



TH	THAILAND
----	----------

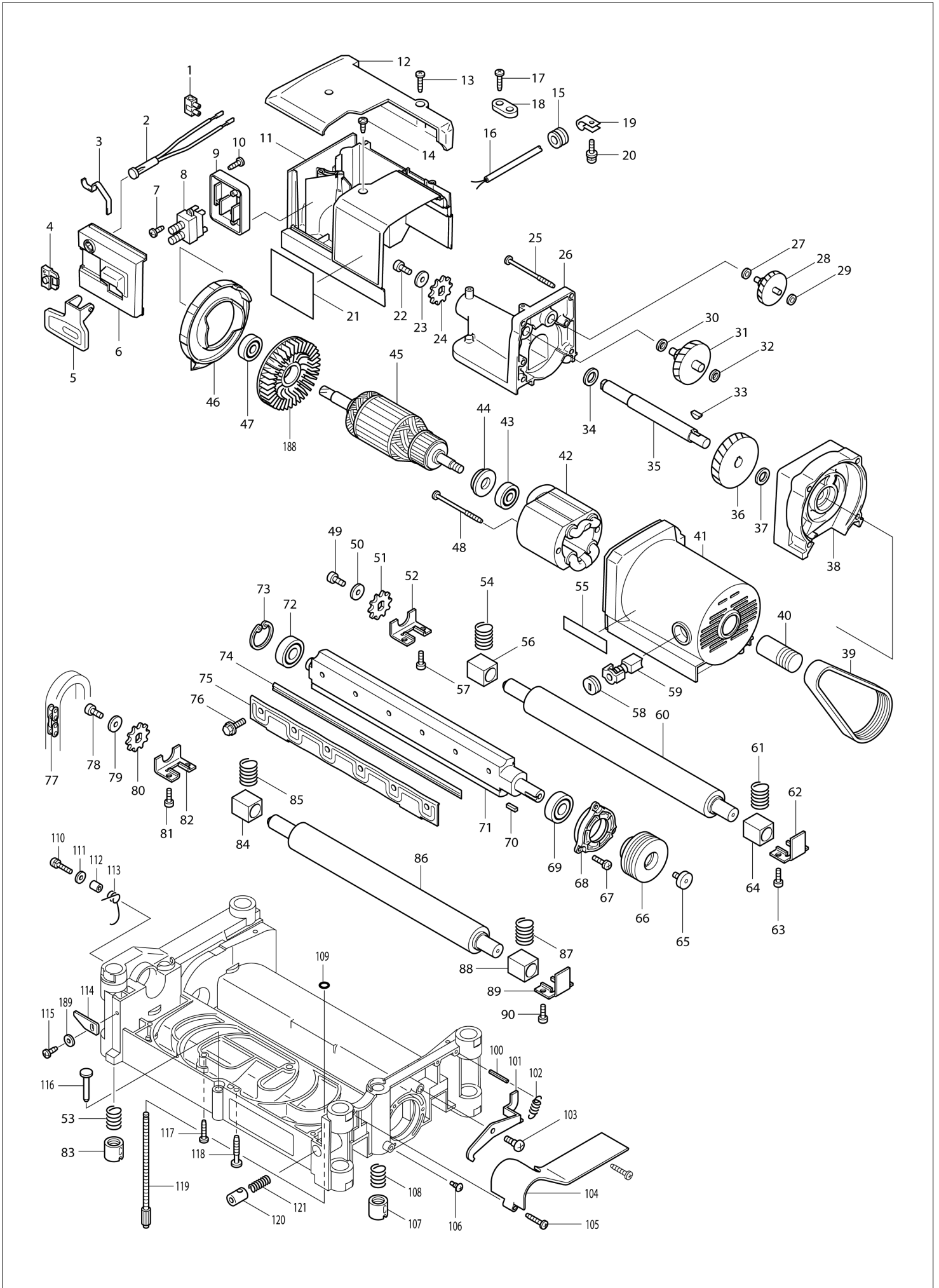
# Diagram / Parts List

**2012NB**

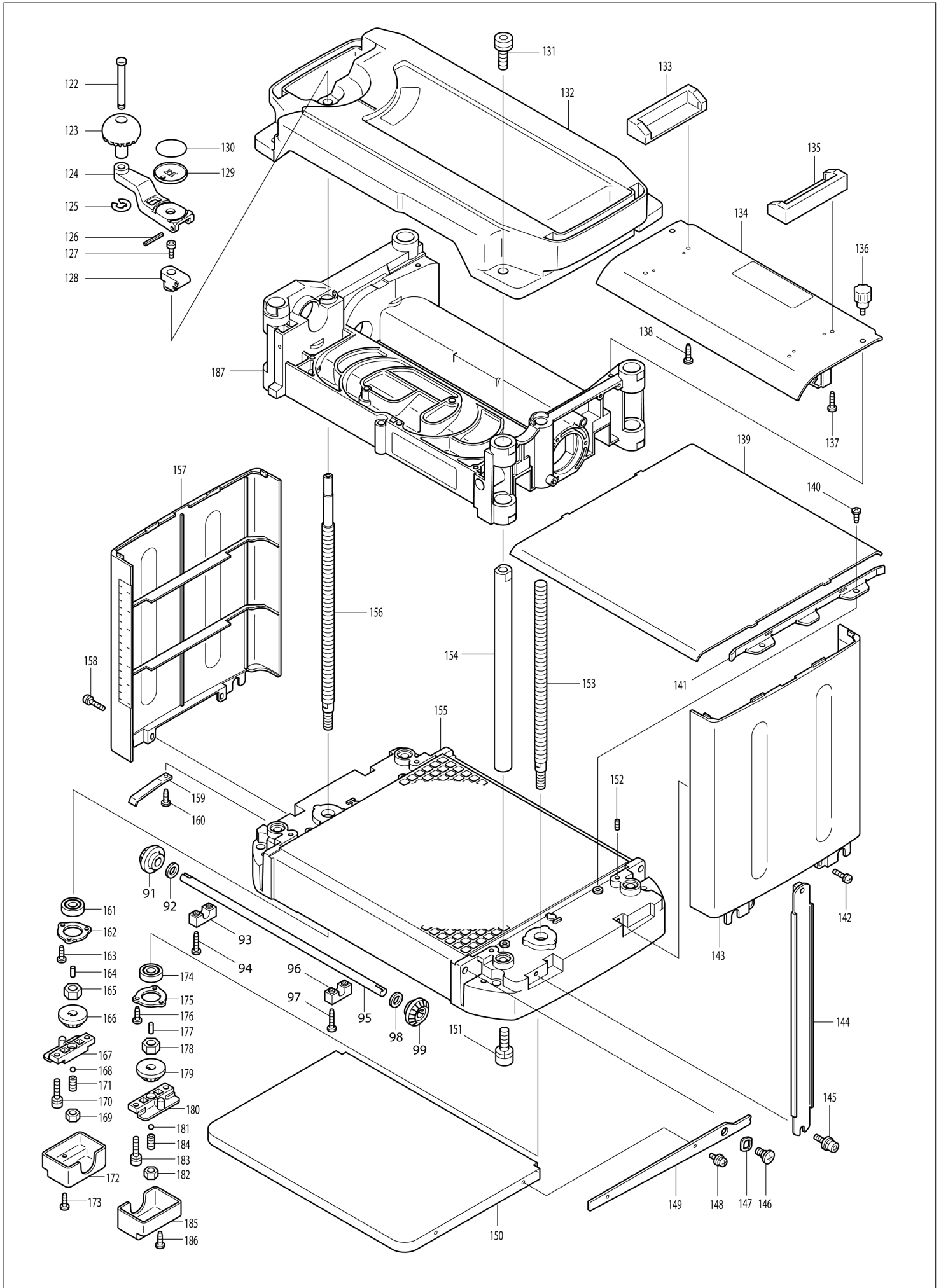
**PLANER 304MM**



(TH) 2012NB / PLANER 304MM



(TH) 2012NB / PLANER 304MM



TH	THAILAND
----	----------

### 2012NB / PLANER 304MM

Item	Sub	Parts No.	Parts Description	Qty	I/C	E/C No.	Close No.	Remark
001		654561-8	TERMINAL BLOCK	1				
002A		631371-0	PILOT LAMP COMPLETE	1				
005		417031-6	SWITCH LEVER	1				
006		417037-4	SWITCH COVER	1				
007		265954-0	TAPPING SCREW BIND PT3X8	2				
008		651510-6	SWITCH ALA263	1			90039	
008-1		651529-5	SWITCH ELE115AY	1	O	90039		
009		417044-7	SWITCH BASE	1				
010		266192-7	TAPPING SCREW 4X14	3				
011		417041-3	SWITCH BOX	1				
012		417038-2	SWITCH BOX COVER	1				
013		265995-6	TAPPING SCREW 4X18	2				
014		266026-4	TAPPING SCREW BIND CT 4X12	2				
015		682539-1	GROMMET	1				
016F		691015-4	POWER SUPPLY CORD 0.75-2-2.5	1				
017		265995-6	TAPPING SCREW 4X18	2				
018A		687053-2	STRAIN RELIEF	1			A7453	
018A1		687140-7	STRAIN RELIEF	1	O	A7453		
019		687042-7	STRAIN RELIEF	1				
020		911118-1	PAN HEAD SCREW M4X12	1			64183	
020-1		911128-8	P.H.SCREW M4X16 WITH WR	1	O	64183		
021		851968-1	NAME PLATE 2012NB	1				
022		922317-0	HEX. SOCKET HEAD BOLT M6X14	1				
022-1		922312-0	HEX. SOCKET HEAD BOLT M6X12	1	X	61268		
023		267080-1	FLAT WASHER 6	1				
024		221525-3	SPROCKET 10	1				
025		266059-9	TAPPING SCREW 5X75	4				
026		151739-9	GEAR HOUSING COVER COMPLETE	1				
	C10	214014-5	PLANE BEARING 6	1				
	C20	214022-6	PLANE BEARING 8	1				
	C30	214156-5	PLANE BEARING 14	1				
	C40	256041-6	PIN 6	2				
027		253715-0	FLAT WASHER 6	1				
028		226134-3	GEAR COMPLETE 8-50	1				
029		253715-0	FLAT WASHER 6	1				
030		253215-0	FLAT WASHER 8	1				
031		226135-1	GEAR COMPLETE 8-46	1				
032		253215-0	FLAT WASHER 8	1				
033		254001-2	WOODRUFF KEY 4	1				
034		253760-5	FLAT WASHER 14	1				
035		323923-8	DRIVE SHAFT	1				
036		226518-5	HELICAL GEAR 47	1				
037		253744-3	FLAT WASHER 12	1				
038		151738-1	GEAR HOUSING COMPLETE	1				
	C10	214014-5	PLANE BEARING 6	1				
	C20	214022-6	PLANE BEARING 8	1				
	C30	214109-4	PLANE BEARING 12	1				
039		225083-1	POLY V-BELT 8-341	1				
040		222155-3	V-PULLEY 8-23.5L	1				
041		151737-3	MOTOR HOUSING COMPLETE	1				
	C10	643660-1	BRUSH HOLDER 6.5-13.5	2			74692	
	C11	643653-8	BRUSH HOLDER 6.5-13.5	2	O	74692		
042A		526103-7	FIELD ASS'Y 220V	1				
	C10	654020-2	RING TERMINAL	2				
	C20	654502-4	CONNECTOR P-2	2				
043		211087-9	BALL BEARING 6200DDW	1			DR345	
043-1		210313-3	BALL BEARING 6200DDW	1	O	DR345		
044		681623-9	INSULATION WASHER	1				
045B		516813-4	ARMATURE ASSY 220-240V	1			DR345	
	D10		INC. 43,44,47,188				DR345	
045B1		510595-0	ARMATURE ASSY 220-240V	1	O	DR345		
	D10		INC. 43,44,47,188			DR345		
046		417033-2	BAFFLE PLATE	1				
047		211087-9	BALL BEARING 6200DDW	1			DR345	
047-1		210313-3	BALL BEARING 6200DDW	1	O	DR345		

A:2012NB(H)

Interchange  
O : Yes  
X : No  
< : the new part can be substituted for the current.  
> : the current part can be substituted for the new.  
S : Interchangeable as a set.

TH	THAILAND
----	----------

### 2012NB / PLANER 304MM

Item	Sub	Parts No.	Parts Description	Qty	I/C	E/C No.	Close No.	Remark
048		266059-9	TAPPING SCREW 5X75	2				
049		922317-0	HEX. SOCKET HEAD BOLT M6X14	1				
049-1		922312-0	HEX. SOCKET HEAD BOLT M6X12	1	X	61268		
050		267080-1	FLAT WASHER 6	1				
051		221525-3	SPROCKET 10	1				
052		343844-8	METAL COVER (B)	1				
053		233016-2	COMPRESSION SPRING 15	1				
054		231459-2	COMPRESSION SPRING 13	1				
056		214251-1	PLANE BEARING 17	1				
057		922221-3	HEX. SOCKET HEAD BOLT M5X16	2				
058		643650-4	BRUSH HOLDER CAP 6.5-13.5	2			B0305	
058-1		643650-4	BRUSH HOLDER CAP 6.5-13.5	2	O	B0305		
059A		181044-0	CARBON BRUSH CB-153	1			85070	
059A1		B-80329	CARBON BRUSH SET CB-153A	1	<	85070		
060		162216-6	ROLLER 34-295	1				
061		231459-2	COMPRESSION SPRING 13	1				
062		341685-6	METAL COVER (A)	1				
063		922221-3	HEX. SOCKET HEAD BOLT M5X16	2				
064		214251-1	PLANE BEARING 17	1				
065		265854-4	HEX. SOCKET HEAD BOLT M6X12	1				
066		222154-5	V-PULLEY 8-54	1				
067		911128-8	P.H.SCREW M4X16 WITH WR	3				
068		317259-5	BEARING BOX	1				
069		211206-7	BALL BEARING 6202LLB	1			DR345	
069-1		210314-1	BALL BEARING 6202LLB	1	O	DR345		
070		254204-8	KEY 4	1				
071		323928-8	DRUM	1				
072		211206-7	BALL BEARING 6202LLB	1			DR345	
072-1		210314-1	BALL BEARING 6202LLB	1	O	DR345		
073		962153-2	RETAINING RING R-35	1				
074		793346-8	PLANER BLADE 306	1			63232	
074-1		793350-7	PLANER BLADE 306	1	S	63232	Y08085	
074-2		199911-5	PLANER BLADE 306 SET	1	O	Y08085		
075		343682-8	SET PLATE	2			63232	
075-1		343692-5	SET PLATE	2	S	63232		
076		251609-3	HEX. FLANGE HEAD BOLT M6X17	12				
077		225520-5	CHAIN 35-46	1				
078		922317-0	HEX. SOCKET HEAD BOLT M6X14	1				
078-1		922312-0	HEX. SOCKET HEAD BOLT M6X12	1	X	61268		
079		267080-1	FLAT WASHER 6	1				
080		221525-3	SPROCKET 10	1				
081		922221-3	HEX. SOCKET HEAD BOLT M5X16	2				
082		343844-8	METAL COVER (B)	1				
083		252426-4	NUT M14	1				
084		214251-1	PLANE BEARING 17	1				
085		231459-2	COMPRESSION SPRING 13	1				
086		162216-6	ROLLER 34-295	1				
087		231459-2	COMPRESSION SPRING 13	1				
088		214251-1	PLANE BEARING 17	1				
089		341685-6	METAL COVER (A)	1				
090		922221-3	HEX. SOCKET HEAD BOLT M5X16	2				
091		226786-0	STRAIGHT BEVEL GEAR 15	1				
092		253828-7	FLAT WASHER 10	1				
093		417034-0	SHAFT RETAINER	1				
094		266040-0	TAPPING SCREW CT 4X25	2				
095		323926-2	SHAFT 10	1				
096		417034-0	SHAFT RETAINER	1				
097		266040-0	TAPPING SCREW CT 4X25	2				
098		253828-7	FLAT WASHER 10	1				
099		226786-0	STRAIGHT BEVEL GEAR 15	1				
100		951122-8	SPRING PIN 4-28	1				
101		344815-8	LOCK PLATE	1				
102		231793-0	TENSION SPRING 5	1				
103		251283-7	+ PAN HEAD SCREW M5	1				
104		417035-8	BELT COVER	1				

A:2012NB(H)

Interchange  
O : Yes  
X : No  
< : the new part can be substituted for the current.  
> : the current part can be substituted for the new.  
S : Interchangeable as a set.

TH	THAILAND
----	----------

### 2012NB / PLANER 304MM

Item	Sub	Parts No.	Parts Description	Qty	I/C	E/C No.	Close No.	Remark
105		266040-0	TAPPING SCREW CT 4X25	2				
106		251322-3	+ PAN HEAD SCREW M5X12	2				
107		252427-2	NUT M14L	1				
108		233016-2	COMPRESSION SPRING 15	1				
109		213009-5	O RING 4	1				
110		911233-1	PAN HEAD SCREW M5X20	1				
111		253194-2	FLAT WASHER 5	1				
112		257600-9	SLEEVE 6	1				
113		231588-1	TORSION SPRING 9	1				
114		344068-9	POINTER	1				
115		266026-4	TAPPING SCREW BIND CT 4X12	1				
116		322229-1	GAUGE	1				
117		266040-0	TAPPING SCREW CT 4X25	2				
118		266173-1	TAPPING SCREW 5X30	2				
119		265736-0	SCREW M6X135	1				
120		323927-0	HALF NUT	1				
121		231226-5	COMPRESSION SPRING 11	1				
122		256688-6	PIN 8	1				
123		271296-2	KNOB 45	1				
124		272026-4	HANDLE 160	1			69399	
124-1		272028-0	HANDLE 160	1	<	69399		
125		961012-7	STOP RING E-6	1				
126		951122-8	SPRING PIN 4-28	1				
127		266086-6	HEX. SOCKET HEAD BOLT M5X16	1				
128		317261-8	JOINT	1			69399	
128-1		317760-0	JOINT	1	<	69399		
129		417032-4	GAUGE	1				
130A		816358-5	SCALE LABEL	1				
131		266240-2	HEX. SOCKET HEAD BOLT M10X25	4				
132		151920-2	TOP COVER COMPLETE	1			69399	
	C10	816359-3	INDICATION LABEL	1			69399	
	C20	817737-0	CAUTION LABEL	1			69399	
132-1		153781-6	TOP COVER COMPLETE	1	<	69399		
	C10	816359-3	INDICATION LABEL	1		69399		
	C20	817737-0	CAUTION LABEL	1		69399		
133		417036-6	TOOL BOX HOLDER	1				
134		165272-5	CHIP COVER	1			68904	
134-1		165379-7	CHIP COVER	1	O	68904		
135		417036-6	TOOL BOX HOLDER	1				
136		265716-6	SCREW M5X10	2				
137		265995-6	TAPPING SCREW 4X18	2				
138		265995-6	TAPPING SCREW 4X18	2				
139		344816-6	TABLE PLATE	1				
140		266026-4	TAPPING SCREW BIND CT 4X12	4				
141		344819-0	GUIDE PLATE	2				
142		911128-8	P.H.SCREW M4X16 WITH WR	2				
143		417040-5	SIDE COVER	1				
144		344820-5	SIDE BEAM	2				
145		922323-5	HEX.SOCKET HEAD BOLT M6X16	4				
146		251217-0	+ BINDING HEAD SCREW M8	4				
147		253932-2	WAVE WASHER 10	4				
148		911108-4	PAN HEAD SCREW M4X8	8				
149		344818-2	ARM	4				
150		344817-4	SUB TABLE PLATE	2				
151		266240-2	HEX. SOCKET HEAD BOLT M10X25	4				
152		266213-5	H.S.SET SCREW(FLAT POINT)M5X12	4				
153		323925-4	SCREW L	1				
154		331562-0	COLUMN 20	4				
155		317266-8	TABLE	1			69399	
155-1		317763-4	TABLE	1	<	69399		
156		323924-6	SCREW R	1				
157		151886-6	SIDE COVER COMPLETE	1				
	C10	816354-3	SCALE LABEL	1				
158		911128-8	P.H.SCREW M4X16 WITH WR	2				
159		232195-3	LEAF SPRING	2				

A:2012NB(H)

Interchange  
O : Yes  
X : No  
< : the new part can be substituted for the current.  
> : the current part can be substituted for the new.  
S : Interchangeable as a set.

