



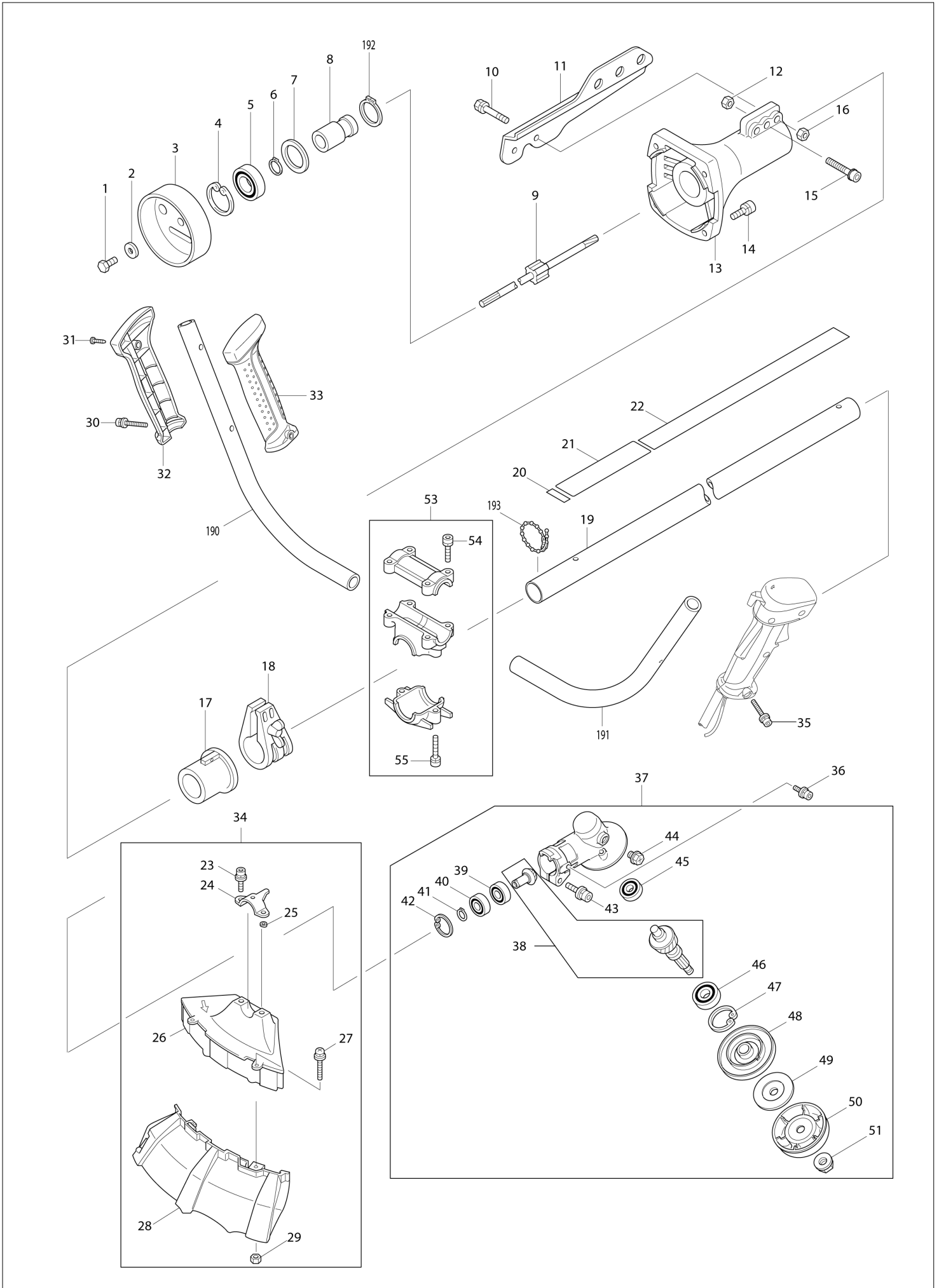
TH	THAILAND
----	----------

Diagram / Parts List

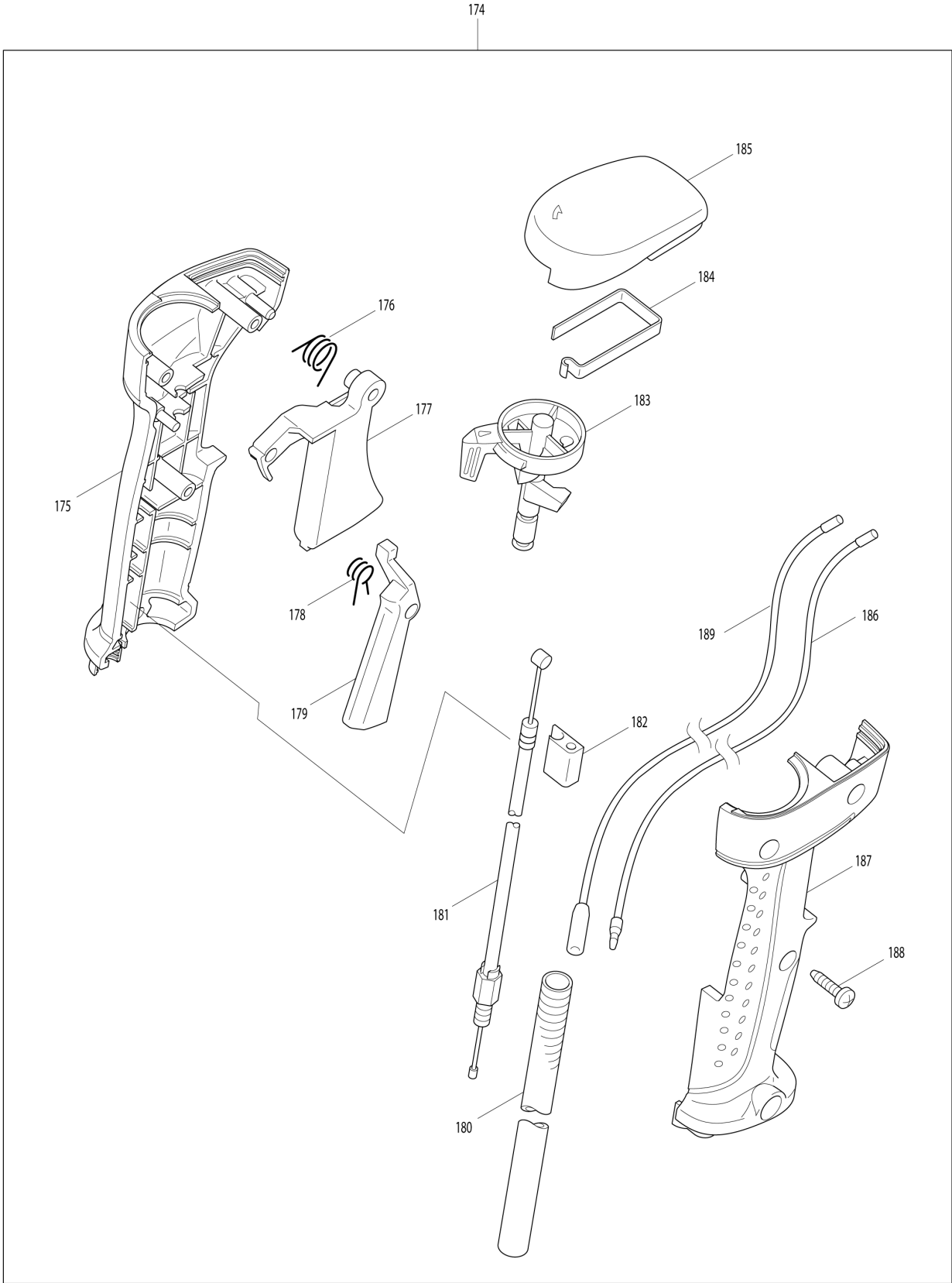
RBC411U
BRUSH CUTTER



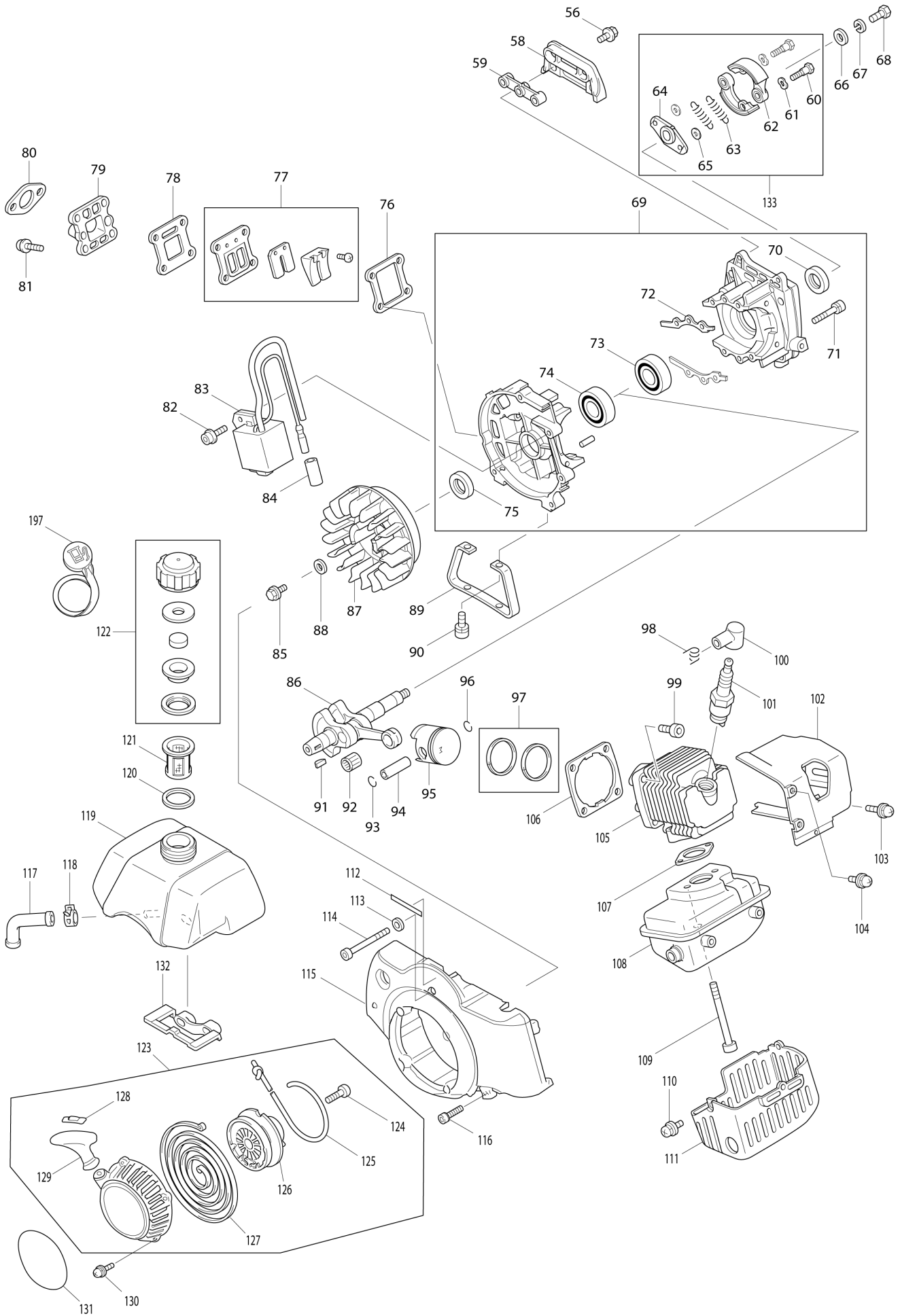
(TH) RBC411U / BRUSH CUTTER



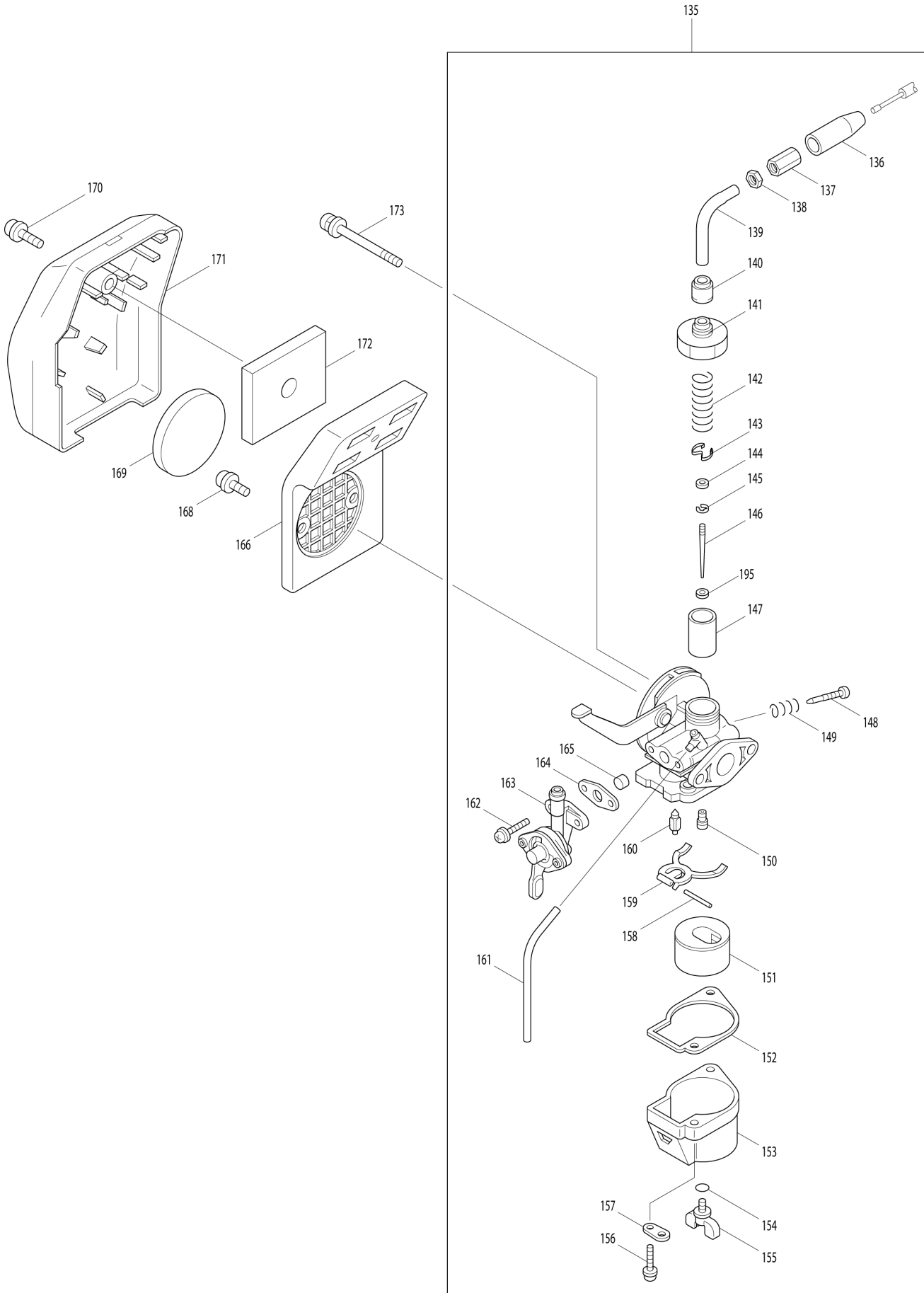
(TH) RBC411U / BRUSH CUTTER



(TH) RBC411U / BRUSH CUTTER



(TH) RBC411U / BRUSH CUTTER



TH	THAILAND
----	----------

RBC411U / BRUSH CUTTER

Item	Sub	Parts No.	Parts Description	Qty	I/C	E/C No.	Close No.	Remark
001		266598-9	HEX. HEAD BOLT M6X14	1			B5217	
001-1		251527-5	HEX. HEAD BOLT M6X14	1	<	B5217		
002		267429-5	FLAT WASHER 6	1				
003		141689-6	CLUTCH DRUM COMPLETE	1				
004		962153-2	RETAINING RING R-35	1				
005		210126-2	BALL BEARING 6003LLU	1				
006		961057-5	RETAINING RING S-17	1				
007		267445-7	WASHER 24.5	1				
008		424403-8	DAMPER	1				
009		142144-1	SHAFT COMPLETE	1				
010		922353-6	HEX.SOCKET HEAD BOLT M6X30	2				
011		346356-0	HANGER	1				
012		931302-2	HEX. NUT M6	1				
013		140628-3	CLUTCH CASE COMPLETE	1				
	C10	257289-3	SPACER	1		Y07622		
014		922336-6	HEX. SOCKET HEAD BOLT M6X22	4				
015		922358-6	H.S.H.BOLT M6X35 WITH WR	1				
016		931302-2	HEX. NUT M6	2				
017		452287-4	STOPPER	1				
018		140629-1	STOPPER COMPLETE	1				
	C10	941151-9	FLAT WASHER 6	1				
019		141925-0	SHAFT PIPE COMPLETE	1			Z24647	
	C10	808723-2	CAUTION LABEL	1			Z24647	
	D10		INC. 22				Z24647	
019-1		142965-1	SHAFT PIPE COMPLETE	1	O	Z24647		
	C10	808723-2	CAUTION LABEL	1		Z24647		
	D10		INC. 22			Z24647		
020		814E64-6	SERIAL NO. LABEL	1			Z24647	
020-1		897924-7	SERIAL NO. LABEL	1	O	Z24647		
021		819312-8	MAKITA LOGO LABEL	1			B9999	
022		800K40-2	CAUTION LABEL	1			Z24647	
022-1		805E57-4	CAUTION LABEL	1	X	Z24647	B9999	
022-2		812T76-3	CAUTION LABEL	1	S	B9999		
030		922256-4	HEX. SOCKET HEAD BOLT M5X35	1				
031		266326-2	TAPPING SCREW 4X18	1			C0991	
031-1		265652-6	TAPPING SCREW 4X18	1	O	C0991		
032		188659-4	GRIP SET	1				
	D10		INC. 33					
033		188659-4	GRIP SET	1				
	D10		INC. 32					
035		922256-4	HEX. SOCKET HEAD BOLT M5X35	1				
036		922218-2	H.S.H.BOLT M5X14 WITH WR	2				
037		126310-8	GEAR CASE ASSEMBLY	1			C1488	
	C10	213459-4	O RING 32	1			C1488	
	D10		INC. 38-51				C1488	
037-1		123835-3	GEAR CASE ASSEMBLY	1	S	C1488	D7611	
	D10		INC. 38-51			C1488	D7611	
037-2		126742-9	GEAR CASE ASSEMBLY	1	O	D7611		
	D10		INC. 38-51			D7611		
038		187644-4	CUTTER SHAFT SET	1			C1488	
038-1		183K07-8	CUTTER SHAFT SET	1	O	C1488	D7611	
038-2		183U80-8	CUTTER SHAFT SET	1	O	D7611		
039		211064-1	BALL BEARING 6000	1			C1637	
039-1		210172-5	BALL BEARING 6000	1	O	C1637	C1488	
039-2		210161-0	BALL BEARING 6000	1	>	C1488	D7611	
039-3		211064-1	BALL BEARING 6000	1	O	D7611		
040		211062-5	BALL BEARING 6000ZZ	1			C1488	
040-1		210160-2	BALL BEARING 6000ZZ	1	>	C1488	D7611	
040-2		211062-5	BALL BEARING 6000ZZ	1	O	D7611		
041		961006-2	RETAINING RING S-10	1			C1488	
041-1		257408-1	RETAINING RING(EXT) S-10	1	O	C1488	D7611	
041-2		961006-2	RETAINING RING S-10	1	O	D7611		
042		962105-3	RETAINING RING R-26	1			C1488	
042-1		257988-7	RETAINING RING (INT) R-26	1	O	C1488	D7611	
042-2		962105-3	RETAINING RING R-26	1	O	D7611		

Interchange
O : Yes
X : No
< : the new part can be substituted for the current.
> : the current part can be substituted for the new.
S : Interchangeable as a set.

TH	THAILAND
----	----------

RBC411U / BRUSH CUTTER

Item	Sub	Parts No.	Parts Description	Qty	I/C	E/C No.	Close No.	Remark
043		922353-6	HEX.SOCKET HEAD BOLT M6X30	1				
044		265590-2	+HEX.BOLT M8X10 WITH R	1				
045		210081-8	BALL BEARING 629ZZ	1			C1488	
045-1		210159-7	BALL BEARING 629ZZ	1	>	C1488	D7611	
045-2		210081-8	BALL BEARING 629ZZ	1	O	D7611		
046		210116-5	BALL BEARING 6201LLU	1				
047		962151-6	RETAINING RING R-32	1			C1488	
047-1		257409-9	RETAINING RING(INT) R-32	1	O	C1488	D7611	
047-2		962151-6	RETAINING RING R-32	1	O	D7611		
048		331860-2	RECEIVE WASHER	1			A2521	
048-1		332114-0	RECEIVE WASHER	1	<	A2521	C1488	
048-2		326823-1	RECEIVE WASHER	1	O	C1488	D7611	
048-3		332114-0	RECEIVE WASHER	1	O	D7611		
049		346355-2	CLAMP WASHER	1			D7611	
049-1		347946-2	CLAMP WASHER	1	O	D7611		
050		168526-9	CUP	1			D7611	
050-1		162B34-4	CUP	1	O	D7611		
051		264025-0	HEX. NUT M10-17	1			D7611	
051-1		252307-2	HEX.NUT M10-17	1	O	D7611		
053		135614-7	HANDLE HOLDER ASS'Y	1			DC920	
	D10		INC. 54,55				DC920	
053-1		136665-3	HANDLE HOLDER ASS'Y	1	<	DC920		
	D10		INC. 54,55			DC920		
054		922241-7	HEX. SOCKET HEAD BOLT M5X25	4				
055		922351-0	HEX. SOCKET HEAD BOLT M6X30	2				
056		266595-5	HEX. HEAD BOLT M5X14	2				
058		168586-1	FUEL TANK BRACKET ASSEMBLY	1			A8052	
058-1		455434-6	FUEL TANK BRACKET	1	S	A8052	B4123	
058-2		456344-0	FUEL TANK BRACKET	1	O	B4123		
059		424335-9	BRACKET DAMPER	1			A8052	
059-1		424660-8	BRACKET DAMPER	1	S	A8052		
060-1		266894-5	SHOULDER HEX. BOLT M8	2			B4342	
060-2		251523-3	SHOULDER HEX. BOLT M8	2	O	B4342		
061		267849-3	WAVE WASHER 10	2			B4342	
061-1		253385-5	WAVE WASHER 10	2	O	B4342		
062		168622-3	CLUTCH SHOE	2			B4342	
062-1		161465-2	CLUTCH SHOE	2	S	B4342		
063		231869-3	SPRING	2			B4342	
063-1		AN23010C00	SPRING	2	S	B4342		
064		313197-9	HOLDER	1			B4342	
064-1		310774-8	HOLDER	1	O	B4342		
065		267428-7	FLAT WASHER 8	2			B4342	
065-1		253384-7	FLAT WASHER 8	2	O	B4342		
066		267429-5	FLAT WASHER 6	1				
067		942151-2	SPRING WASHER 6	1			C3118	
067-1		253428-3	SPRING WASHER 6	1	O	C3118		
068		266598-9	HEX. HEAD BOLT M6X14	1			B5217	
068-1		251527-5	HEX. HEAD BOLT M6X14	1	<	B5217		
069		135558-1	CRANKCASE ASSEMBLY	1				
	D10		INC. 70-75					
070		213546-9	OIL SEAL 15	1				
071		922251-4	HEX. SOCKET HEAD BOLT M5X30	4			B9377	
071-1		922252-2	HEX. SOCKET HEAD BOLT M5X30	4	O	B9377		
072		442157-5	CRANKCASE GASKET	1				
073		211483-1	BALL BEARING 6202	1				
074		211483-1	BALL BEARING 6202	1				
075		213546-9	OIL SEAL 15	1				
076		442160-6	LEAD VALVE GASKET	1				
077		125796-3	LEAD VALVE ASSEMBLY	1				
078		442158-3	INSULATOR GASKET	1				
079		451999-6	INSULATOR ASSEMBLY	1				
080		442159-1	CARBURETOR GASKET	1				
081		266590-5	HEX.S.HEAD BOLT M5X20 WITH WR	4			A1921	
081-1		266903-0	HEX.S.HEAD BOLT M5X20 WITH WR	4	<	A1921		
082		922236-0	HEX. SOCKET HEAD BOLT M5X22	2				

Interchange
O : Yes
X : No
< : the new part can be substituted for the current.
> : the current part can be substituted for the new.
S : Interchangeable as a set.

TH	THAILAND
-----------	-----------------

RBC411U / BRUSH CUTTER

Item	Sub	Parts No.	Parts Description	Qty	I/C	E/C No.	Close No.	Remark
083		168587-9	IGNITION COIL	1				
	C10	140885-3	WIRE COMPLETE	1				
084		422059-1	TUBE	1				
085		266596-3	HEX. HEAD BOLT M6X16 WITH W	1				
086		142159-8	CRANKSHAFT COMPLETE	1				
087		318632-2	FLYWHEEL	1				
088		267427-9	FLAT WASHER 7	1				
089		346286-5	STAND	1				
090		922316-2	HEX. SOCKET HEAD BOLT M6X14	2				
091		254040-2	WOODRUFF KEY 3	1				
092		212085-6	NEEDLE CAGE1014	1			B5629	
092-1		212183-6	NEEDLE CAGE 1014	1	O	B5629		
093		233983-1	CLIP	1				
094		257797-4	PISTON PIN	1				
095		318631-4	PISTON	1				
096		233983-1	CLIP	1				
097		257309-3	PISTON RING	2				
098		324891-8	PLUG CAP SPRING	1				
099		922327-7	HEX. SOCKET HEAD BOLT M6X18	4			C1328	
099-1		922332-4	HEX. SOCKET HEAD BOLT M6X20	4	O	C1328		
100		424337-5	PLUG CAP	1				
101		168588-7	SPARK PLUG	1				
102		452003-4	CYLINDER COVER	1			B7495	
102-1		456035-3	CYLINDER COVER	1	S	B7495		
103		911233-1	PAN HEAD SCREW M5X20	1			A6389	
103-1		0140059330	SCREW M5X20(W,SW)	1	<	A6389	A8718	
103-2		265A08-9	PAN HEAD SCREW M5X20	1	O	A8718	B3148	
103-3		266963-2	PAN HEAD SCREW M5X20 WITH WR	1	O	B3148		
104		911218-7	PAN HEAD SCREW M5X14	1			A6389	
104-1		266677-3	PAN HEAD SCREW M5X14	1	<	A6389	B3148	
104-2		266962-4	PAN HEAD SCREW M5X14 WITH WR	1	O	B3148		
105		318630-6	CYLINDER	1				
106		442156-7	CYLINDER GASKET	1				
107		168584-5	MUFFLER GASKET	1				
108		168589-5	EXHAUST MUFFLER	1			B4354	
108-1		161573-9	MUFFLER	1	O	B4354		
109		266589-0	HEX. SOCKET HEAD BOLT M6X60	2				
110		911218-7	PAN HEAD SCREW M5X14	3			A6389	
110-1		266677-3	PAN HEAD SCREW M5X14	3	<	A6389	B3148	
110-2		266962-4	PAN HEAD SCREW M5X14 WITH WR	3	O	B3148		
111		451998-8	MUFFLER COVER	1				
112		819967-9	SERIAL NO. LABEL	1			Z24647	
112-1		850C22-6	SERIAL NO. LABEL	1	O	Z24647		
113		941102-2	FLAT WASHER 5	1			B7495	
114		266592-1	HEX. SOCKET HEAD BOLT M5X50	1			B7495	
114-1		922236-0	HEX. SOCKET HEAD BOLT M5X22	1	S	B7495		
115		452002-6	BLOWER HOUSING	1			B7495	
115-1		456034-5	BLOWER HOUSING	1	S	B7495		
116		922236-0	HEX. SOCKET HEAD BOLT M5X22	2				
117		422060-6	FUEL TUBE	1				
118		346285-7	HOSE CLAMP	1				
119		452004-2	FUEL TANK	1				
120		423412-4	GASKET	1			B3219	
121		168585-3	FUEL FILTER	1			B3219	
121-1		161446-6	FUEL FILTER	1	S	B3219		
122		125799-7	FUEL TANK CAP ASSEMBLY	1				
123		126108-3	RECOIL STARTER ASSEMBLY	1			A1116	
	D10		INC. 124-129				A1116	
123-1		126364-5	RECOIL STARTER ASSEMBLY	1	O	A1116		
	D10		INC. 124-129			A1116		
124		266634-1	SET SCREW M6X20	1			A1116	
124-1		266634-1	SET SCREW M6X20	1	O	A1116	Y07633	
124-2		SG00000013	SET SCREW M6X20	1	O	Y07633		
125		444027-4	STARTER ROPE	1			A1116	
125-1		SG00000019	STARTER ROPE	1	X	A1116		

Interchange
O : Yes
X : No
< : the new part can be substituted for the current.
> : the current part can be substituted for the new.
S : Interchangeable as a set.

TH	THAILAND
----	----------

RBC411U / BRUSH CUTTER

Item	Sub	Parts No.	Parts Description	Qty	I/C	E/C No.	Close No.	Remark
126		453466-7	REEL	1			A1116	
126-1		452288-2	REEL	1	O	A1116		
127		232262-4	SPIRAL SPRING	1			A1116	
127-1		SG00000018	SPIRAL SPRING	1	X	A1116		
128		424360-0	ROPE STOPPER	1			A1116	
128-1		424360-0	ROPE STOPPER	1	O	A1116		
129		424361-8	STARTER KNOB	1			A1116	
129-1		424361-8	STARTER KNOB	1	O	A1116		
130		911218-7	PAN HEAD SCREW M5X14	4				
131		801A87-9	RBC411U MODEL NO. LABEL	1				
132		424336-7	FUEL TANK DAMPER	1				
133-1		125829-4	CLUTCH ASSEMBLY	1			B4342	
	D10		INC. 60-65				B4342	
133-2		123885-8	CLUTCH ASSEMBLY	1	O	B4342		
	D10		INC. 60-65			B4342		
135		168590-0	CARBURETOR	1			B6949	
	D10		INC. 136-165				B6949	
135-1		161445-8	CARBURETOR	1	O	B6949		
136		286290-1	CAP	1			B6949	
136-1		RX00000014	RUBBER COVER A	1	X	B6949		
137		325997-5	ADJUSTER CABLE	1			B6949	
137-1		RX00000015	THROTTLE CABLE ADJUSTING NUT	1	X	B6949		
138		264045-4	NUT	1			B6949	
138-1		RX00000016	NUT M6	1	X	B6949		
139		331923-4	CABLE GUIDE	1			B6949	
139-1		RX00000017	THROTTLE CABLE TUBE	1	X	B6949		
140		286291-9	CAP	1			B6949	
140-1		RX00000018	RUBBER COVER	1	X	B6949		
141		286035-7	MIXING CAP	1			B6949	
141-1		RX00000019	PISTON CAP	1	X	B6949		
142		234199-1	SPRING	1			B6949	
142-1		RX00000013	PISTON SPRING	1	X	B6949		
143		346348-9	SPRING PLATE	1			B6949	
143-1		RX00000012	PRESSURE SPRING	1	X	B6949		
144		452279-3	PACKING	2			B6949	
144-1		RX00000011	WASHER	2	X	B6949		
145		259049-9	E-RING	1			B6949	
145-1		RX00000010	E RING 1.5	1	X	B6949		
146		325998-3	JET NEEDLE	1			B6949	
146-1		RX00000008	MAIN NEEDLE	1	X	B6949		
147		318666-5	PISTON VALVE	1			B6949	
147-1		RX00000009	SLIDE(PISTON)VALVE	1	X	B6949		
148		266632-5	ADJUST SCREW	1			B6949	
148-1		RX00000007	IDLE SCREW	1	X	B6949		
149		234198-3	SPRING	1			B6949	
149-1		RX00000006	SPRING	1	X	B6949		
150		325999-1	MAIN JET	1			B6949	
150-1		RX00000003	MAIN JET	1	X	B6949		
151		452280-8	FLOAT	1			B6949	
151-1		RX00000004	FLOAT	1	X	B6949		
152		442162-2	GASKET	1			B6949	
152-1		RX00000005	CHAMBER GASKET	1	X	B6949		
153		318667-3	FLOAT BODY	1			B6949	
153-1		310716-2	FLOAT CHAMBER	1	X	B6949		
154		213590-6	O RING	1			B6949	
154-1		RX00000002	O-RING	1	X	B6949		
155		265793-8	WING BOLT M5X5	1			B6949	
155-1		RX00000001	DRAIN SCREW	1	X	B6949		
156		266633-3	PAN HEAD SCREW M4X16	2			B6949	
156-1		RX00000027	SCREW M4X16	2	X	B6949		
157		346349-7	PLATE	1			B6949	
157-1		RX00000029	BRACKET	1	X	B6949		
158		268270-9	STRAIGHT PIN	1			B6949	
158-1		RX00000024	FLOAT PIN	1	X	B6949		
159		346350-2	FLOAT ARM	1			B6949	

Interchange
O : Yes
X : No
< : the new part can be substituted for the current.
> : the current part can be substituted for the new.
S : Interchangeable as a set.

TH	THAILAND
-----------	-----------------

RBC411U / BRUSH CUTTER

Item	Sub	Parts No.	Parts Description	Qty	I/C	E/C No.	Close No.	Remark
159-1		RX00000025	FLOAT LEVER	1	X	B6949		
160		163519-1	NEEDLE	1			B6949	
160-1		RX00000023	INLET NEEDLE VALVE W/CLIP	1	X	B6949		
161		422069-8	HOSE	1			B6949	
161-1		RX00000028	CLEAR HOSE 5-65	1	X	B6949		
162		266619-7	PAN HEAD SCREW	2			B6949	
162-1		RX00000026	SCREW M4X14	2	X	B6949		
163		140633-0	COCK BODY COMPLETE	1			B6949	
163-1		RX00000022	COCK BODY COMPLETE	1	X	B6949		
164		442163-0	GASKET	1			B6949	
164-1		RX00000021	GASKET B	1	X	B6949		
165		352011-4	FILTER	1			B6949	
165-1		RX00000020	FILTER SCREEN	1	X	B6949		
166		452000-0	AIR CLEANER PLATE	1				
168		266591-3	PAN HEAD SCREW M5X14	2				
169		443161-7	ELEMENT	1				
170		911233-1	PAN HEAD SCREW M5X20	1				
171		452001-8	AIR CLEANER COVER	1				
172		443162-5	AIR CLEANER ELEMENT	1				
173		266594-7	PAN HEAD SCREW M5X58 WITH WR	2			B4975	
173-1		251526-7	PAN HEAD SCREW M5X56 WITH WR	2	<	B4975		
174		126236-4	CONTROL LEVER ASSEMBLY	1				
	D10		INC. 175-189					
175		188656-0	LEVER CASE SET	1			A5657	
	D10		INC. 187				A5657	
175-1		183A10-9	LEVER CASE SET	1	S	A5657		
	D10		INC. 187			A5657		
176		233540-5	TORSION SPRING 11	1				
177		451084-5	THROTTLE LEVER	1				
178		233541-3	TORSION SPRING 7	1				
179		451083-7	LOCK OFF LEVER	1				
180		454103-6	CORRUGATE TUBE	1			A7417	
180-1		456082-4	CORRUGATE TUBE	1	O	A7417		
181		168780-5	CONTROL CABLE	1				
182		451081-1	CABLE HOLDER	1				
183		451500-7	SWITCH LEVER	1				
184		232251-9	LEAF SPRING	1				
185		451253-8	SWITCH COVER	1			A5657	
185-1		455723-9	SWITCH COVER	1	S	A5657		
186		632A58-3	LEAD UNIT	1				
187		188656-0	LEVER CASE SET	1			A5657	
	D10		INC. 175				A5657	
187-1		183A10-9	LEVER CASE SET	1	S	A5657		
	D10		INC. 175			A5657		
188		266326-2	TAPPING SCREW 4X18	3			C0991	
188-1		265652-6	TAPPING SCREW 4X18	3	O	C0991		
189		632A59-1	LEAD UNIT	1				
190		332040-3	HANDLE 19R	1				
191		332041-1	HANDLE 19L	1				
192		257974-8	RETAINING RING (EXT)28	1				
193		452193-3	CLAMP	1				
198		922353-6	HEX.SOCKET HEAD BOLT M6X30	1	S	C1488		
A01		196051-0	PROTECTOR SET	1				
	C10	346642-9	PROTECTOR CLAMP	1				
	C20	453874-2	PROTECTOR	1				
	C30	922328-5	H.S.H.BOLT M6X18 WITH WR	2				
A02		125802-4	BAND ASSEMBLY	1			B2448	
A02-1		123633-5	BAND ASSEMBLY	1	X	B2448		
A04		831304-7	ACCESSORY BAG	1				
A05		782235-2	WRENCH 17-19	1				
A06		783223-2	HEX. WRENCH 4	1				
A07		783232-1	HEX. WRENCH 5	1				
A08		195624-6	CUTTER BLADE 305 SET	1			DD272	
A08-1		195624-6	CUTTER BLADE 305 SET	1	O	DD272		
A09		452192-5	FUEL MIXTURE	1			A9254	

Interchange
O : Yes
X : No
< : the new part can be substituted for the current.
> : the current part can be substituted for the new.
S : Interchangeable as a set.

