



TH	THAILAND
----	----------

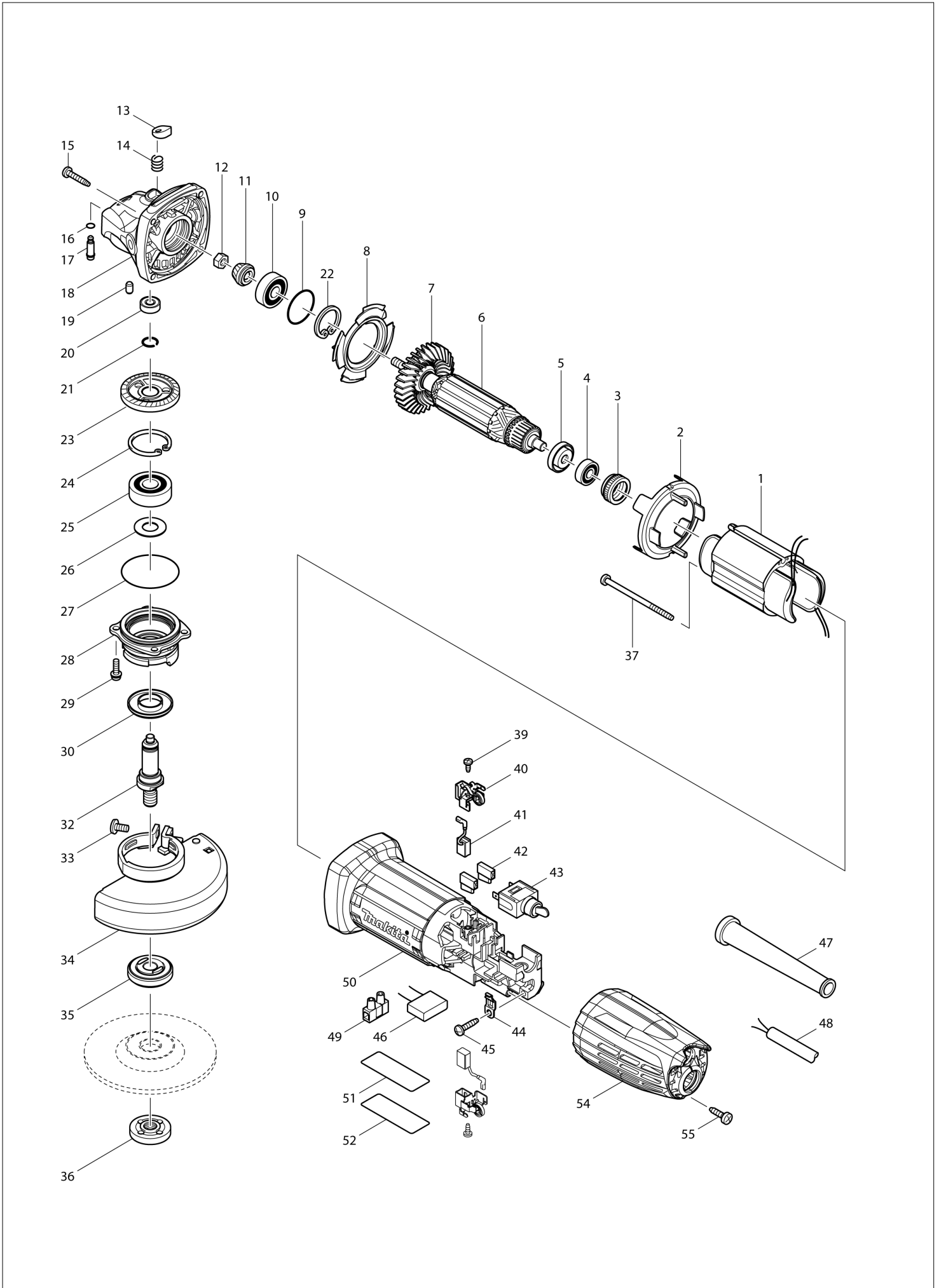
Diagram / Parts List

GA4031

100MM ANGLE GRINDER



(TH) GA4031 / 100MM ANGLE GRINDER



TH	THAILAND
----	----------

GA4031 / 100MM ANGLE GRINDER

Item	Sub	Parts No.	Parts Description	Qty	I/C	E/C No.	Close No.	Remark
001		623538-4	FIELD 220-240V	1			B1442	
001-1		633879-0	FIELD 220-240V	1	O	B1442		
002		450796-7	BAFFLE PLATE	1				
003		421868-5	LABYRINTH RUBBER RING 19	1			DD769	
003-1		422768-2	LABYRINTH RUBBER RING19	1	<	DD769		
004		210034-7	BALL BEARING 607LLB	1			88786	
004-1		211021-9	BALL BEARING 607LLB	1	O	88786		
005		681636-0	INSULATION WASHER	1				
006		517648-6	ARMATURE ASS'Y 220V	1			88786	
	D10		INC. 4,5,7				88786	
006-1		510182-5	ARMATURE ASS'Y 220V	1	O	88786		
	D10		INC. 4,5,7			88786		
007		240107-2	FAN 56	1			97304	
007-1		240139-9	FAN 56	1	O	97304		
008		413126-3	GUIDE PLATE	1				
009		213445-5	O-RING 26	1				
010		211092-6	BALL BEARING 629DDW	1				
011		227545-5	SPIRAL BEVEL GEAR 10	1			DJ258	
011-1		227545-5	SPIRAL BEVEL GEAR 10	1	S	DJ258		
012		252186-8	HEX. NUT M6	1				
013		417771-6	PIN CAP	1				
014		234057-1	COMPRESSION SPRING 8	1				
015		266324-6	TAPPING SCREW 4X22	4			C0991	
015-1		265651-8	TAPPING SCREW 4X22	4	O	C0991		
016		213960-9	O RING 5	1			86890	
016-1		213032-0	O RING 4	1	<	86890		
017		256510-7	SHOULDER PIN 4	1				
018		318335-8	GEAR HOUSING	1				
019		263002-9	RUBBER PIN 4	1				
020		210033-9	BALL BEARING 696ZZ	1			88786	
020-1		210006-2	BALL BEARING 696ZZ	1	O	88786		
021		233950-6	RING SPRING 11	1				
022		962105-3	RETAINING RING R-26	1				
023		227546-3	SPIRAL BEVEL GEAR 37	1			DJ258	
023-1		227546-3	SPIRAL BEVEL GEAR 37	1	S	DJ258		
024		962151-6	RETAINING RING R-32	1				
025		211129-9	BALL BEARING 6201DDW	1				
026		267113-2	FLAT WASHER 12	1			D7262	
026-1		267238-2	FLAT WASHER 12	1	O	D7262		
027		213561-3	O RING 42	1				
028		318336-6	BEARING BOX	1				
029		265099-4	PAN HEAD SCREW M4X14	4				
030		345464-4	LABYRINTH RING	1				
032		324956-6	SPINDLE	1				
033		265180-1	PAN HEAD SCREW M5X16	1				
034		122885-5	WHEEL COVER 100K ASS'Y	1			99814	
	C10	213009-5	O RING 4	1			99814	
	D10		INC. 33				99814	
034-1		125885-4	WHEEL COVER 100AK ASS'Y	1	<	99814	DC806	
	C10	213009-5	O RING 4	1		99814	DC806	
	D10		INC. 33			99814	DC806	
034-2		122B50-8	WHEEL COVER 100AK ASSEMBLY	1	<	DC806		
	C10	213009-5	O RING 4	1		DC806		
	D10		INC. 33			DC806		
035		224314-5	INNER FLANGE 30	1				
036		224559-5	LOCK NUT 10-30	1				
037		266325-4	TAPPING SCREW 4X70	2			C0958	
037-1		265657-6	TAPPING SCREW 4X70	2	O	C0958		
039		266492-5	TAPPING SCREW 3X8	2			B6525	
039-1		265954-0	TAPPING SCREW BIND PT3X8	2	O	B6525	C2918	
039-2		265683-5	TAPPING SCREW BIND PT 3X8	2	O	C2918		
040		643839-4	BRUSH HOLDER 6X9	2				
041		195027-4	CARBON BRUSH CB-459/460	1				
042		686039-3	RECEPTACLE SLEEVE	2				
043		651426-5	SWITCH STL115ADF-AD	1			C2203	

A:GA4031(H)

Interchange
O : Yes
X : No
< : the new part can be substituted for the current.
> : the current part can be substituted for the new.
S : Interchangeable as a set.

