



| | |
|----|----------|
| TH | THAILAND |
|----|----------|

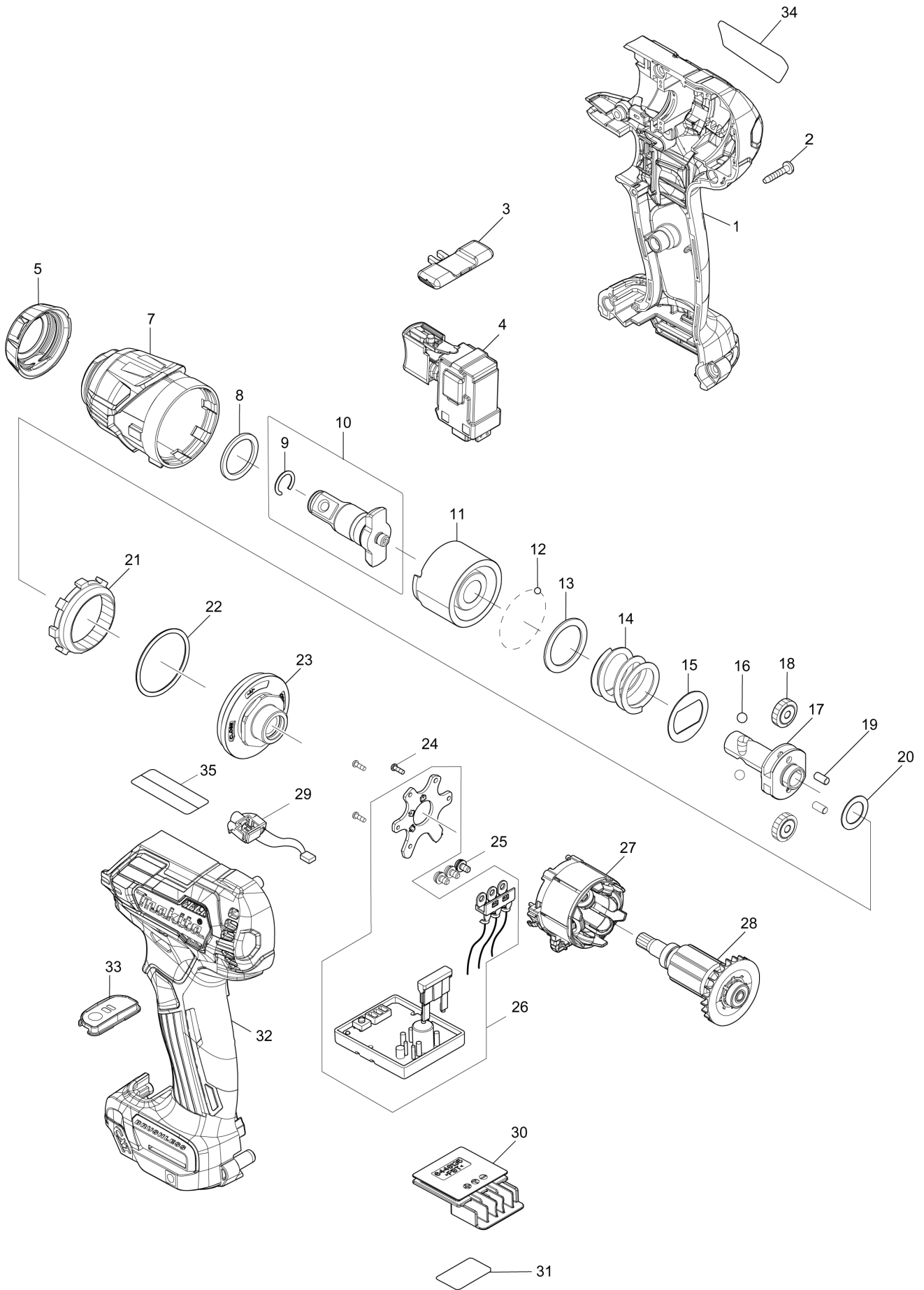
Diagram / Parts List

TW161D

CORDLESS IMPACT WRENCH



(TH) TW161D / CORDLESS IMPACT WRENCH



| | |
|-----------|-----------------|
| TH | THAILAND |
|-----------|-----------------|

TW161D / CORDLESS IMPACT WRENCH

| Item | Sub | Parts No. | Parts Description | Qty | I/C | E/C No. | Close No. | Remark |
|--------|-----|-----------|--------------------------|-----|-----|---------|-----------|--------|
| 001 | | 183L31-7 | HOUSING SET | 1 | | | | |
| | C10 | 263002-9 | RUBBER PIN 4 | 2 | | | | |
| | C20 | 252126-6 | HEX. LOCK NUT M4-7 | 2 | | | | |
| | D10 | | INC. 32 | | | | | |
| 002 | | 266429-2 | TAPPING SCREW 3X16 | 9 | | | | |
| 003 | | 455053-8 | F/R CHANGE LEVER | 1 | | | | |
| 004 | | 143975-1 | SWITCH COMPLETE | 1 | | | | |
| | C10 | 424890-1 | SWITCH COVER | 1 | | | | |
| 005 | | 422407-4 | BUMPER | 1 | | | | |
| 007 | | 140K41-1 | HAMMER CASE COMPLETE | 1 | | | | |
| | C10 | 213882-3 | O-RING 16 | 1 | | | | |
| 008 | | 261159-0 | NYLON WASHER 19 | 1 | | | | |
| 009 | | 231907-1 | RING SPRING 10 | 1 | | | | |
| 010 | | 136030-6 | ANVIL E ASSY | 1 | | | | |
| | D10 | | INC. 9 | | | | | |
| 011 | | 327200-0 | HAMMER | 1 | | | | |
| 012 | | 216019-1 | STEEL BALL 3 | 24 | | | | |
| 013 | | 267352-4 | FLAT WASHER 22 | 1 | | | | |
| 014 | | 232516-9 | COMPRESSION SPRING 21 | 1 | | | | |
| 015 | | 267813-4 | WASHER 21 | 1 | | | | |
| 016 | | 216002-8 | STEEL BALL 4.8 | 2 | | | | |
| 017 | | 327046-4 | SPINDLE | 1 | | | | |
| 018 | | 227213-0 | SPUR GEAR 17 | 2 | | | | |
| 019 | | 268217-3 | PIN 3.5 | 2 | | | | |
| 020 | | 253052-2 | FLAT WASHER 12 | 1 | | | | |
| 021 | | 227316-0 | INTERNAL GEAR 43 | 1 | | | | |
| 022 | | 213479-8 | O RING 33 | 1 | | | | |
| 023 | | 140G75-0 | BEARING BOX COMPLETE | 1 | | | | |
| | C10 | 213845-9 | O-RING 13 | 1 | | | | |
| 024 | | 266490-9 | TAPPING SCREW PT 2X6 | 3 | | | | |
| 025 | | 652069-6 | FLAT HEAD SCREW M3X6 | 3 | | | | |
| 026 | | 620998-1 | CONTROLLER | 1 | | | | |
| 027 | | 629398-2 | STATOR | 1 | | | | |
| 028 | | 619491-0 | ROTOR | 1 | | | D0256 | |
| 028-1 | | 619491-0 | ROTOR | 1 | O | D0256 | | |
| 029 | | 620999-9 | LED CIRCUIT | 1 | | | | |
| 030 | | 644813-5 | TERMINAL | 1 | | | | |
| 031 | | 855S26-9 | TW161D SERIAL NO. LABEL | 1 | | | | |
| 032 | | 183L31-7 | HOUSING SET | 1 | | | | |
| | C10 | 263002-9 | RUBBER PIN 4 | 2 | | | | |
| | C20 | 252126-6 | HEX. LOCK NUT M4-7 | 2 | | | | |
| | D10 | | INC. 1 | | | | | |
| 033 | | 140G52-2 | SWITCH PLATE COMPLETE | 1 | | | | |
| | C10 | 818X19-7 | SWITCH LABEL | 1 | | | | |
| 034 | | 855S19-6 | TW161D NAME PLATE | 1 | | | | |
| A01 | | 266622-8 | + TRUSS HEAD SCREW M4X12 | 1 | | | | |
| A02 | | 346909-5 | HOOK | 1 | | | | |
| A03B | | 821661-1 | PLASTIC CARRYING CASE | 1 | | | | |
| | C10 | 417724-5 | LATCH | 2 | | | | |
| A03C | | 821661-1 | PLASTIC CARRYING CASE | 1 | | | | |
| | C10 | 417724-5 | LATCH | 2 | | | | |
| A03D | | 821661-1 | PLASTIC CARRYING CASE | 1 | | | | |
| | C10 | 417724-5 | LATCH | 2 | | | | |
| A04B | | ***DC10WD | DC10WD BATTERY CHARGER | 1 | | | | |
| | D10 | | COMPO-PARTS | | | | | |
| A04C | | ***DC10WD | DC10WD BATTERY CHARGER | 1 | | | | |
| | D10 | | COMPO-PARTS | | | | | |
| A04D | | ***DC10WD | DC10WD BATTERY CHARGER | 1 | | | | |
| | D10 | | COMPO-PARTS | | | | | |
| A05B | | 199291-9 | BATTERY BL1016 SET | 2 | | | D0163 | |
| A05C | | 199290-1 | BATTERY BL1021B SET | 2 | | | D0164 | |
| A05D | | 199289-6 | BATTERY BL1041B SET | 2 | | | D0165 | |
| A05-1B | | 199291-9 | BATTERY BL1016 SET | 2 | < | D0163 | | |
| A05-1C | | 199290-1 | BATTERY BL1021B SET | 2 | < | D0164 | | |
| A05-1D | | 199289-6 | BATTERY BL1041B SET | 2 | < | D0165 | | |

A:TW161DZ(N)
 B:TW161DWYE(H)
 C:TW161DWAE(H)
 D:TW161DWME(H)

Interchange
 O : Yes
 X : No
 < : the new part can be substituted for the current.
 > : the current part can be substituted for the new.
 S : Interchangeable as a set.

