



TH	THAILAND
----	----------

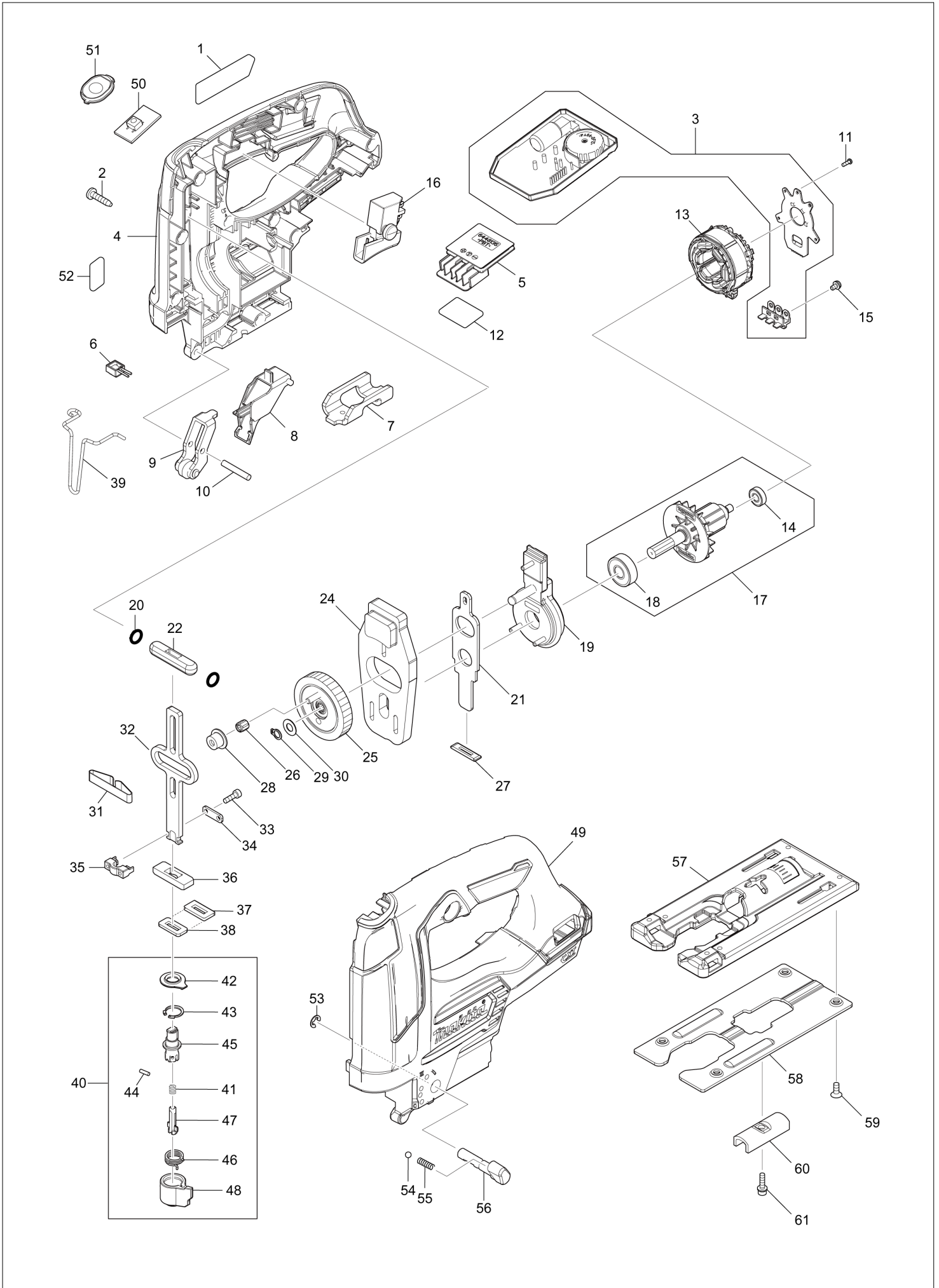
Diagram / Parts List

JV103D

CORDLESS JIG SAW



(TH) JV103D / CORDLESS JIG SAW



TH	THAILAND
-----------	-----------------

JV103D / CORDLESS JIG SAW

Item	Sub	Parts No.	Parts Description	Qty	I/C	E/C No.	Close No.	Remark
001		853P71-0	JV103D NAME PLATE	1				
002		266326-2	TAPPING SCREW 4X18	10				
003		620711-7	CONTROLLER	1			C7470	
003-1		620907-0	CONTROLLER	1	<	C7470		
004		183H18-5	HOUSING SET	1				
	D10		INC. 49					
005		644813-5	TERMINAL	1				
006		620713-3	LED CIRCUIT	1				
007		347251-7	HOLDER	1				
008		457866-3	RETAINER GUIDE	1				
009		144629-3	RETAINER COMPLETE	1				
010		256206-0	PIN 4	1				
011		266490-9	TAPPING SCREW PT 2X6	3				
012		853P79-4	JV103D SERIAL NO. LABEL	1				
013		629281-3	STATOR	1				
014		211157-4	BALL BEARING 695ZZ	1				
015		652069-6	FLAT HEAD SCREW M3X6	3				
016		650251-1	SWITCH SGEL106C-4	1				
017		519452-9	ROTOR ASSY	1			D0256	
	D10		INC. 14,18				D0256	
017-1		519452-9	ROTOR ASSY	1	O	D0256		
	D10		INC. 14,18			D0256		
018		210005-4	BALL BEARING 608DDW	1				
019		144820-3	BEARING CASE COMPLETE	1				
020		213038-8	O RING 5	2				
021		347249-4	PUSH PLATE	1				
022		313082-6	SLIDER GUIDE	1				
024		310812-6	BALANCE PLATE	1				
025		144630-8	GEAR COMPLETE	1				
026		212965-6	NEEDLE CAGE 407	1				
027		416703-0	DUST SEAL	1				
028		257804-3	SHOULDER SLEEVE 7	1				
029		961002-0	RETAINING RING S-6	1				
030		253715-0	FLAT WASHER 6	1				
031		232183-0	LEAF SPRING	1				
032		347250-9	SLIDER	1				
033		266177-3	HEX. SOCKET HEAD BOLT M3X10	2				
034		347247-8	PLATE	1				
035		310811-8	BLADE CLAMP	1				
036		313086-8	SLIDER SUPPORT	1				
037		344686-3	SEAL PLATE	1				
038		423307-1	POLYURETHANE SPONGE SEAL	1				
039		323748-0	SAFETY WIRE	1				
040		135941-2	BLADE GUIDE ASS'Y	1				
	D10		INC. 41-48					
041		233314-4	COMPRESSION SPRING 4	1				
042		424437-1	DUST COVER	1				
043		962063-3	RETAINING RING R-13	1				
044		256528-8	PIN 2	1				
045		310810-0	BLADE GUIDE	1				
046		233591-8	TORSION SPRING 10	1				
047		310485-5	LOCK PIN	1				
048		452850-3	INSERT HOLDER	1				
049		183H18-5	HOUSING SET	1				
	D10		INC. 4					
050		620715-9	SWITCH UNIT	1				
051		142303-7	SWITCH PLATE COMPLETE	1				
053		961011-9	STOP RING E-4	1				
054		216008-6	STEEL BALL 4	1				
055		233151-6	COMPRESSION SPRING 4	1				
056		271441-9	LEVER 19	1				
057		319620-2	BASE	1				
058		345441-6	BASE PLATE	1				
059		912107-9	COUNTERSUNK HEAD SCREW M4X8	4				
060		344685-5	CLAMP PLATE	1				

A:JV103DZ(N)
 B:JV103DWYJ(H)
 C:JV103DWMJ(H)

Interchange
 O : Yes
 X : No
 < : the new part can be substituted for the current.
 > : the current part can be substituted for the new.
 S : Interchangeable as a set.

