



| | |
|----|----------|
| TH | THAILAND |
|----|----------|

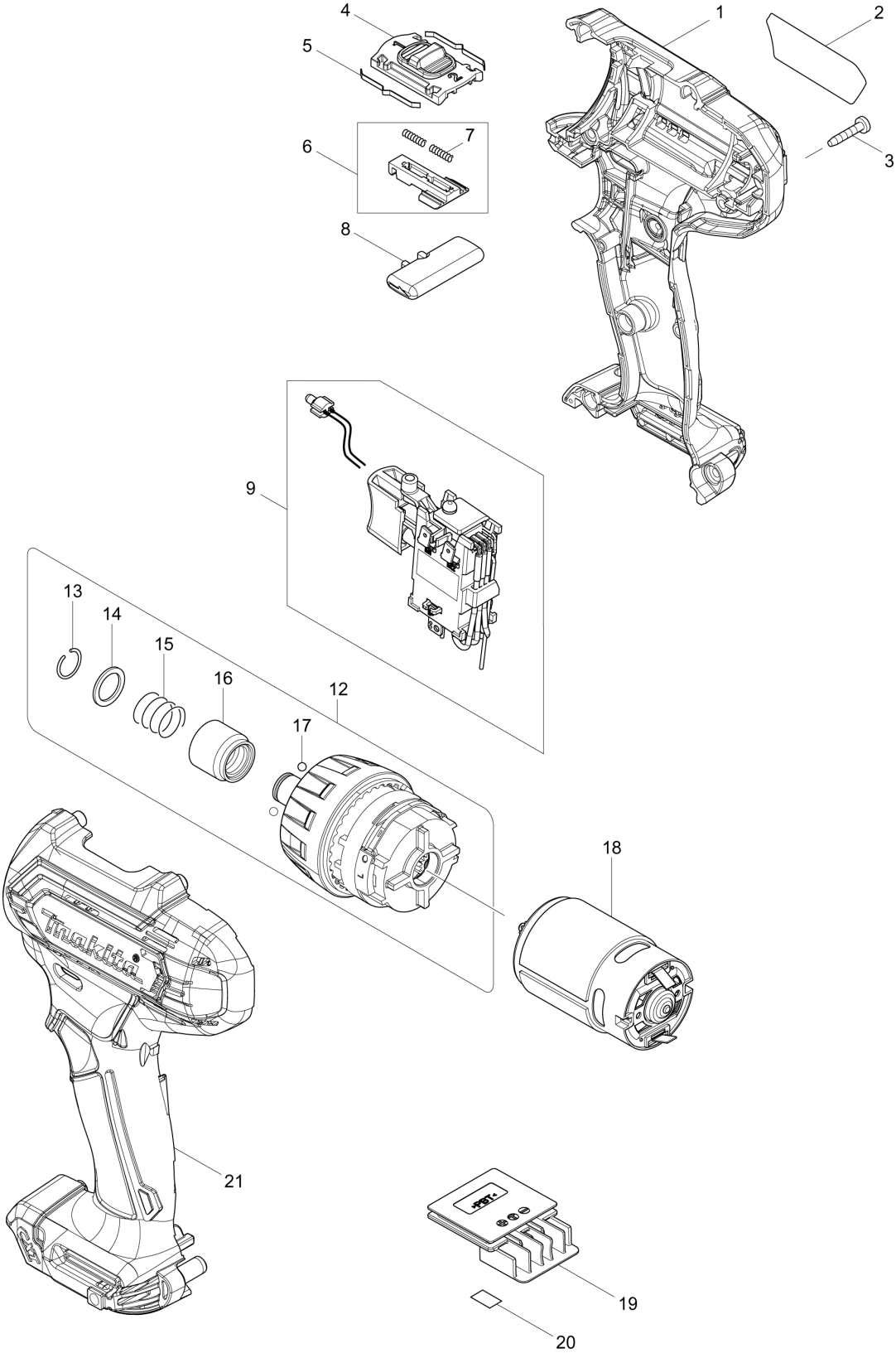
Diagram / Parts List

DF033D

CORDLESS DRIVER DRILL



(TH) DF033D / CORDLESS DRIVER DRILL



| | |
|-----------|-----------------|
| TH | THAILAND |
|-----------|-----------------|

DF033D / CORDLESS DRIVER DRILL

| Item | Sub | Parts No. | Parts Description | Qty | I/C | E/C No. | Close No. | Remark |
|--------|-----|-----------|---------------------------|-----|-----|---------|-----------|--------|
| 001 | | 183K90-5 | HOUSING SET | 1 | | | | |
| | C10 | 252126-6 | HEX. LOCK NUT M4-7 | 2 | | | | |
| | D10 | | INC. 21 | | | | | |
| 002 | | 855E57-4 | DF033D NAME PLATE | 1 | | | | |
| 003 | | 266429-2 | TAPPING SCREW 3X16 | 9 | | | | |
| 004 | | 459026-3 | SPEED CHANGE LEVER | 1 | | | DG906 | |
| 004-1 | | 413F37-8 | SPEED CHANGE LEVER | 1 | S | DG906 | | |
| 005 | | 232493-5 | LEAF SPRING | 2 | | | | |
| 006 | | 127127-2 | CHANGE LEVER ASSEMBLY | 1 | | | DG906 | |
| | D10 | | INC. 7 | | | | DG906 | |
| 006-1 | | 122B84-1 | CHANGE LEVER ASSEMBLY | 1 | S | DG906 | | |
| | D10 | | INC. 7 | | | DG906 | | |
| 007 | | 233025-1 | COMPRESSION SPRING 2 | 2 | | | | |
| 008 | | 456039-5 | F/R CHANGE LEVER | 1 | | | | |
| 009 | | 632J77-3 | SWITCH UNIT | 1 | | | | |
| | C10 | 620625-0 | LED CIRCUIT | 1 | | | | |
| 012 | | 127126-4 | GEAR ASSEMBLY N | 1 | | | D0925 | |
| | D10 | | INC. 13-17 | | | | D0925 | |
| 012-1 | | 127126-4 | GEAR ASSEMBLY N | 1 | O | D0925 | | |
| | D10 | | INC. 13-17 | | | D0925 | | |
| 013 | | 231965-7 | RING SPRING 10 | 1 | | | | |
| 014 | | 347004-4 | BIT WASHER | 1 | | | | |
| 015 | | 233005-7 | COMPRESSION SPRING 13 | 1 | | | | |
| 016 | | 326677-6 | BIT SLEEVE | 1 | | | | |
| 017 | | 216019-1 | STEEL BALL 3 | 2 | | | | |
| 018 | | 629395-8 | DC MOTOR | 1 | | | | |
| 019 | | 644813-5 | TERMINAL | 1 | | | | |
| 020 | | 855E64-7 | DF033D SERIAL NO. LABEL | 1 | | | | |
| 021 | | 183K90-5 | HOUSING SET | 1 | | | | |
| | C10 | 252126-6 | HEX. LOCK NUT M4-7 | 2 | | | | |
| | D10 | | INC. 1 | | | | | |
| A01 | | 251314-2 | + SCREW M4X12 | 1 | | | | |
| A02 | | 346909-5 | HOOK | 1 | | | | |
| A03 | | 784202-3 | PHILLIPS BIT 2-45 | 1 | | | DC711 | |
| A03-1 | | 784043-7 | +BIT 2-45 | 1 | O | DC711 | | |
| A04B | | 821661-1 | PLASTIC CARRYING CASE | 1 | | | | |
| | C10 | 417724-5 | LATCH | 2 | | | | |
| A04C | | 821661-1 | PLASTIC CARRYING CASE | 1 | | | | |
| | C10 | 417724-5 | LATCH | 2 | | | | |
| A04D | | 821661-1 | PLASTIC CARRYING CASE | 1 | | | | |
| | C10 | 417724-5 | LATCH | 2 | | | | |
| A05B | | 818P05-0 | DF033DWYE MODEL NO. LABEL | 1 | | | | |
| A05C | | 818P10-7 | DF033DWAE MODEL NO. LABEL | 1 | | | | |
| A05D | | 818P14-9 | DF033DWME MODEL NO. LABEL | 1 | | | | |
| A08B | | 456128-6 | BATTERY COVER | 1 | | | | |
| A08C | | 456128-6 | BATTERY COVER | 1 | | | | |
| A08D | | 456128-6 | BATTERY COVER | 1 | | | | |
| A09B | | ***DC10WD | DC10WD BATTERY CHARGER | 1 | | | | |
| | D10 | | COMPO-PARTS | | | | | |
| A09C | | ***DC10WD | DC10WD BATTERY CHARGER | 1 | | | | |
| | D10 | | COMPO-PARTS | | | | | |
| A09D | | ***DC10WD | DC10WD BATTERY CHARGER | 1 | | | | |
| | D10 | | COMPO-PARTS | | | | | |
| A10B | | 199291-9 | BATTERY BL1016 SET | 2 | | | D0163 | |
| A10C | | 199290-1 | BATTERY BL1021B SET | 2 | | | D0164 | |
| A10D | | 199289-6 | BATTERY BL1041B SET | 2 | | | D0165 | |
| A10-1B | | 199291-9 | BATTERY BL1016 SET | 2 | < | D0163 | | |
| A10-1C | | 199290-1 | BATTERY BL1021B SET | 2 | < | D0164 | | |
| A10-1D | | 199289-6 | BATTERY BL1041B SET | 2 | < | D0165 | | |

A:DF033DZ(N)
 B:DF033DWYE(H)
 C:DF033DWAE(H)
 D:DF033DWME(H)

Interchange
 O : Yes
 X : No
 < : the new part can be substituted for the current.
 > : the current part can be substituted for the new.
 S : Interchangeable as a set.