



TH	THAILAND
----	----------

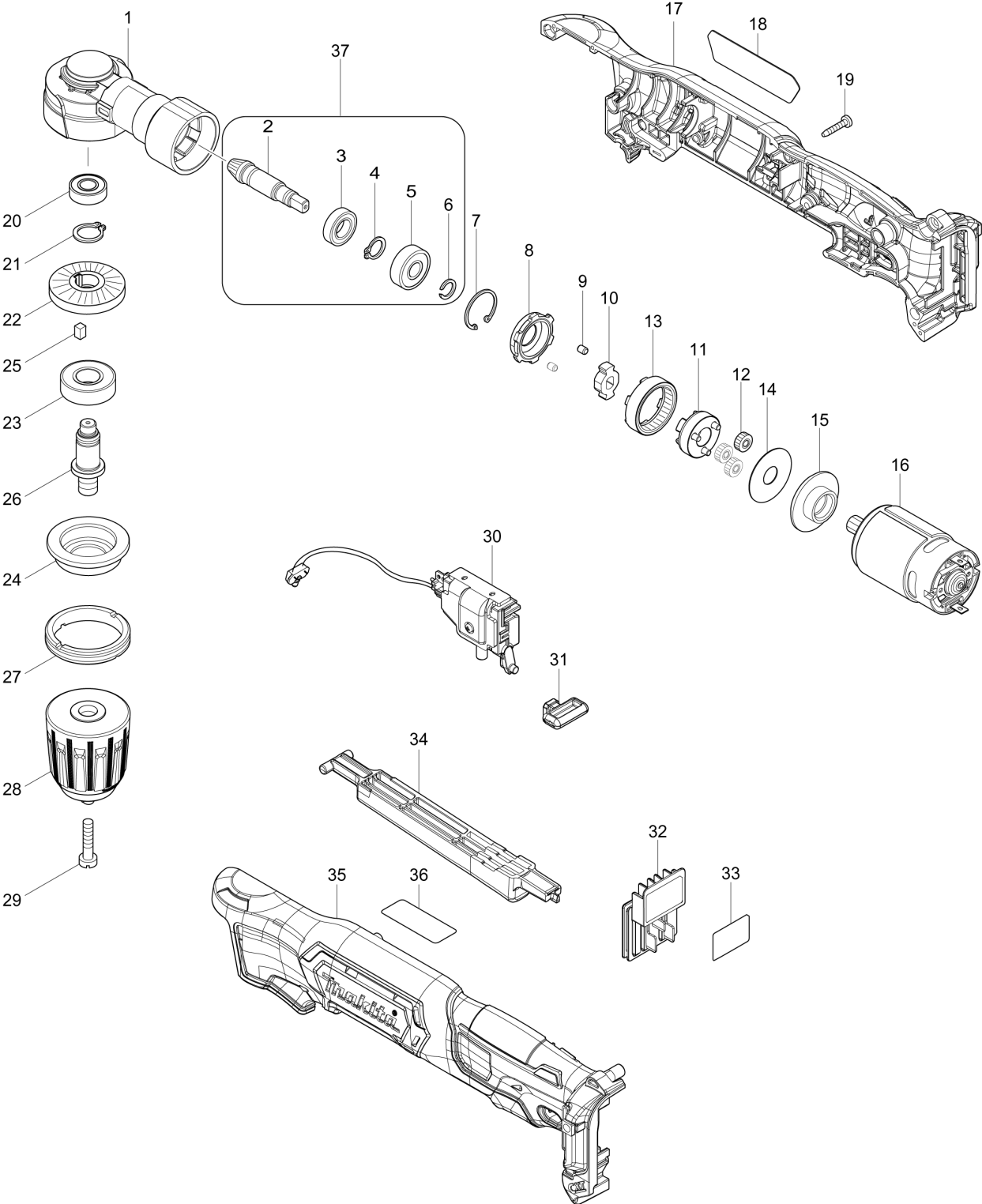
Diagram / Parts List

DA333D

10MM CORDLESS ANGLE DRILL



(TH) DA333D / 10MM CORDLESS ANGLE DRILL



TH	THAILAND
----	----------

DA333D / 10MM CORDLESS ANGLE DRILL

Item	Sub	Parts No.	Parts Description	Qty	I/C	E/C No.	Close No.	Remark
001		319635-9	GEAR HOUSING	1				
002		221570-8	SPIRAL BEVEL GEAR 6	1			C1766	
002-1		226836-1	SPIRAL BEVEL GEAR 6	1	S	C1766		
003		210171-7	BALL BEARING 6800ZZ	1				
004		961006-2	RETAINING RING S-10	1				
005		210029-0	BALL BEARING 608ZZ	1				
006		961034-7	RETAINING RING	1				
007		962102-9	RETAINING RING R-22	1				
008		310831-2	LOCK RING	1				
009		256372-3	PIN 3.5	2				
010		310832-0	LOCK CAM	1				
011		144702-9	CARRIER COMPLETE	1				
012		221572-4	SPUR GEAR 17	3				
013		221569-3	INTERNAL GEAR 48	1				
014		253396-0	FLAT WASHER 10	1				
015		457972-4	MOTOR BRACKET	1				
016		629289-7	DC MOTOR	1				
017		183H38-9	HOUSING SET	1				
	C10	252126-6	HEX. LOCK NUT M4-7	2				
	D10		INC. 35					
018		853T64-1	DA333D NAME PLATE	1				
019		266130-9	TAPPING SCREW BIND PT 3X16	9				
020		211166-3	BALL BEARING 698DDW	1				
021		961052-5	RETAINING RING (EXT) S-12	1				
022		227603-7	SPIRAL BEVEL GEAR 31	1				
023		210163-6	BALL BEARING 6001DDW	1				
024		317633-7	BEARING BOX	1				
025		254201-4	KEY 4	1				
026		327015-5	SPINDLE	1				
027		285842-5	BEARING RETAINER 36-43	1				
028		763228-8	KEYLESS DRILL CHUCK 10	1				
029		251451-2	- PAN HEAD SCREW M5X22	1				
030		651097-8	SWITCH C3HW-3A-PLF5MS-W	1				
031		450126-2	FR CHANGE LEVER	1				
032		644813-5	TERMINAL	1				
033		853T79-8	DA333D SERIAL NO. LABEL	1				
034		457973-2	SWITCH LEVER	1				
035		183H38-9	HOUSING SET	1				
	C10	252126-6	HEX. LOCK NUT M4-7	2				
	D10		INC. 17					
037		135922-6	GEAR ASSEMBLY	1			C0461	
	D10		INC. 2-6				C0461	
037-1		135922-6	GEAR ASSEMBLY	1	O	C0461	C1766	
	D10		INC. 2-6,38			C0461	C1766	
037-2		135976-3	GEAR ASS'Y	1	O	C1766		
	D10		INC. 2-6			C1766		
038		253310-6	THIN WASHER 10	1		C0461	C1766	
A01		784244-7	+ BIT 2-50	1				
A02		346909-5	HOOK	1				
A03		251314-2	+ SCREW M4X12	1				
A04B		***DC10WD	DC10WD BATTERY CHARGER	1				
A04C		***DC10WD	DC10WD BATTERY CHARGER	1				
A04D		***DC10WD	DC10WD BATTERY CHARGER	1				
A05B		197393-5	BATTERY BL1016 SET	2			C2691	
A05C		197396-9	BATTERY BL1021B SET	2			C2801	
A05D		197406-2	BATTERY BL1041B SET	2			C2801	
A05-1B		199291-9	BATTERY BL1016 SET	2	<	C2691	D0163	
A05-1C		199290-1	BATTERY BL1021B SET	2	<	C2801	D0164	
A05-1D		199289-6	BATTERY BL1041B SET	2	<	C2801	D0165	
A05-2B		199291-9	BATTERY BL1016 SET	2	<	D0163		
A05-2C		199290-1	BATTERY BL1021B SET	2	<	D0164		
A05-2D		199289-6	BATTERY BL1041B SET	2	<	D0165		
A06B		456128-6	BATTERY COVER	1				
A06C		456128-6	BATTERY COVER	1				
A06D		456128-6	BATTERY COVER	1				

A:DA333DZ(N)
 B:DA333DWYE(H)
 C:DA333DWAE(H)
 D:DA333DWME(H)

Interchange
 O : Yes
 X : No
 < : the new part can be substituted for the current.
 > : the current part can be substituted for the new.
 S : Interchangeable as a set.

