



TH	THAILAND
----	----------

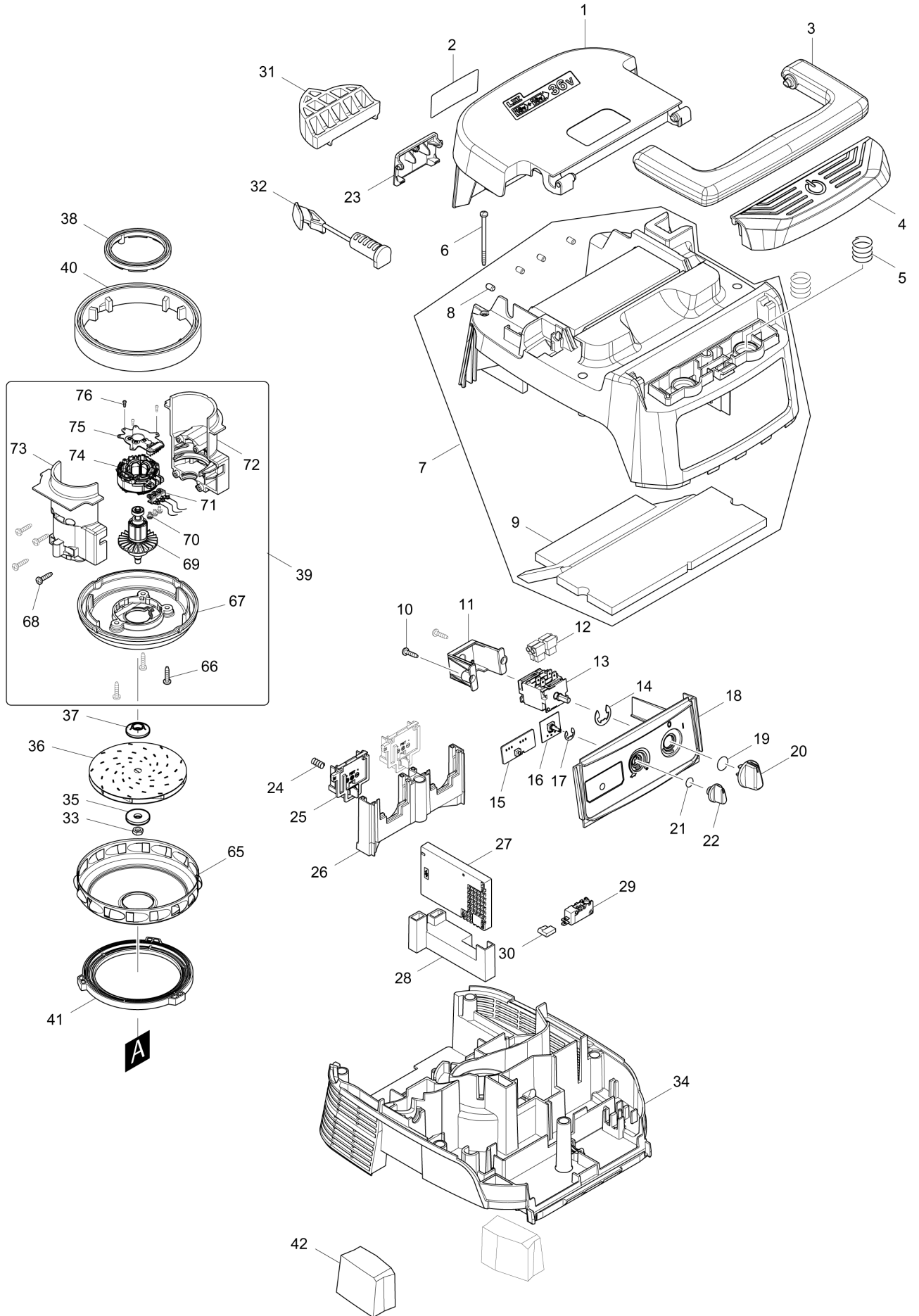
Diagram / Parts List

DVC862L

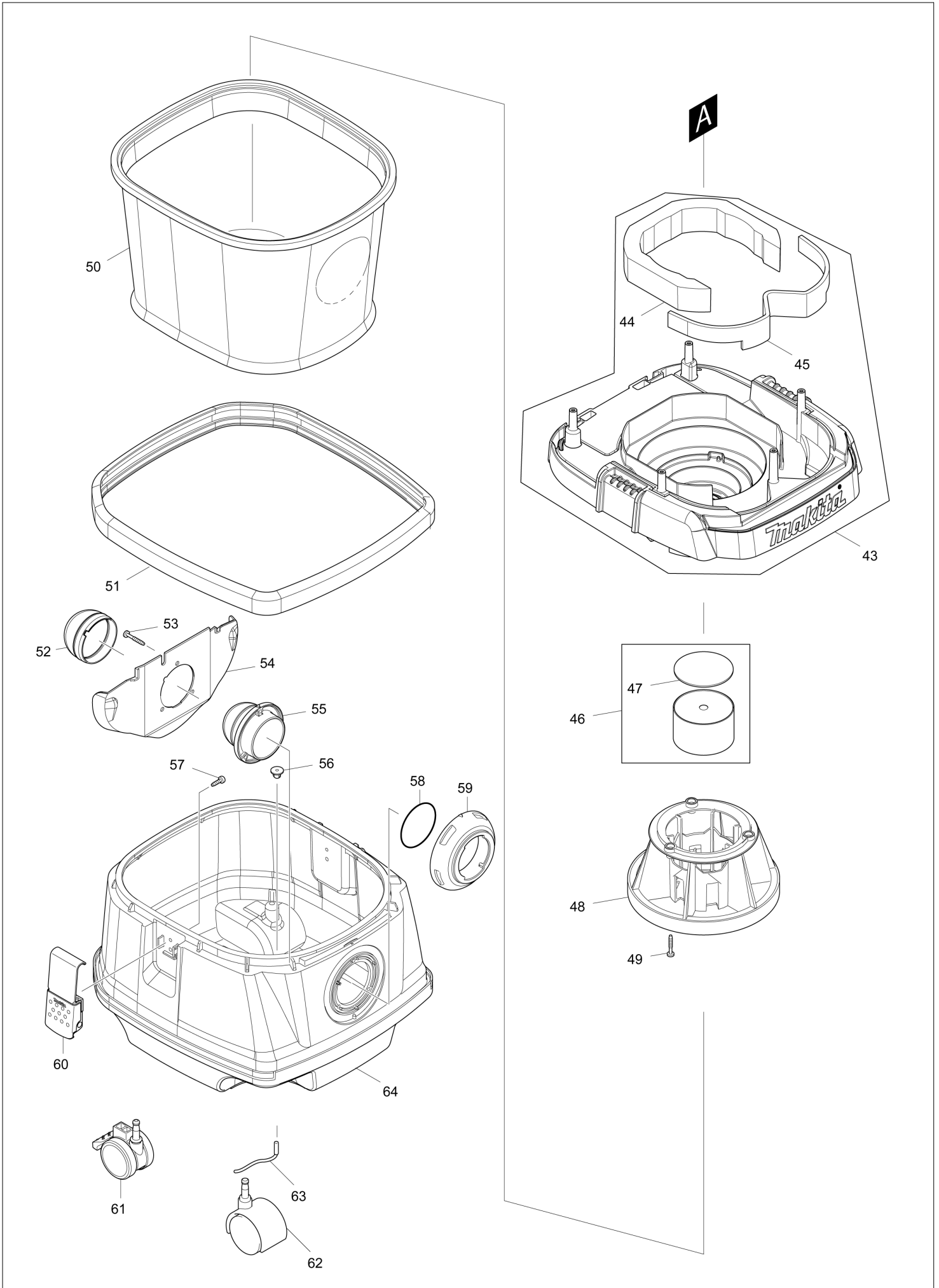
CORDLESS VACUUM CLEANER



(TH) DVC862L / CORDLESS VACUUM CLEANER



(TH) DVC862L / CORDLESS VACUUM CLEANER



TH	THAILAND
----	----------

DVC862L / CORDLESS VACUUM CLEANER

Item	Sub	Parts No.	Parts Description	Qty	I/C	E/C No.	Close No.	Remark
001		143174-5	BATTERY COVER COMPLETE	1				
	C10	891977-8	CAUTION LABEL	1				
002		853B24-5	DVC862L NAME PLATE	1				
003		455734-4	GRIP	1				
004		455730-2	SWITCH BUTTON	1			C6300	
004-1		459262-1	SWITCH BUTTON	1	<	C6300		
005		234273-5	COMPRESSION SPRING 20	2				
006		266340-8	TAPPING SCREW 4X65	6				
007		144409-7	COWLING COMPLETE	1				
	D10		INC. 8,9					
008		263005-3	RUBBER PIN 6	4				
009		424688-6	TOP DAMPER	1				
010		266326-2	TAPPING SCREW 4X18	2				
011		451343-7	SWITCH HOLDER	1				
012		686023-8	RECEPTACLE SLEEVE	4				
013		650622-2	SWITCH	1				
014		961062-2	STOP RING E-12	1				
015		620649-6	LED CIRCUIT	1				
016		631922-9	SUB CONTROLLER	1				
017		961013-5	STOP RING E-7	1				
018		144479-6	SWITCH BASE COMPLETE	1				
019		213176-6	O RING 14	1				
020		455733-6	SWITCH LEVER	1				
021		213054-0	O RING 9	1				
022		451344-5	SWITCH DIAL	1				
023		455728-9	BATTERY COVER HOOK	1				
024		231240-1	COMPRESSION SPRING 7	1				
025		644808-8	TERMINAL	2				
026		455729-7	TERMINAL BASE	1				
027		620639-9	CONTROLLER	1				
028		457609-3	CONTROLLER HOLDER	1				
029		651910-0	SWITCH D2VW-01-3HS	1				
030		686039-3	RECEPTACLE SLEEVE	1				
031		424981-8	SPACER	1				
032		424980-0	CAP	1				
033		931303-0	HEX. NUT M6	1			C4760	
033-1		252268-6	HEX. NUT M6	1	O	C4760		
034		455726-3	SEPARATER	1				
035		253752-4	FLAT WASHER 8	1				
036		240178-9	FAN 104	1				
037		313062-2	FLANGE	1				
038		424685-2	RUBBER RING 60	1				
039		123974-9	MOTOR ASSEMBLY	1				
	D10		INC. 66-76					
040		424686-0	RUBBER RING 120	1				
041		424687-8	SUPPORT RING	1				
042		424690-9	REAR BLOCK FILTER	2				
043		143175-3	TANK COVER COMPLETE	1				
	D10		INC. 44,45					
044		424691-7	BAND DAMPER	1				
045		424689-4	FRONT DAMPER	1				
046		158166-1	FLOAT COMPLETE	1				
	D10		INC. 47					
047		423365-7	SPONGE SEAL 70	1				
048		419725-9	FLOAT CAGE	1				
049		266374-1	TAPPING SCREW 4X25	3				
050		140248-3	CLOTH FILTER COMPLETE	1				
051		422148-2	BUMPER	1				
052		424382-0	RUBBER HOLDER	1				
053		266257-5	TAPPING SCREW 4X28	3				
054		419351-4	HOLDER PLATE	1				
055		419350-6	HOLDER	1				
056		421468-1	CORD SEAL	1				
057		266192-7	TAPPING SCREW 4X14	4				
058		213655-4	O RING 56	1				

A:DVC862LZ(N)

Interchange
O : Yes
X : No
< : the new part can be substituted for the current.
> : the current part can be substituted for the new.
S : Interchangeable as a set.

TH	THAILAND
----	----------

DVC862L / CORDLESS VACUUM CLEANER

Item	Sub	Parts No.	Parts Description	Qty	I/C	E/C No.	Close No.	Remark
059		451348-7	INLET	1				
060		168537-4	HOOK	2				
061		168535-8	CASTER 50	2				
062		168434-4	CASTER 50	2				
063		649150-2	EARTH LINE 120	1				
064		451334-8	TANK	1				
065		347171-5	FAN COVER	1				
066		266326-2	TAPPING SCREW 4X18	3				
067		457486-3	FAN BASE	1				
068		266326-2	TAPPING SCREW 4X18	4				
069		619431-8	ROTOR	1			D0256	
069-1		619431-8	ROTOR	1	O	D0256		
070		652069-6	FLAT HEAD SCREW M3X6	3				
071		632J83-8	LEAD UNIT	1				
072		183F90-5	MOTOR HOUSING SET	1				
	D10		INC. 73					
073		183F90-5	MOTOR HOUSING SET	1				
	D10		INC. 72					
074		629256-2	STATOR	1				
075		620648-8	CONTROLLER B	1				
076		266490-9	TAPPING SCREW PT 2X6	3				
A01		122512-4	NOZZLE ASS'Y 38	1				
	C01	151449-8	ROLLER 40 COMPLETE	2				
	C06	415962-3	ROLLER 14	2				
	C11	256241-8	PIN 3	2				
	C16	265871-4	TAPPING SCREW BT 4X16	6				
	C21	154427-7	ELBOW JOINT COMPLETE	1				
	C26	415965-7	UPPER NOZZLE	1				
	C31	415964-9	JOINT HOLDER	1				
	C36	743328-0	BRUSH	1				
	C41	743327-2	WIPER	1				
A02		195434-1	HOSE COMPLETE 38-2.5 SET	1				
	C10	417191-4	CUFF LOCK	1				
	C20	417306-3	SLEEVE	2				
	C30	417307-1	FRONT CUFF	1				
	C40	417586-1	STOPPER	2				
A03		195432-5	POLY BAG SET(650X650)	1				
A04		192563-1	STRAIGHT PIPE SET 565-38	1				
A05		192562-3	BENDING PIPE	1				
A06		410306-2	CORNER NOZZLE	1				
A07		451350-0	STOPPER	1				
A08		455732-8	TOOL BOX	1				
A09		911138-5	P.H.SCREW M4X20 WITH WR	1				
F12		192236-6	TAPERED NOZZLE SET	0				
F18		195435-9	HOSE COMPLETE 38-5 SET	1				
F19		195436-7	HOSE COMPLETE 28-5 SET	1				
F20		195437-5	HOSE COMPLETE 28-2.5 SET	1				
F22		195544-4	HOLDER 10-33 SET	1				
F23		195545-2	FRONT CUFF 38 SET	1				
F24		195546-0	FRONT CUFF 24 SET	1				
F25		195547-8	FRONT CUFF 22 SET	1				
F26		195548-6	JOINT 22-38 SET	1				
F27		195549-4	T-NOZZLE ASSY A SET(DRY)38	1				
F28		195550-9	T-NOZZLE ASSY B SET(WET)38	1				
F29		195551-7	T-NOZZLE SET 38	1				
F30		195552-5	DAMPER SET	1				
F31		195553-3	PRE-FILTER SET	1				
F32		195555-9	FILTER FOR WATER SET	1				
F33		195557-5	FILTER BAG SET 15L(5PCS)	1			DK368	
F33-1		1912R3-4	FILTER BAG SET	1	O	DK368		
F34		195637-7	HOLDER,CUFF SET	1				
F45		198184-7	F/C SWITCHING T-NOZZLE 38	1				
F46		198533-8	F/C SWITCHING T-NOZZLE 38 EU	1				
F61		191G76-1	MESH SLEEVE HOSE 28-5 SET	1		D1787		

A:DVC862LZ(N)

Interchange
O : Yes
X : No
< : the new part can be substituted for the current.
> : the current part can be substituted for the new.
S : Interchangeable as a set.