



|    |          |
|----|----------|
| TH | THAILAND |
|----|----------|

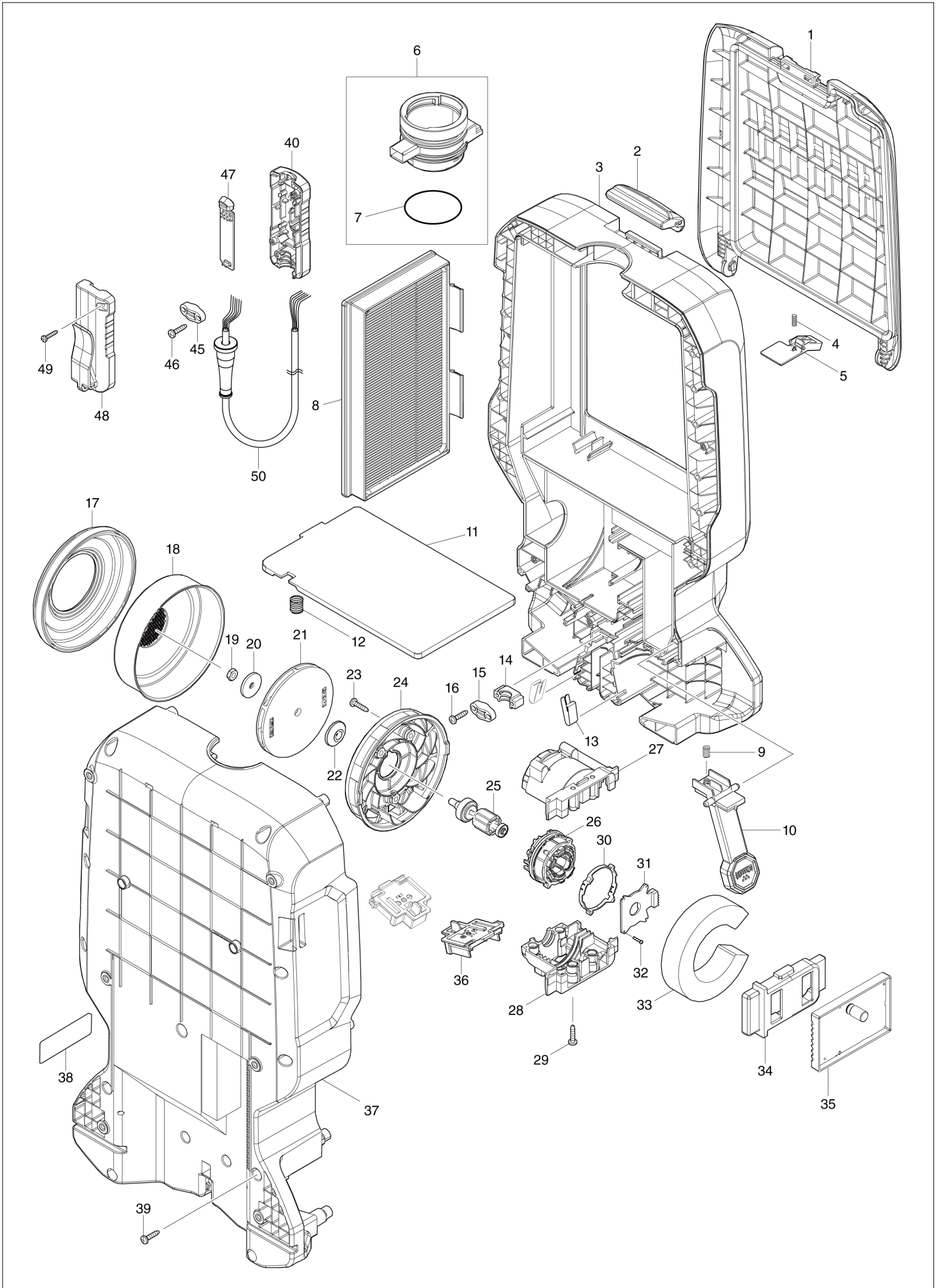
# Diagram / Parts List

**DVC660**

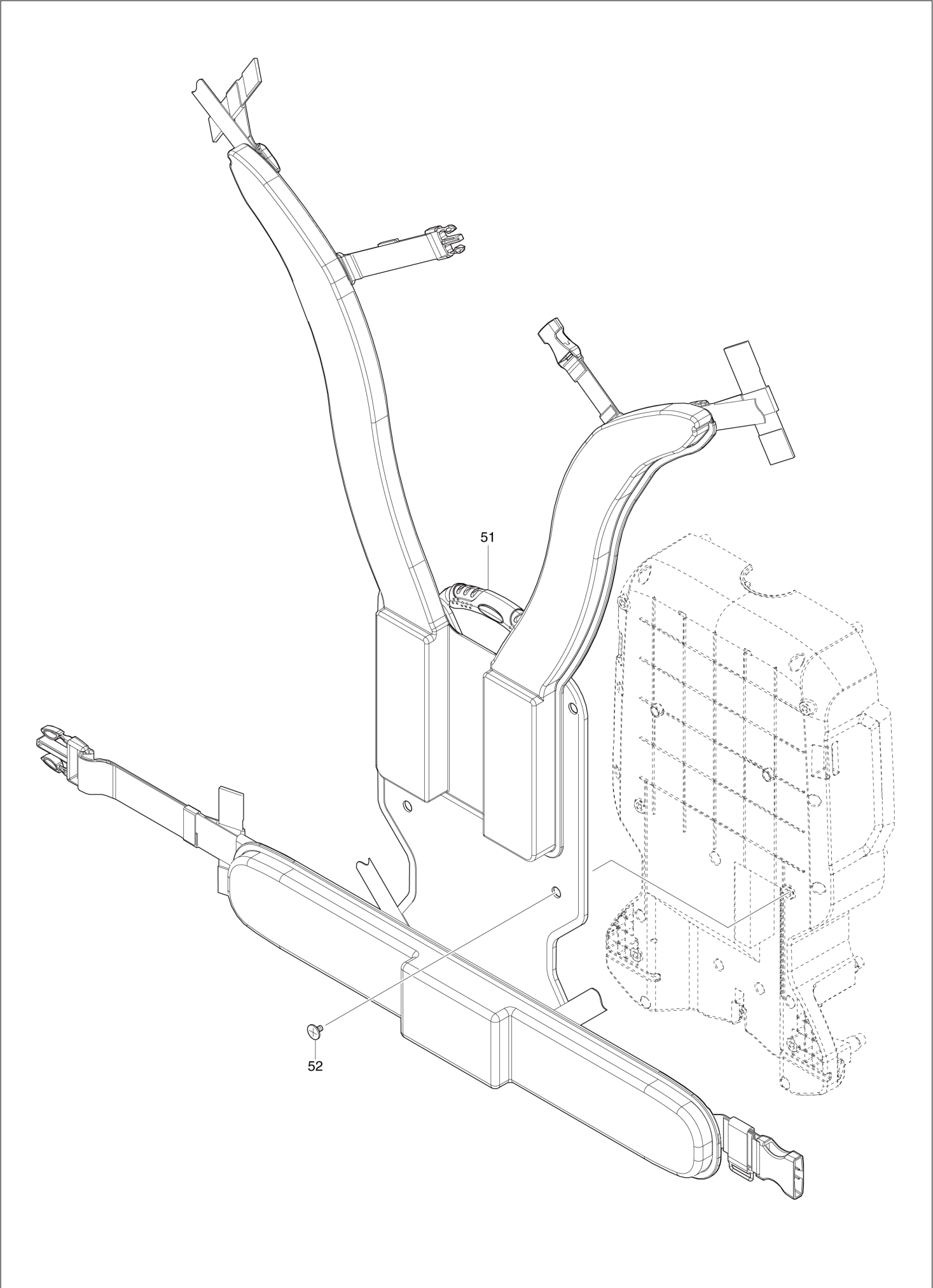
**DC BACKPACK VACUUM CLEANER**



(TH) DVC660 / DC BACKPACK VACUUM CLEANER



(TH) DVC660 / DC BACKPACK VACUUM CLEANER



|    |          |
|----|----------|
| TH | THAILAND |
|----|----------|

### DVC660 / DC BACKPACK VACUUM CLEANER

| Item  | Sub | Parts No. | Parts Description             | Qty | I/C | E/C No. | Close No. | Remark |
|-------|-----|-----------|-------------------------------|-----|-----|---------|-----------|--------|
| 001   |     | 140P97-4  | DUST BOX COVER COMPLETE       | 1   |     |         |           |        |
|       | C10 | 422536-3  | SEAL A                        | 1   |     |         |           |        |
| 002   |     | 127480-6  | LATCH ASSEMBLY                | 1   |     |         |           |        |
| 003   |     | 140P91-6  | UPPER HOUSING COMPLETE        | 1   |     |         |           |        |
|       | C10 | 422534-7  | BAND DAMPER D                 | 1   |     |         |           |        |
|       | C20 | 422550-9  | BAND DAMPER A                 | 1   |     |         |           |        |
| 004   |     | 232389-0  | COMPRESSION SPRING 5          | 1   |     |         |           |        |
| 005   |     | 459912-8  | STOPPER PLATE                 | 1   |     |         |           |        |
| 006   |     | 135771-1  | INLET ASS'Y                   | 1   |     |         |           |        |
|       | D10 |           | INC. 7                        |     |     |         |           |        |
| 007   |     | 213655-4  | O RING 56                     | 1   |     |         |           |        |
| 008   |     | 191D12-9  | MAIN FILTER H SET             | 1   |     |         |           |        |
| 009   |     | 232588-4  | COMPRESSION SPRING 6          | 1   |     |         |           |        |
| 010   |     | 140P99-0  | LEVER 100 COMPLETE            | 1   |     |         |           |        |
| 011   |     | 459913-6  | PLATE                         | 1   |     |         |           |        |
| 012   |     | 234141-2  | COMPRESSION SPRING 12         | 2   |     |         |           |        |
| 013   |     | 232267-4  | LEAF SPRING                   | 2   |     |         |           |        |
| 014   |     | 687051-6  | STRAIN RELIEF                 | 1   |     |         |           |        |
| 015   |     | 687123-7  | STRAIN RELIEF                 | 1   |     |         |           |        |
| 016   |     | 266326-2  | TAPPING SCREW 4X18            | 2   |     |         |           |        |
| 017   |     | 422376-9  | SUPPORT RING                  | 1   |     |         |           |        |
| 018   |     | 161804-6  | FAN COVER                     | 1   |     |         |           |        |
| 019   |     | 252268-6  | HEX. NUT M6                   | 1   |     |         |           |        |
| 020   |     | 322407-3  | WASHER 6                      | 1   |     |         |           |        |
| 021   |     | 241851-4  | FAN 94                        | 1   |     |         |           |        |
| 022   |     | 313062-2  | FLANGE                        | 1   |     |         |           |        |
| 023   |     | 266326-2  | TAPPING SCREW 4X18            | 3   |     |         |           |        |
| 024   |     | 456736-3  | FAN BASE                      | 1   |     |         |           |        |
| 025   |     | 619517-8  | ROTOR                         | 1   |     |         | DG943     |        |
| 025-1 |     | 619517-8  | ROTOR                         | 1   | O   | DG943   |           |        |
| 026   |     | 629381-9  | STATOR                        | 1   |     |         |           |        |
| 027   |     | 183D13-1  | MOTOR HOUSING SET             | 1   |     |         |           |        |
|       | D10 |           | INC. 28                       |     |     |         |           |        |
| 028   |     | 183D13-1  | MOTOR HOUSING SET             | 1   |     |         |           |        |
|       | D10 |           | INC. 27                       |     |     |         |           |        |
| 029   |     | 266326-2  | TAPPING SCREW 4X18            | 4   |     |         |           |        |
| 030   |     | 687464-1  | SUPPORT                       | 1   |     |         |           |        |
| 031   |     | 620526-2  | CONTROLLER B                  | 1   |     |         |           |        |
| 032   |     | 266786-8  | + PAN HEAD TAPPING SCREW 2X10 | 4   |     |         |           |        |
| 033   |     | 422370-1  | BAND DAMPER C                 | 1   |     |         |           |        |
| 034   |     | 424837-5  | SUPPORT A                     | 1   |     |         |           |        |
| 035   |     | 620C52-9  | CONTROLLER                    | 1   |     |         |           |        |
| 036   |     | 644809-6  | TERMINAL                      | 2   |     |         |           |        |
| 037   |     | 140P93-2  | LOWER HOUSING COMPLETE        | 1   |     |         |           |        |
|       | C10 | 422535-5  | BAND DAMPER E                 | 1   |     |         |           |        |
|       | C20 | 422551-7  | BAND DAMPER B                 | 1   |     |         |           |        |
| 038   |     | 856K43-4  | DVC660 NAME PLATE             | 1   |     |         |           |        |
| 039   |     | 266326-2  | TAPPING SCREW 4X18            | 13  |     |         |           |        |
| 040   |     | 183K74-3  | SWITCH CASE SET               | 1   |     |         |           |        |
|       | C10 | 818F86-4  | SWITCH LABEL                  | 1   |     |         |           |        |
|       | D10 |           | INC. 48                       |     |     |         |           |        |
| 045   |     | 687123-7  | STRAIN RELIEF                 | 1   |     |         |           |        |
| 046   |     | 266326-2  | TAPPING SCREW 4X18            | 2   |     |         |           |        |
| 047   |     | 620525-4  | SUB CONTROLLER                | 1   |     |         |           |        |
| 048   |     | 183K74-3  | SWITCH CASE SET               | 1   |     |         |           |        |
|       | C10 | 818F86-4  | SWITCH LABEL                  | 1   |     |         |           |        |
|       | D10 |           | INC. 40                       |     |     |         |           |        |
| 049   |     | 266130-9  | TAPPING SCREW BIND PT 3X16    | 2   |     |         |           |        |
| 050   |     | 699136-6  | POWER SUPPLY CORD UNIT        | 1   |     |         | D6884     |        |
| 050-1 |     | 699136-6  | POWER SUPPLY CORD UNIT        | 1   | O   | D6884   |           |        |
| 051   |     | 162700-1  | HARNESS                       | 1   |     |         |           |        |
| 052   |     | 265008-3  | + FLAT HEAD SCREW M5          | 6   |     |         |           |        |
| A01   |     | 199453-9  | HOSE COMPLETE 32-1.0 SET      | 1   |     |         |           |        |
| A02   |     | 166116-2  | HOSE BAND                     | 1   |     |         |           |        |
| A03   |     | 191C26-2  | FILTER BAG SET                | 1   |     |         |           |        |

A:DVC660Z(N)

Interchange  
O : Yes  
X : No  
< : the new part can be substituted for the current.  
> : the current part can be substituted for the new.  
S : Interchangeable as a set.

