



TH	THAILAND
----	----------

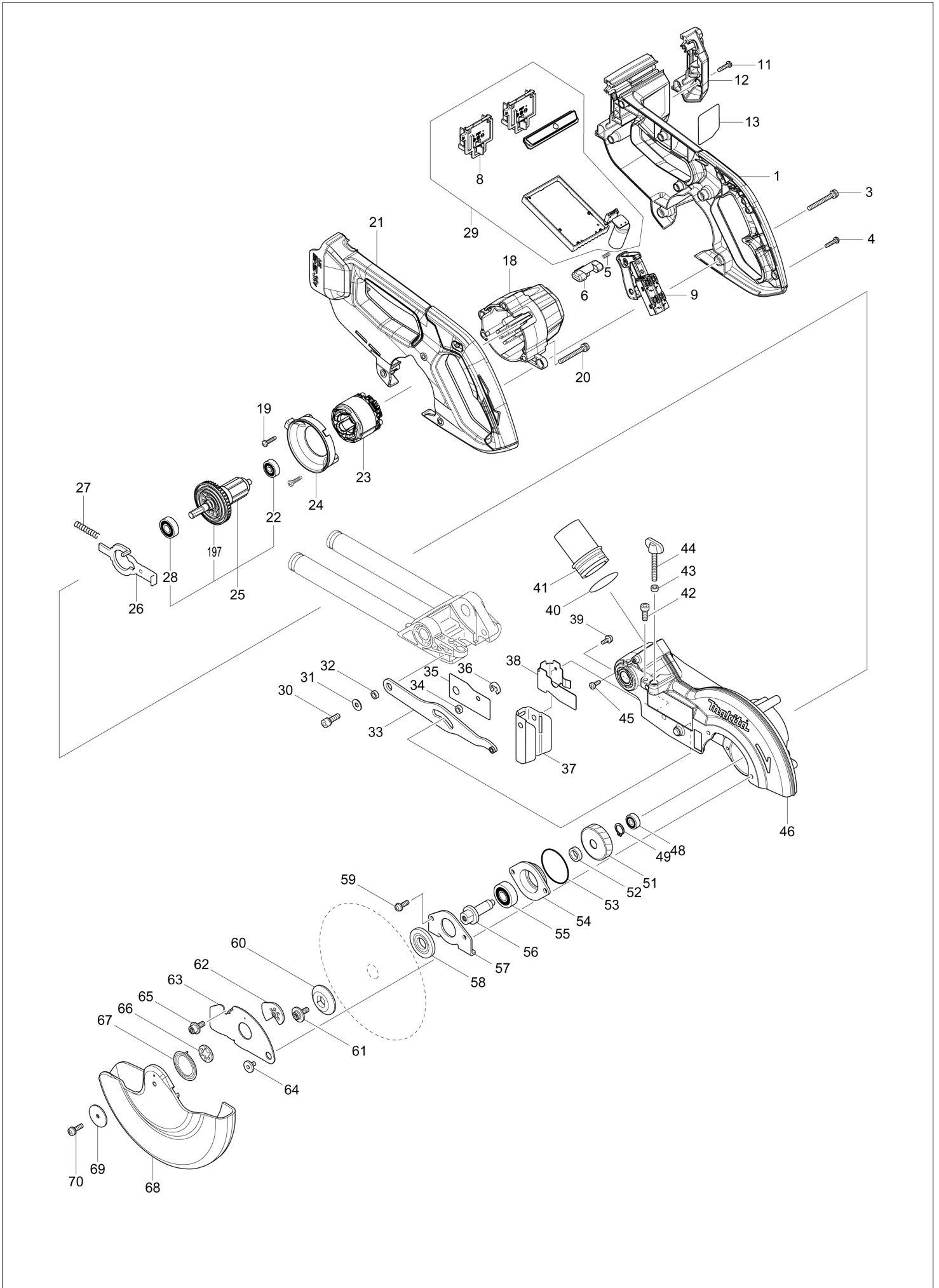
# Diagram / Parts List

**DLS714**

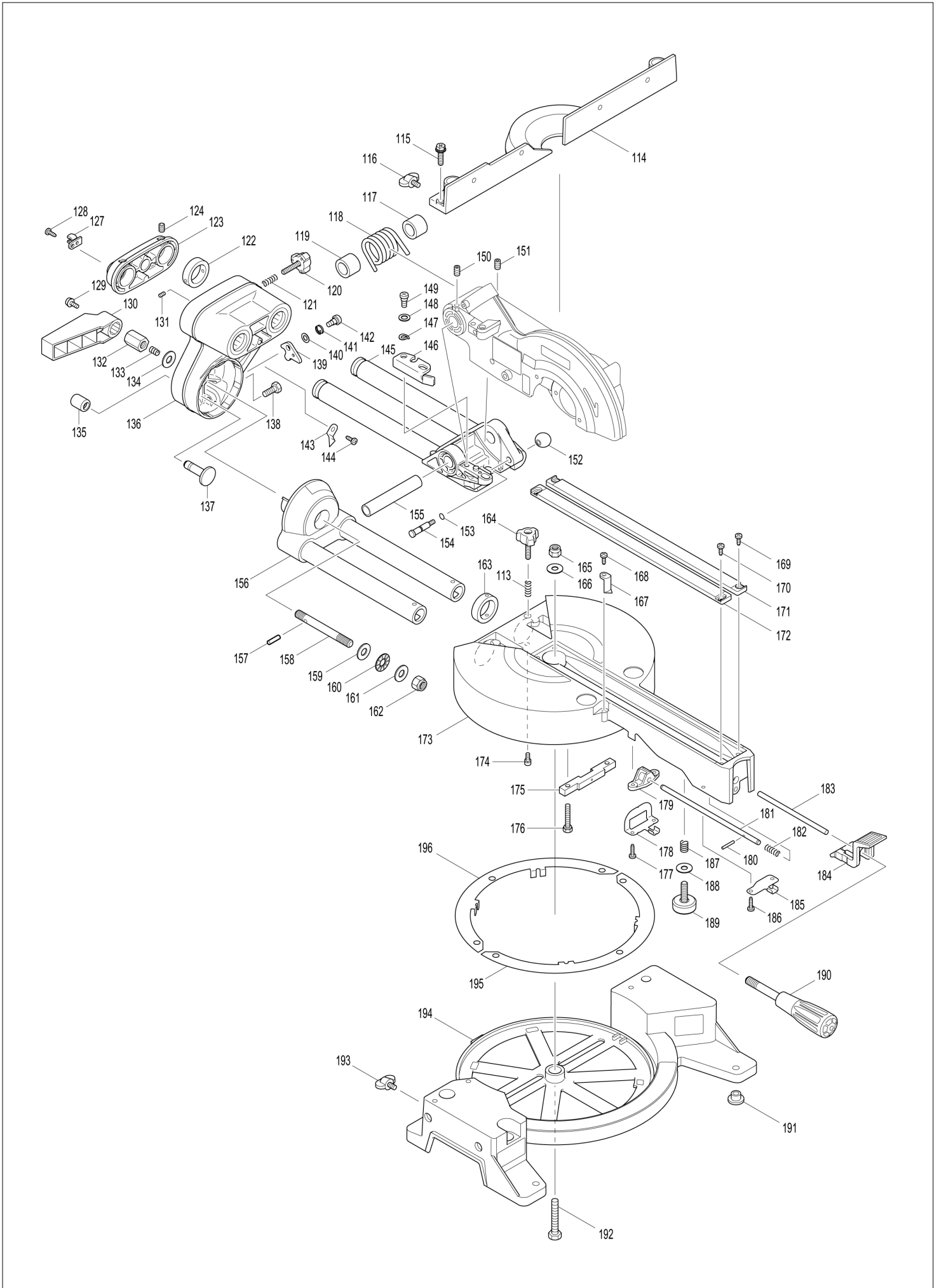
**DC SLIDE COMPOUND MITER SAW**



(TH) DLS714 / DC SLIDE COMPOUND MITER SAW



# (TH) DLS714 / DC SLIDE COMPOUND MITER SAW



<b>TH</b>	<b>THAILAND</b>
-----------	-----------------

### DLS714 / DC SLIDE COMPOUND MITER SAW

Item	Sub	Parts No.	Parts Description	Qty	I/C	E/C No.	Close No.	Remark
001		183B55-3	HANDLE SET	1				
	D10		INC. 21					
003		911268-2	PAN HEAD SCREW M5X45	3				
004		265995-6	TAPPING SCREW 4X18	6			C7193	
004-1		265A48-7	TAPPING SCREW 4X18	6	O	C7193	Z49774	
004-2		265995-6	TAPPING SCREW 4X18	6	O	Z49774		
005		231397-8	COMPRESSION SPRING 4	1				
006		456024-8	LOCK OFF BUTTON	1				
008		644808-8	TERMINAL	2				
009		650756-1	SWITCH 1269.0808	1				
011		265995-6	TAPPING SCREW 4X18	3			C7193	
011-1		265A48-7	TAPPING SCREW 4X18	3	O	C7193	Z49774	
011-2		265995-6	TAPPING SCREW 4X18	3	O	Z49774		
012		143268-6	HANDLE COVER COMPLETE	1				
	C10	263005-3	RUBBER PIN 6	1				
013		851E60-3	DLS714 NAME PLATE	1				
018		456022-2	MOTOR HOUSING	1				
019		265995-6	TAPPING SCREW 4X18	2			C7193	
019-1		265A48-7	TAPPING SCREW 4X18	2	O	C7193	Z49774	
019-2		265995-6	TAPPING SCREW 4X18	2	O	Z49774		
020		911268-2	PAN HEAD SCREW M5X45	3				
021		183B55-3	HANDLE SET	1				
	D10		INC. 1					
022		210017-7	BALL BEARING 607DDW	1				
023		629157-4	STATOR	1			DJ472	
023-1		629B69-3	STATOR	1	S	DJ472		
024		456023-0	BAFFLE PLATE	1				
025		519373-5	ROTOR ASS'Y	1			C5156	
	D10		INC. 22,28,197				C5156	
025-1		519373-5	ROTOR ASS'Y	1	O	C5156	D8895	
	D10		INC. 22,28,197			C5156	D8895	
025-2		519700-6	ROTOR ASS'Y	1	O	D8895		
	D10		INC. 22,28,197			D8895		
026		344681-3	SHAFT LOCK	1				
027		233092-6	COMPRESSION SPRING 5	1				
028		211092-6	BALL BEARING 629DDW	1				
029		143291-1	CONTROLLER COMPLETE	1			C0722	
	D10		INC. 8				C0722	
029-1		140B40-9	CONTROLLER COMPLETE	1	<	C0722	DA939	
	D10		INC. 8			C0722	DA939	
029-2		141G76-1	CONTROLLER COMPLETE	1	<	DA939	DJ472	
	D10		INC. 8			DA939	DJ472	
029-3		141P88-8	CONTROLLER COMPLETE	1	S	DJ472		
	D10		INC. 8			DJ472		
030		922331-6	HEX. SOCKET HEAD BOLT M6X20	1				
031		253804-1	FLAT WASHER 6	1				
032		257163-5	RING 6	1				
033		154643-1	LINK PLATE COMPLETE	1				
034		257163-5	RING 6	1				
035		346330-8	LINK COVER	1				
036		961018-5	STOP RING E-5	1				
037		424045-8	GUARD	1				
038		345438-5	GUARD PLATE	1				
039		911113-1	PAN HEAD SCREW M4X10 WITH WR	1				
040		213460-9	O RING 35	1				
041		419277-0	DUST NOZZLE	1				
042		266757-5	HEX. SOCKET HEAD BOLT M6X16	1				
043		262001-8	URETHANE RING 5	1			Z49774	
043-1		262190-9	URETHANE RING 5	1	O	Z49774		
044		265717-4	SCREW M6X43	1				
045		266026-4	TAPPING SCREW BIND CT 4X12	1				
046		140697-4	BLADE CASE COMPLETE	1				
	C10	263002-9	RUBBER PIN 4	1				
	C20	263005-3	RUBBER PIN 6	1				
048		210017-7	BALL BEARING 607DDW	1				

A:DLS714Z(N)

Interchange  
O : Yes  
X : No  
< : the new part can be substituted for the current.  
> : the current part can be substituted for the new.  
S : Interchangeable as a set.

TH	THAILAND
----	----------

### DLS714 / DC SLIDE COMPOUND MITER SAW

Item	Sub	Parts No.	Parts Description	Qty	I/C	E/C No.	Close No.	Remark
049		961052-5	RETAINING RING (EXT) S-12	1				
051		227810-2	HELICAL GEAR 53	1				
052		257088-3	RING 12	1				
053		213623-7	O RING 46	1				
054		317193-9	BEARING BOX	1				
055		211129-9	BALL BEARING 6201DDW	1				
056		323798-5	SPINDLE	1				
057		285694-4	BEARING RETAINER 58	1				
058		224370-5	INNER FLANGE 40	1				
059		911223-4	PAN HEAD SCREW M5X16	2				
060		224275-9	OUTER FLANGE 40	1				
061		266733-9	HEX. S.F.H. BOLT M6X16	1				
062		345585-2	CENTER PLATE	1				
063		346232-8	CENTER COVER	1				
064		265985-9	HEX.SOCKET HEAD BOLT M6	1				
065		266732-1	HEX. SOCKET HEAD BOLT M6X16	1				
066		345589-4	CENTER WASHER	1				
067		231934-8	SPIRAL SPRING 26	1				
068		419123-7	SAFETY COVER	1				
069		267136-0	FLAT WASHER 5	1				
070		265491-4	H.S. BUTTON HEAD BOLT M5X16	1				
113		231325-3	COMPRESSION SPRING 6	1				
114		318655-0	GUIDE FENCE	1				
115		922344-7	H.S.H.BOLT M6X25 WITH WG	3				
116		251887-5	SCREW M6X10	1				
117		416535-5	SLEEVE 17	1				
118		233520-1	TORSION SPRING 28	1				
119		416535-5	SLEEVE 17	1				
120		265790-4	THUMB SCREW M6X28	1				
121		231325-3	COMPRESSION SPRING 6	1				
122		257214-4	RING 26	1				
123		318651-8	PIPE HOLDER	1				
124		266208-8	H.S.SET SCREW(CUP POINT)M6X8	2				
127		687045-1	STRAIN RELIEF	1				
128		266026-4	TAPPING SCREW BIND CT 4X12	1				
129		911113-1	PAN HEAD SCREW M4X10 WITH WR	1				
130		416006-2	LEVER 100	1				
131		913106-4	SET SCREW M4X8	1				
132		252144-4	HEX. NUT M10-17	1				
133		231266-3	COMPRESSION SPRING 5	1				
134		253024-7	FLAT WASHER 10	1				
135		286236-7	CAP 16	1				
136		140609-7	ARM COMPLETE	1				
	C10	211376-2	LINEAR BALL BEARING 2560	2				
	C20	262077-5	FELT RING 25	4				
	C30	263005-3	RUBBER PIN 6	2				
	C40	344638-4	CAP 35	2				
137		324295-4	RELEASE PIN	1				
138		266757-5	HEX. SOCKET HEAD BOLT M6X16	2				
139		345299-3	STOPPER PLATE	1				
140		253726-5	FLAT WASHER 6	1				
141		231663-3	TORSION SPRING 8	1				
142		265113-6	+PAN HEAD SCREW M5	1				
143		343678-9	POINTER	1				
144		266026-4	TAPPING SCREW BIND CT 4X12	1				
145		140608-9	FRONT ARM COMPLETE	1				
146		344643-1	STOPPER ARM	1				
147		253948-7	WAVE WASHER 8	1				
148		253835-0	FLAT WASHER 8	1				
149		251267-5	+ PAN HEAD SCREW M6	1				
150		251961-9	H.S.SET SCREW(FLAT POINT)M6X10	1				
151		251961-9	H.S.SET SCREW(FLAT POINT)M6X10	1				
152		271601-3	KNOB 20	1				
153		213021-5	O RING 5	1				
154		324183-5	STOPPER PIN	1				

A:DLS714Z(N)

Interchange  
 O : Yes  
 X : No  
 < : the new part can be substituted for the current.  
 > : the current part can be substituted for the new.  
 S : Interchangeable as a set.

TH	THAILAND
----	----------

### DLS714 / DC SLIDE COMPOUND MITER SAW

Item	Sub	Parts No.	Parts Description	Qty	I/C	E/C No.	Close No.	Remark
155		331350-5	PIN 16-90	1				
156		140610-2	ARM HOLDER COMPLETE	1				
	C10	816392-5	BEVEL SCALE LABEL	1				
157		256123-4	PIN 5	1				
158		266320-4	SCREW M10	1				
159		253024-7	FLAT WASHER 10	1				
160		216413-7	THRUST NEEDLE CAGE 1024	1				
161		253024-7	FLAT WASHER 10	1				
162		252130-5	HEX. LOCK NUT M10-17	1				
163		257214-4	RING 26	1				
164		265790-4	THUMB SCREW M6X28	1				
165		252105-4	HEX. LOCK NUT M8-13	1				
166		253731-2	FLAT WASHER 8	1				
167		416355-7	INDICATION PLATE	1				
168		266026-4	TAPPING SCREW BIND CT 4X12	1				
169		266026-4	TAPPING SCREW BIND CT 4X12	2				
170		266026-4	TAPPING SCREW BIND CT 4X12	2				
171		419103-3	KERF BOARD	1				
172		419103-3	KERF BOARD	1				
173		140614-4	TURN BASE COMPLETE	1				
	C10	211376-2	LINEAR BALL BEARING 2560	2				
	C20	262077-5	FELT RING 25	4				
	C30	263005-3	RUBBER PIN 6	1				
	C40	344638-4	CAP 35	2				
	C50	810495-7	CAUTION LABEL	1				
	C60	817283-3	CAUTION LABEL	2			C5849	
	C61	813L22-1	CAUTION LABEL	2	<	C5849		
174		922111-0	HEX. SOCKET HEAD BOLT M4X10	1				
175		153580-6	SQUARE ROD COMPLETE	1				
	C10	263005-3	RUBBER PIN 6	1				
176		925251-3	HEX.BOLT M5X30	2				
177		266034-5	TAPPING SCREW CT 4X16	2				
178		344601-7	LOCK PLATE	1				
179		317616-7	PIN HOLDER	1				
180		256158-5	PIN 3	1				
181		324288-1	LOCK PIN	1				
182		231325-3	COMPRESSION SPRING 6	1				
183		324289-9	ROD 6	1				
184		416450-3	LOCK LEVER	1				
185		345272-3	LOCK LEVER PLATE	1				
186		266034-5	TAPPING SCREW CT 4X16	2				
187		231418-6	COMPRESSION SPRING 9	1				
188		253731-2	FLAT WASHER 8	1				
189		266432-3	ADJUST BOLT M8X27	1				
190		273658-0	GRIP 32	1				
191		286212-1	CAP 20	5				
192		921472-5	HEX. BOLT M8X50	1				
193		251887-5	SCREW M6X10	2			C5849	
193-1		911318-3	P.H.SCREW M6X14 WITH WR	2	<	C5849		
194		140612-8	BASE COMPLETE	1				
	C10	816339-9	MITER SCALE PLATE	1				
	C20	810486-8	CAUTION LABEL	1				
195		344646-5	SLIDE PLATE	1				
196		344646-5	SLIDE PLATE	1				
197		240033-5	FAN 57	1				
204		620K96-7	CONTROLLER B	1	S	DJ472		
205		652119-7	PAN HEAD SCREW M2X6	6	S	DJ472		
A01		122571-8	VICE ASS'Y	1				
	C10	316938-2	WISE ARM	1				
	C20	251887-5	SCREW M6X10	1				
	C30	322313-2	WISE ROD	1				
	C40	265733-6	THUMB SCREW M10X60	1				
	C50	253804-1	FLAT WASHER 6	1				
	C60	343651-9	WISE PLATE	1				
	C70	251370-2	+ PAN HEAD SCREW M5	1				

A:DLS714Z(N)

Interchange  
 O : Yes  
 X : No  
 < : the new part can be substituted for the current.  
 > : the current part can be substituted for the new.  
 S : Interchangeable as a set.

