



TH	THAILAND
----	----------

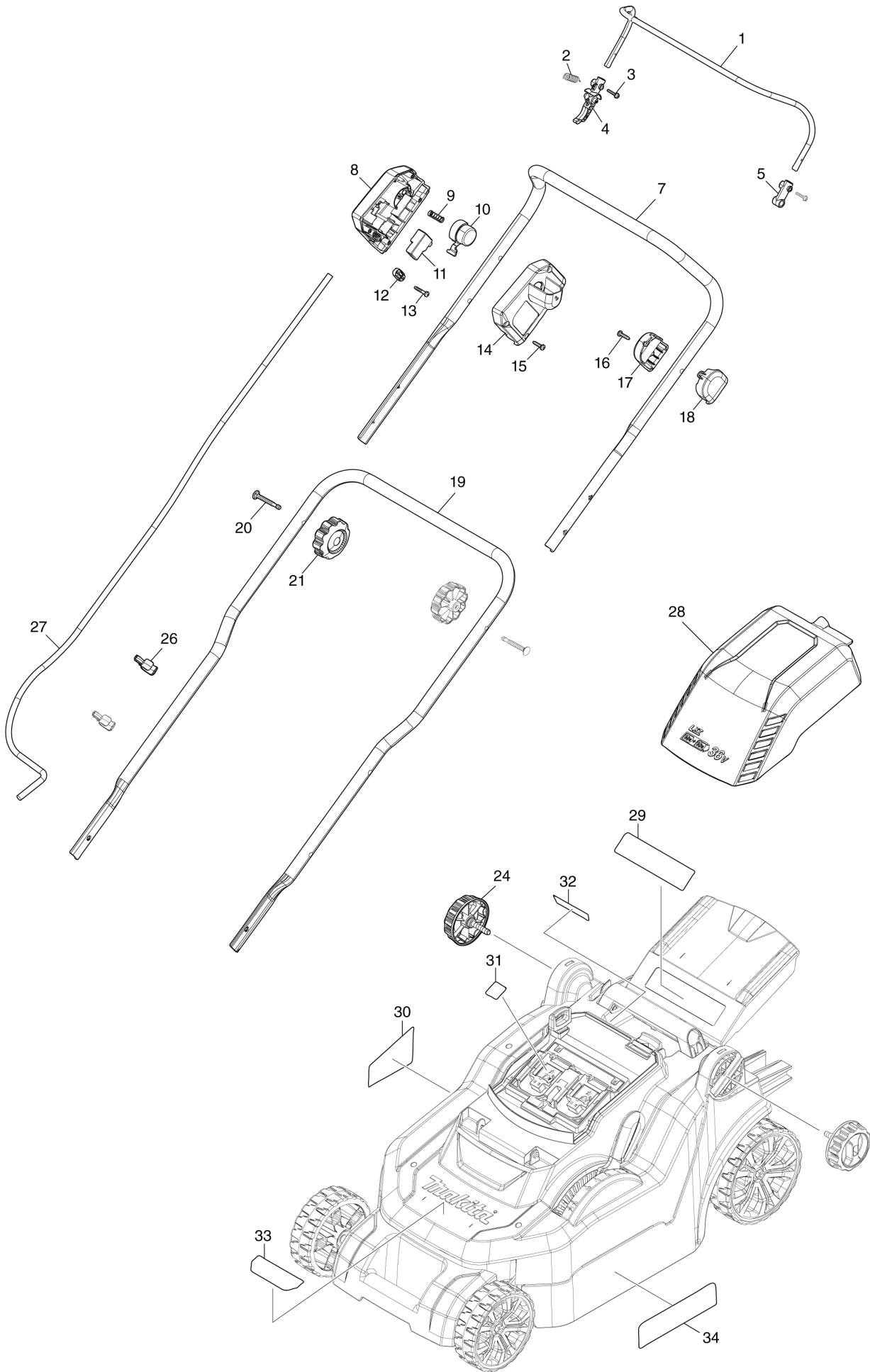
Diagram / Parts List

DLM382

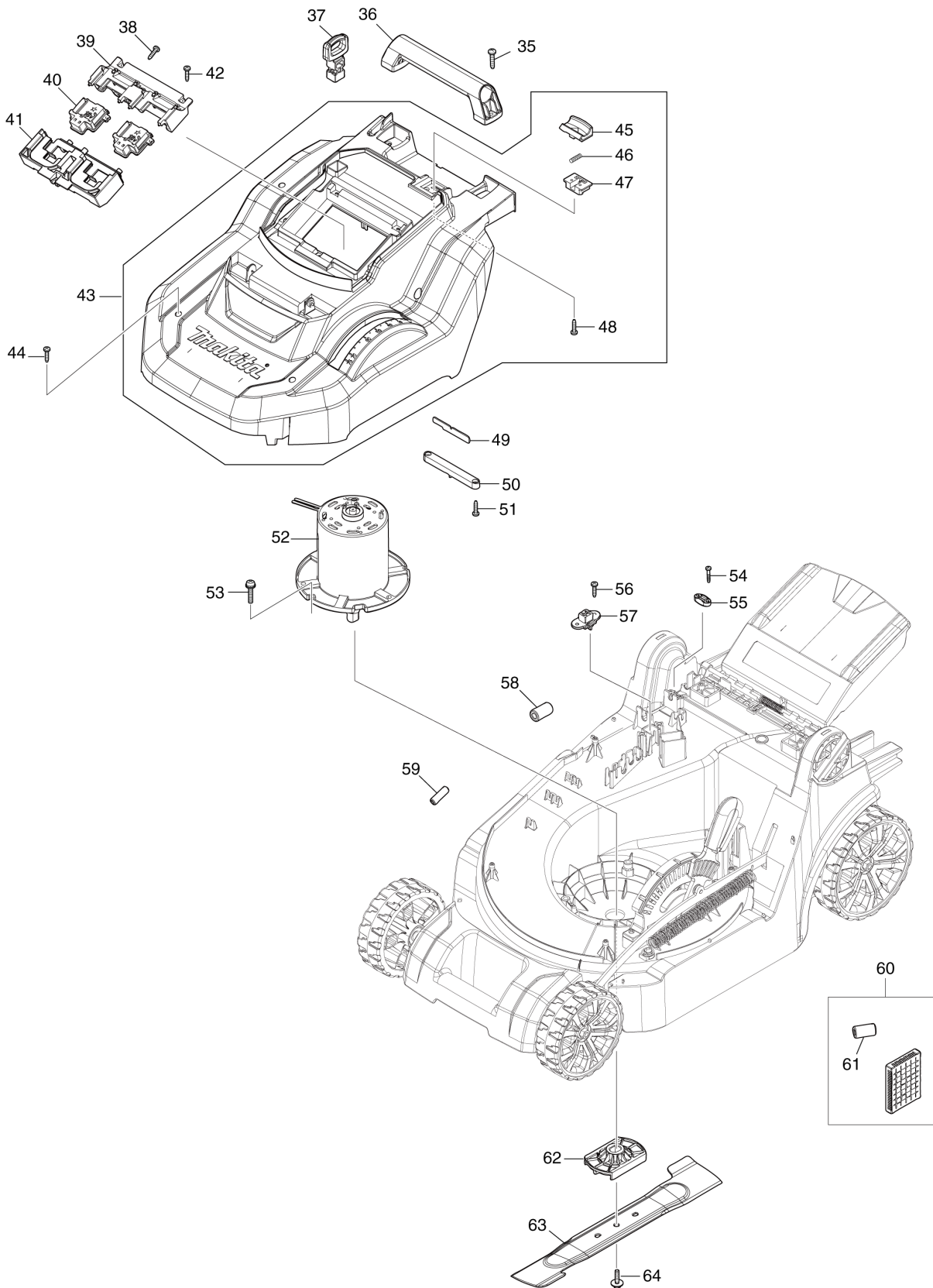
380MM CORDLESS LAWN MOWER



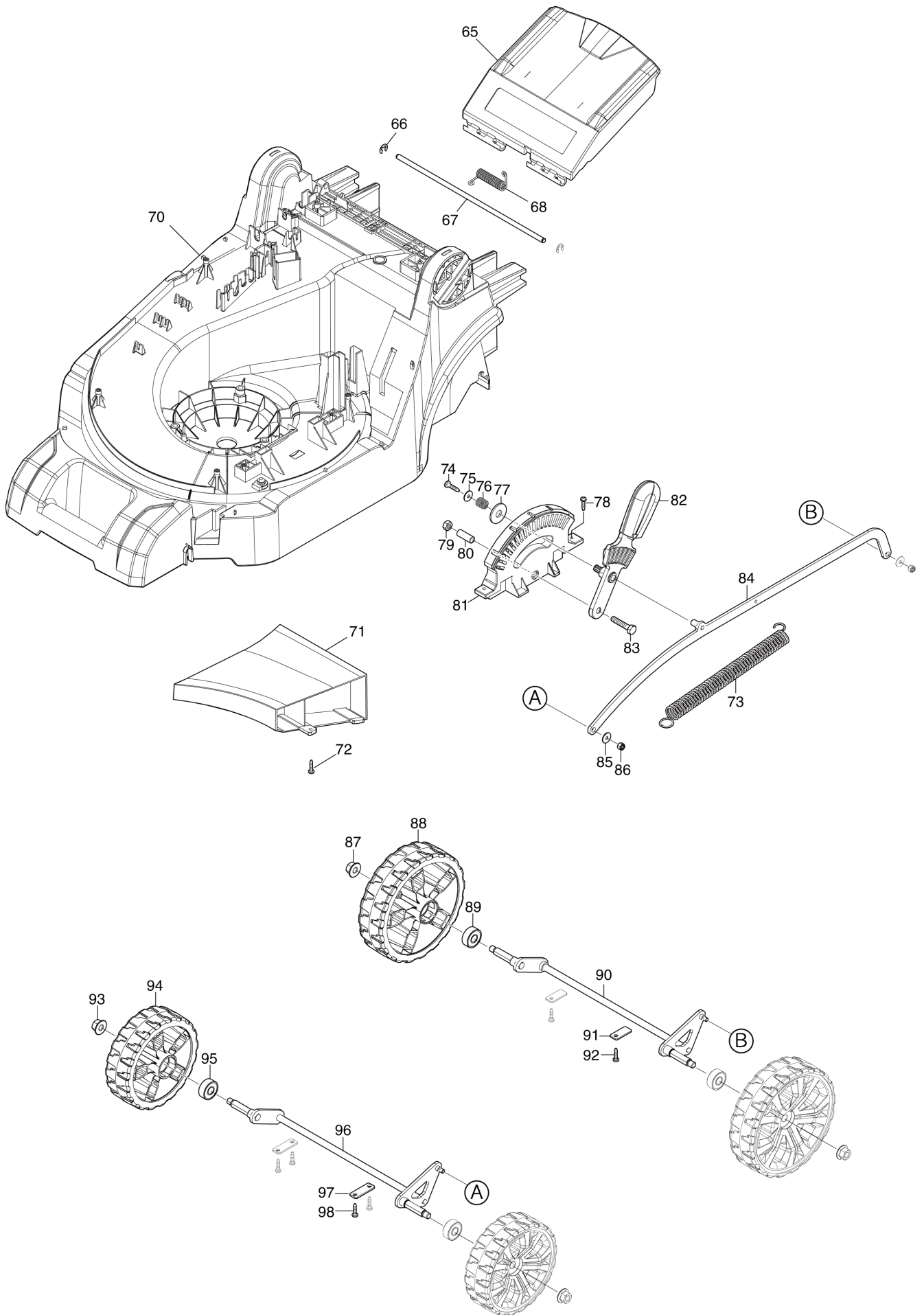
(TH) DLM382 / 380MM CORDLESS LAWN MOWER



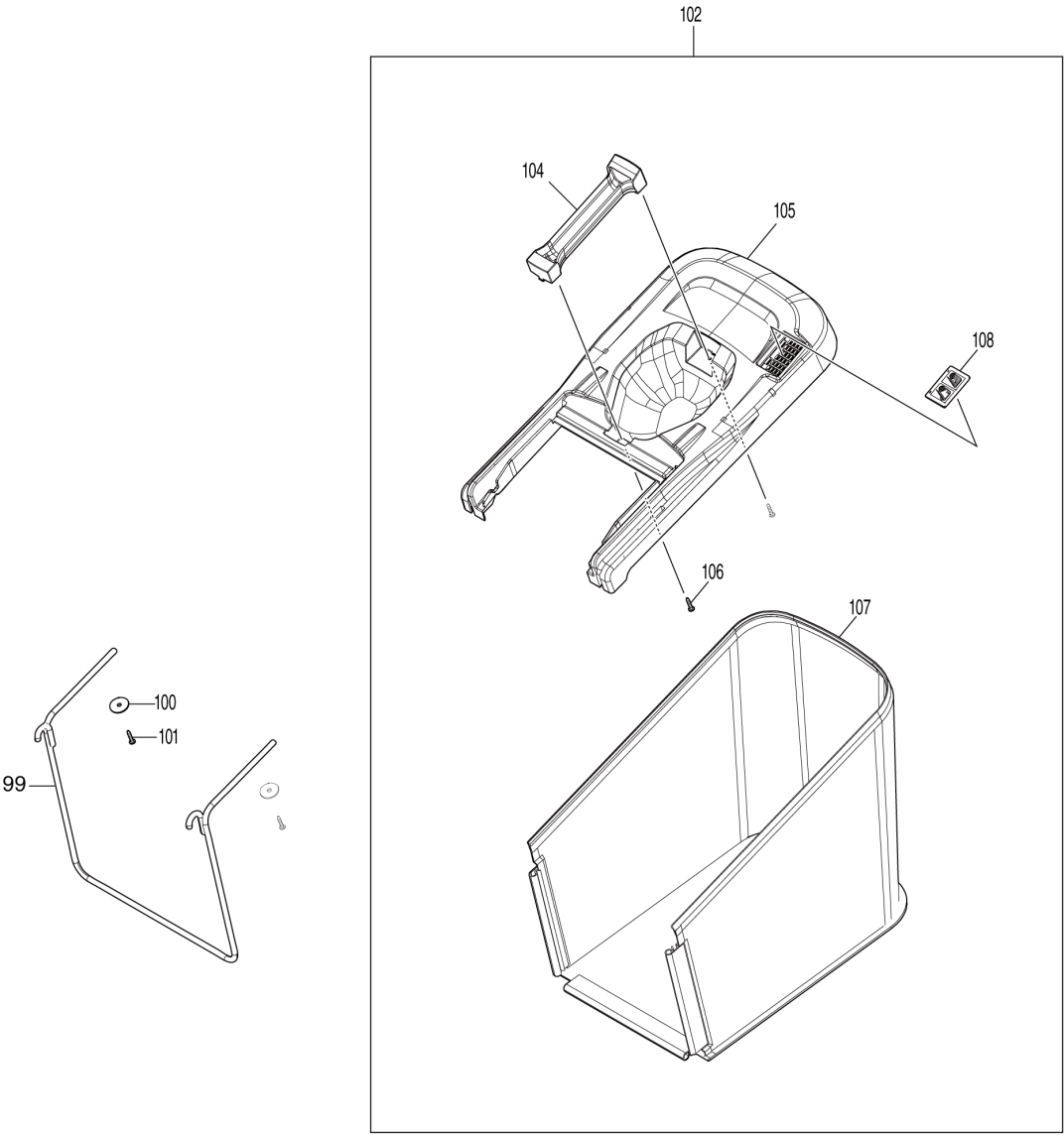
(TH) DLM382 / 380MM CORDLESS LAWN MOWER



(TH) DLM382 / 380MM CORDLESS LAWN MOWER



(TH) DLM382 / 380MM CORDLESS LAWN MOWER



TH	THAILAND
----	----------

DLM382 / 380MM CORDLESS LAWN MOWER

Item	Sub	Parts No.	Parts Description	Qty	I/C	E/C No.	Close No.	Remark
001		326636-0	SWITCH LEVER	1				
002		231876-6	TENSION SPRING 9	1				
003		911138-5	P.H.SCREW M4X20 WITH WR	2				
004		455075-8	LEVER	1				
005		455078-2	ARM	1				
007		143510-5	UPPER PIPE COMPLETE	1				
008		459804-1	SWITCH BOX	1				
009		233068-3	COMPRESSION SPRING 6	1				
010		455074-0	SWITCH BUTTON	1				
011		650730-9	SWITCH TG72BD-6	1				
012		687124-5	STRAIN RELIEF	1				
013		265999-8	TAPPING SCREW 4X25	2				
014		140N15-0	SWITCH BOX COVER COMPLETE K	1				
	C10	890374-5	INDICATION LABEL	1				
015		266326-2	TAPPING SCREW 4X18	4				
016		266326-2	TAPPING SCREW 4X18	1				
017		456352-1	SWITCH LEVER CASE COVER	1				
018		456351-3	SWITCH LEVER CASE	1				
019		327413-3	LOWER PIPE	1				
020		265A14-4	CUP H. SQUARE NECK BOLT M6X50	2				
021		264070-5	THUMB NUT M6	2				
024		266729-0	THUMB SCREW M8X35	2				
026		459809-1	HOLDER	2				
027		660393-3	POWER SUPPLY CORD	1				
028		140N21-5	BATTERY COVER COMPLETE E	1				
	C10	8005W1-7	CAUTION LABEL	1				
029		890375-3	CAUTION LABEL	1				
030		856L30-9	DLM382 NAME PLATE	1				
031		856L35-9	DLM382 SERIAL NO. LABEL	1				
032		8005W9-1	INDICATION LABEL	1				
033		8005W7-5	INDICATION LABEL	1				
034		8005W8-3	INDICATION LABEL	1				
035		266459-3	TAPPING SCREW 5X25	2				
036		273675-0	GRIP A	1				
037		643890-4	KEY	1				
038		266326-2	TAPPING SCREW 4X18	3				
039		183N35-1	TERMINAL HOUSING SET	1				
	C10	263005-3	RUBBER PIN 6	4				
	D10		INC. 41					
040		644809-6	TERMINAL	2				
041		183N35-1	TERMINAL HOUSING SET	1				
	C10	263005-3	RUBBER PIN 6	4				
	D10		INC. 39					
042		266326-2	TAPPING SCREW 4X18	3				
043		127393-1	COWLING M ASSEMBLY	1				
	D10		INC. 45-48					
044		266326-2	TAPPING SCREW 4X18	4				
045		453250-0	LOCK LEVER	1				
046		233173-6	COMPRESSION SPRING 4	1			DA533	
046-1		LC233173-6	COMPRESSION SPRING 4	1	O	DA533		
047		453251-8	LOCK LEVER SUPPORT	1				
048		266326-2	TAPPING SCREW 4X18	2				
049		620B91-3	LED CIRCUIT	1				
050		455070-8	LED COVER	1				
051		266326-2	TAPPING SCREW 4X18	2				
052		629A17-6	DC MOTOR	1		D3555	DG248	
052-1		629A17-6	DC MOTOR	1	O	DG248		
053		266774-5	+ PAN HEAD SCREW M6X30 WITH WR	3				
054		265999-8	TAPPING SCREW 4X25	2				
055		687124-5	STRAIN RELIEF	1				
056		266326-2	TAPPING SCREW 4X18	2				
057		638946-6	LEAD UNIT	1				
060		632P18-5	CONTROLLER UNIT	1			DG342	
	C10	654208-4	RECEPTACLE	1			DD793	
	C11	654199-9	RECEPTACLE	1	O	DD793	DG342	

A:DLM382Z(N)
B:DLM382PT2(H)

Interchange
O : Yes
X : No
< : the new part can be substituted for the current.
> : the current part can be substituted for the new.
S : Interchangeable as a set.

TH

THAILAND

DLM382 / 380MM CORDLESS LAWN MOWER

Item	Sub	Parts No.	Parts Description	Qty	I/C	E/C No.	Close No.	Remark
060-1		632U25-8	CONTROLLER UNIT	1	<	DG342		
	C11	654199-9	RECEPTACLE	1	O	DG342		
062		459811-4	BLADE SUPPORT	1				
063		191D41-2	BLADE 380 SET	1				
064		256933-9	HEX. HEAD BOLT M8X35 WITH WG	1				
065		140S15-0	REAR FLAP COMPLETE	1				
	D10		INC. 29					
066		LC961018-5	STOP RING (EXT) E-5	2				
067		259068-5	ROD 6	1				
068		LC233597-6	TORSION SPRING 8	1				
070		459777-8	DECK	1				
	C10	346544-9	PLATE NUT M8	2				
	C20	931302-2	HEX. NUT M6	3				
071		412272-9	UNDER COVER	1				
072		266326-2	TAPPING SCREW 4X18	3				
073		LC231875-8	TENSION SPRING 16	1				
074		266326-2	TAPPING SCREW 4X18	1				
075		LC267102A7	FLAT WASHER 4	1				
076		LC231297-2	COMPRESSION SPRING 9	1				
077		LC253808A3	FLAT WASHER 9	1				
078		266326-2	TAPPING SCREW 4X18	2				
079		931302-2	HEX. NUT M6	1				
080		LC257670A8	SLEEVE 6	1				
081		453255-0	ADJUST PLATE	1				
082		459099-6	CHANGE LEVER	1				
083		LC921352-5	HEX.BOLT M6X30	1				
084		347571-9	CONNECTING ROD	1				
085		LC941101-4	FLAT WASHER 5	2				
086		252103-8	HEX. LOCK NUT M5-8	2				
087		LC252145-2	COLLARED HEX. NUT M8	2				
088		459101-5	REAR WHEEL	2				
089		LC210070-3	BALL BEARING 6200ZZ	2				
090		162683-5	REAR SHAFT	1			DP008	
090-1		162C98-4	REAR SHAFT	1	<	DP008		
091		LC346545-7	PLATE	2				
092		266326-2	TAPPING SCREW 4X18	2				
093		LC252145-2	COLLARED HEX. NUT M8	2				
094		459100-7	FRONT WHEEL	2				
095		LC210070-3	BALL BEARING 6200ZZ	2				
096		162682-7	FRONT SHAFT	1			DL892	
096-1		162C69-1	FRONT SHAFT	1	O	DL892		
097		341462-6	PLATE	2				
098		266326-2	TAPPING SCREW 4X18	4				
099		327411-7	REAR BAG ROD	1				
100		267438-4	FLAT WASHER 5	2				
101		266326-2	TAPPING SCREW 4X18	2				
102		127392-3	REAR BAG ASSEMBLY M	1				
	D10		INC. 104-108					
104		273676-8	GRIP B	1				
105		459812-2	REAR BAG COVER	1				
106		266326-2	TAPPING SCREW 4X18	2				
107		162684-3	REAR BAG	1				
108		459806-7	INDICATOR M	1				
A01		782016-4	OFFSET WRENCH 13	1				
A02B		***DC18RD	DC18RD TWO PORT FAST CHARGER	1				
	D10		COMPO-PARTS					
A03B		199282-0	BATTERY BL1850B SET	2				

A:DLM382Z(N)
B:DLM382PT2(H)

Interchange
O : Yes
X : No
< : the new part can be substituted for the current.
> : the current part can be substituted for the new.
S : Interchangeable as a set.