



TH	THAILAND
----	----------

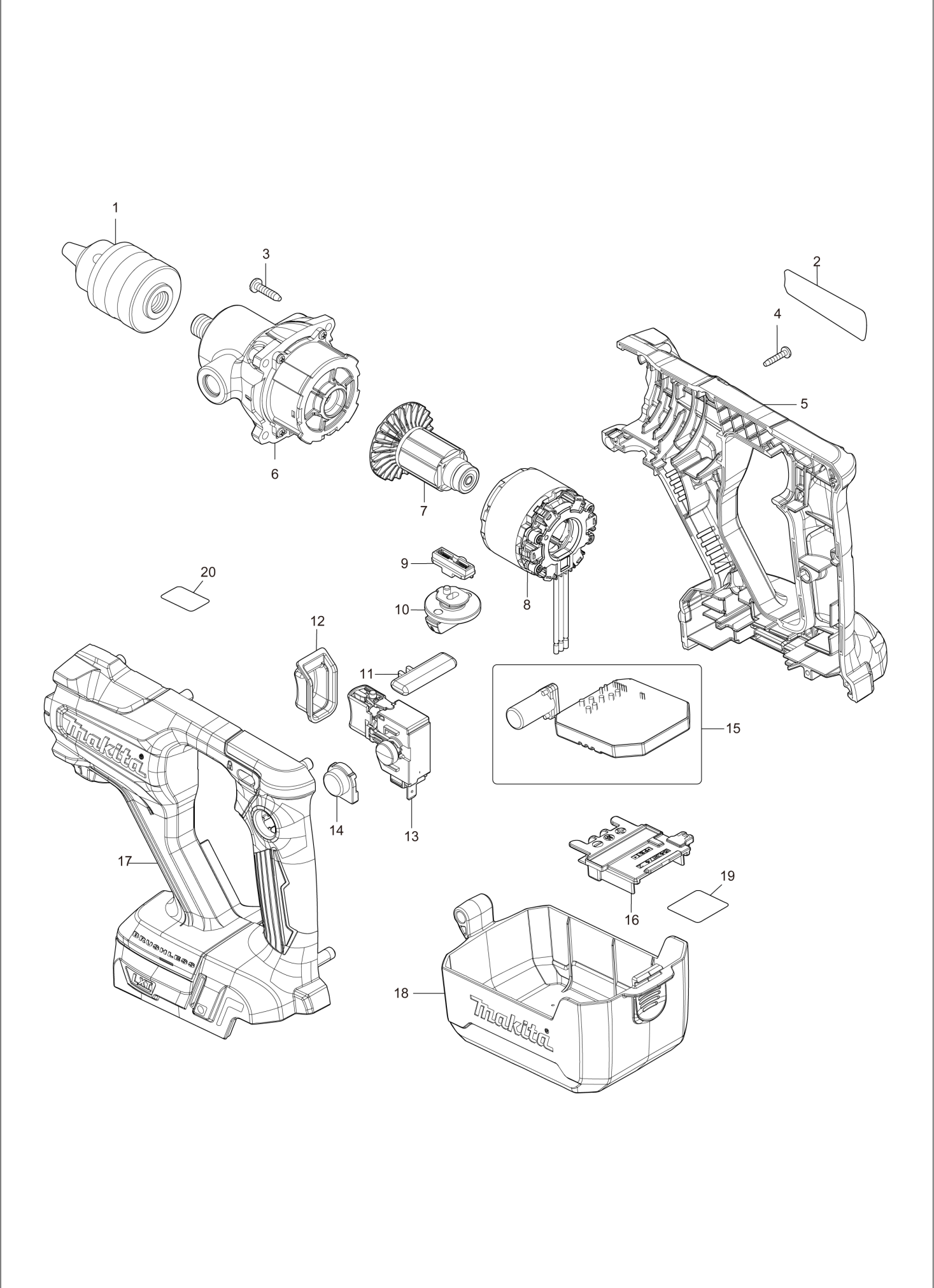
Diagram / Parts List

DUT131

CORDLESS MIXER



(TH) DUT131 / CORDLESS MIXER



TH	THAILAND
-----------	-----------------

DUT131 / CORDLESS MIXER

Item	Sub	Parts No.	Parts Description	Qty	I/C	E/C No.	Close No.	Remark
001		766016-2	DRILL CHUCK S13	1				
002		855L25-9	DUT131 NAME PLATE	1				
003		265995-6	TAPPING SCREW 4X18	4			C7359	
003-1		266045-0	TAPPING SCREW 4X20	4	<	C7359		
004		266130-9	TAPPING SCREW BIND PT 3X16	10				
005		183L06-6	HOUSING SET	1				
	C10	263005-3	RUBBER PIN 6	2				
	C20	252126-6	HEX. LOCK NUT M4-7	2				
	D10		INC. 17					
006		127065-8	GEAR ASSEMBLY	1				
007		619551-8	ROTOR	1				
008		629396-6	STATOR	1				
009		127066-6	CHANGE LEVER ASSEMBLY	1				
	C10	232518-5	COMPRESSION SPRING 4	2				
010		127282-0	SPEED CHANGE LEVER ASSEMBLY	1				
	C10	213118-0	O RING 12	1				
011		458822-6	LOCK LEVER	1				
012		458816-1	SWITCH COVER	1				
013		651088-9	SWITCH C3JW-4B-1L	1				
014		458819-5	LOCK ON BUTTON COVER	1				
015		620972-9	CONTROLLER	1				
016		643874-2	TERMINAL	1				
017		183L06-6	HOUSING SET	1				
	C10	263005-3	RUBBER PIN 6	2				
	C20	252126-6	HEX. LOCK NUT M4-7	2				
	D10		INC. 5					
018		458820-0	COVER	1				
019		855L31-4	DUT131 SERIAL NO. LABEL	1				
A01		140G50-6	GRIP COMPLETE	1				
A02		459241-9	FRONT COVER	1				
A03		763448-4	CHUCK KEY S13	1				
A04		831253-8	TOTE BAG	1			D2664	
A05B		450128-8	BATTERY COVER	2				
A06B		***DC18RC	DC18RC FAST CHARGER	1				
	D10		COMPO-PARTS					
A07B		199282-0	BATTERY BL1850B SET	2			D0161	
A07-1B		199282-0	BATTERY BL1850B SET	2	<	D0161		

A: DUT131Z(N)
B: DUT131RTE(H)

Interchange
O : Yes
X : No
< : the new part can be substituted for the current.
> : the current part can be substituted for the new.
S : Interchangeable as a set.