



TH	THAILAND
----	----------

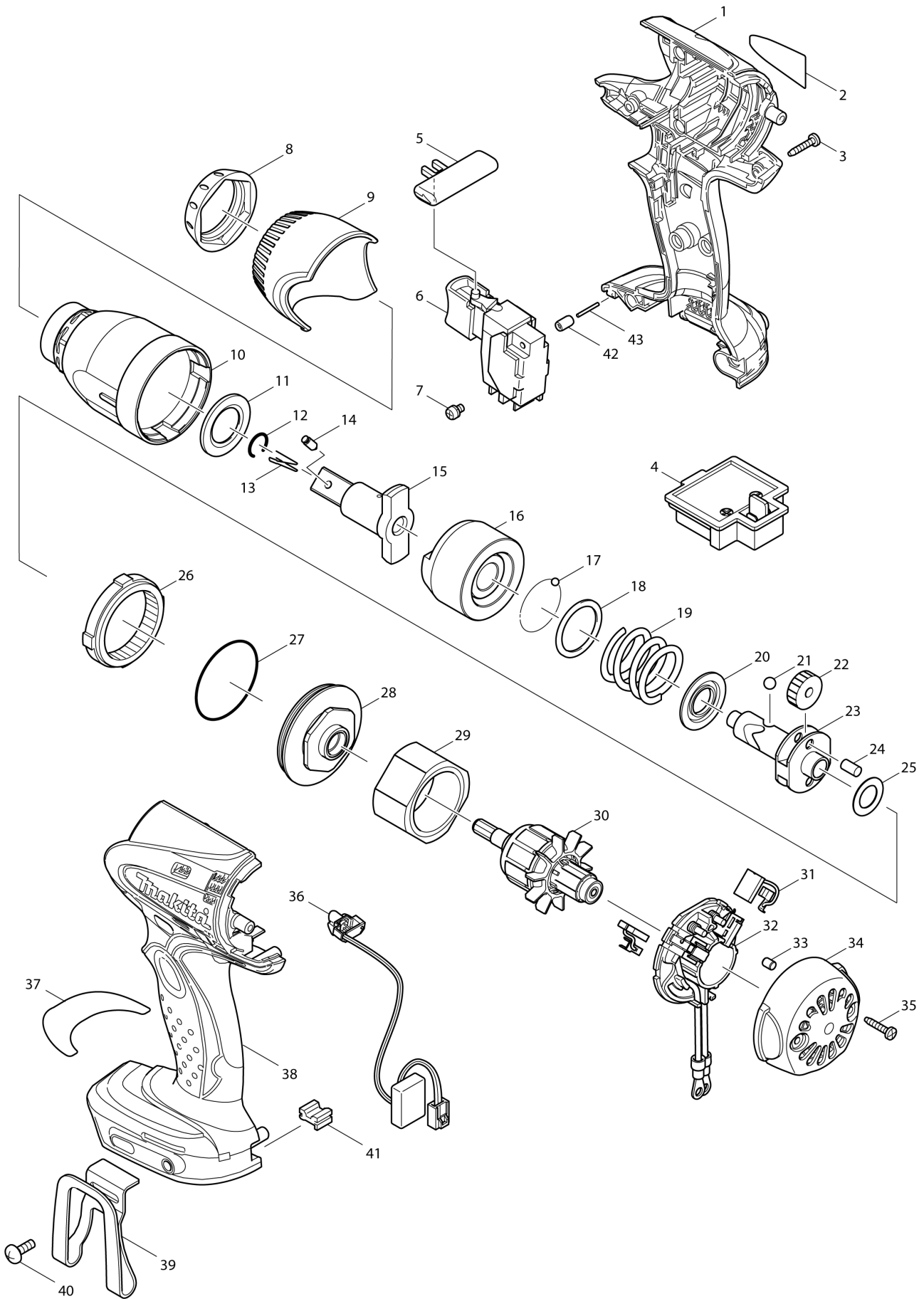
Diagram / Parts List

DTW251

CORDLESS IMPACT WRENCH



(TH) DTW251 / CORDLESS IMPACT WRENCH



TH	THAILAND
-----------	-----------------

DTW251 / CORDLESS IMPACT WRENCH

Item	Sub	Parts No.	Parts Description	Qty	I/C	E/C No.	Close No.	Remark
001		188243-5	HOUSING SET	1				
	C10	263005-3	RUBBER PIN 6	2				
	D10		INC. 38					
002		815E48-7	DTW251 NAME PLATE	1			D2833	
002-1		857J88-9	DTW251 NAME PLATA	1	S	D2833		
003		266130-9	TAPPING SCREW BIND PT 3X16	8				
004		643852-2	TERMINAL	1				
005		419041-9	F/R CHANGE LEVER	1				
006		650652-3	SWITCH TG553FSB-1B	1				
007		652045-0	+PAN HEAD SCREW M3.5X5	2				
008		424375-7	BUMPER	1				
009		452439-7	HAMMER CASE COVER	1				
010		140171-2	HAMMER CASE COMPLETE	1				
011		261116-8	NYLON WASHER 18	1				
012		231907-1	RING SPRING 10	1				
015		324706-9	ANVIL	1				
016		324703-5	HAMMER	1				
017		216001-0	STEEL BALL 3.5	24			D0295	
017-1		216040-0	STEEL BALL 3.5	24	O	D0295		
018		267175-0	FLAT WASHER 24	1				
019		234337-5	COMPRESSION SPRING 25	1				
020		267766-7	CUP WASHER 14	1				
021		216011-7	STEEL BALL 5.6	2				
022		227233-4	SPUR GEAR 22	2				
023		324220-5	SPINDLE	1				
024		256253-1	PIN 5	2				
025		267212-0	FLAT WASHER 12	1				
026		227150-8	INTERNAL GEAR 51	1				
027		213507-9	O RING 40	1				
028D		158145-9	BEARING BOX COMPLETE	1			Z25405	
028E		158145-9	BEARING BOX COMPLETE	1			Z25405	
028F		158145-9	BEARING BOX COMPLETE	1			Z25405	
028-1D		143035-9	BEARING BOX COMPLETE	1	O	Z25405		
028-1E		143035-9	BEARING BOX COMPLETE	1	O	Z25405		
028-1F		143035-9	BEARING BOX COMPLETE	1	O	Z25405		
028-1G		143035-9	BEARING BOX COMPLETE	1				
028-1Y		143035-9	BEARING BOX COMPLETE	1				
029		638495-3	YORK UNIT	1				
030D		619253-6	ARMATURE	1			A7514	
030E		619253-6	ARMATURE	1			A7514	
030F		619253-6	ARMATURE	1			A7514	
030Y		619253-6	ARMATURE	1			A7514	
030-1D		619375-2	ARMATURE	1	<	A7514		
030-1E		619375-2	ARMATURE	1	<	A7514		
030-1F		619375-2	ARMATURE	1	<	A7514		
030-1G		619375-2	ARMATURE	1				
030-1Y		619375-2	ARMATURE	1	<	A7514		
031D		196855-0	CARBON BRUSH CB-448	1			B1033	
031E		196855-0	CARBON BRUSH CB-448	1			B1033	
031F		196855-0	CARBON BRUSH CB-448	1			B1033	
031Y		196855-0	CARBON BRUSH CB-448	1			B1033	
031-1D		196855-0	CARBON BRUSH CB-448	1	S	B1033	C4463	
031-1E		196855-0	CARBON BRUSH CB-448	1	S	B1033	C4463	
031-1F		196855-0	CARBON BRUSH CB-448	1	S	B1033	C4463	
031-1G		196855-0	CARBON BRUSH CB-448	1			C4463	
031-1Y		196855-0	CARBON BRUSH CB-448	1	S	B1033	C4463	
031-2		198887-3	CARBON BRUSH CB-5	1	S	C4463		
032D		638498-7	BRUSH HOLDER COMPLETE	1			B1033	
032E		638498-7	BRUSH HOLDER COMPLETE	1			B1033	
032F		638498-7	BRUSH HOLDER COMPLETE	1			B1033	
032Y		638498-7	BRUSH HOLDER COMPLETE	1			B1033	
032-1D		632G49-0	BRUSH HOLDER COMPLETE	1	S	B1033	C4463	
	C10	689181-9	SPACER	2		B1033	C4463	
	D10		INC. 31			B1033	C4463	
032-1E		632G49-0	BRUSH HOLDER COMPLETE	1	S	B1033	C4463	

D:DTW251RFE(H)
E:DTW251Z(N)
F:DTW251RHE(H)
G:DTW251RYE(H)
Y:DTW251RME(H)

Interchange
O : Yes
X : No
< : the new part can be substituted for the current.
> : the current part can be substituted for the new.
S : Interchangeable as a set.

TH	THAILAND
-----------	-----------------

DTW251 / CORDLESS IMPACT WRENCH

Item	Sub	Parts No.	Parts Description	Qty	I/C	E/C No.	Close No.	Remark
	C10	689181-9	SPACER	2		B1033	C4463	
	D10		INC. 31			B1033	C4463	
032-1F		632G49-0	BRUSH HOLDER COMPLETE	1	S	B1033	C4463	
	C10	689181-9	SPACER	2		B1033	C4463	
	D10		INC. 31			B1033	C4463	
032-1G		632G49-0	BRUSH HOLDER COMPLETE	1			C4463	
	C10	689181-9	SPACER	2			C4463	
	D10		INC. 31				C4463	
032-1Y		632G49-0	BRUSH HOLDER COMPLETE	1	S	B1033	C4463	
	C10	689181-9	SPACER	2		B1033	C4463	
	D10		INC. 31			B1033	C4463	
032-2		632L18-1	BRUSH HOLDER COMPLETE	1	<	C4463		
	D10		INC. 31			C4463		
033		263032-0	RUBBER PIN 4	2				
034		418981-8	REAR COVER	1				
035		266130-9	TAPPING SCREW BIND PT 3X16	2				
036		631693-8	LIGHT CIRCUIT	1				
038		188243-5	HOUSING SET	1				
	C10	263005-3	RUBBER PIN 6	2				
	D10		INC. 1					
039D		346317-0	HOOK	1				
039E		346317-0	HOOK	1				
039F		346449-3	HOOK	1				
039G		346449-3	HOOK	1				
039Y		346317-0	HOOK	1				
040		251314-2	+ SCREW M4X12	1				
041D		424026-2	CUSHION	1			Z25405	
041E		424026-2	CUSHION	1			Z25405	
041F		424026-2	CUSHION	1			Z25405	
041-1D		424476-1	CUSHION	1	O	Z25405		
041-1E		424476-1	CUSHION	1	O	Z25405		
041-1F		424476-1	CUSHION	1	O	Z25405		
041-1G		424476-1	CUSHION	1				
041-1Y		424476-1	CUSHION	1				
042		263036-2	RUBBER PIN 5	1				
043		268184-2	PIN 1.5	1				
044		857J89-7	DTW251 SERIAL NO. LABEL	1	S	D2833		
A01D		***DC18RC	DC18RC FAST CHARGER	1				
A01F		***DC18RC	DC18RC FAST CHARGER	1				
A01G		***DC18RC	DC18RC FAST CHARGER	1				
A01Y		***DC18RC	DC18RC FAST CHARGER	1				
A02D		196015-4	BATTERY BL1830 SET	2			A5588	
A02F		196013-8	BATTERY BL1815 SET	2				
A02G		196448-3	BATTERY BL1815N SET	2			C1574	
A02-1D		196015-4	BATTERY BL1830 SET	2	O	A5588	B2535	
A02-1G		196235-0	BATTERY BL1815N SET	2	O	C1574	C2803	
A02-1Y		196400-1	BATTERY BL1840 SET	2			A9784	
A02-2D		197600-6	BATTERY BL1830B SET	2	<	B2535	C2803	
A02-2G		199284-6	BATTERY BL1815N SET	2	<	C2803	D0158	
A02-2Y		197265-4	BATTERY BL1840B SET	2	<	A9784	C5218	
A02-3D		199283-8	BATTERY BL1830B SET	2	<	C2803	D0159	
A02-3G		199284-6	BATTERY BL1815N SET	2	<	D0158		
A02-3Y		197265-4	BATTERY BL1840B SET	2	O	C5218		
A02-4D		199283-8	BATTERY BL1830B SET	2	<	D0159		
A03D		141205-4	PLASTIC CARRYING CASE	1				
	C10	324207-7	SHAFT	1				
	C20	413098-2	PLATE	4				
	C30	417724-5	LATCH	2				
	C40	419215-2	PLASTIC CASE LID	1				
	C50	419216-0	HANDLE	1				
A03F		141205-4	PLASTIC CARRYING CASE	1				
	C10	324207-7	SHAFT	1				
	C20	413098-2	PLATE	4				
	C30	417724-5	LATCH	2				
	C40	419215-2	PLASTIC CASE LID	1				

D:DTW251RFE(H)
E:DTW251Z(N)
F:DTW251RHE(H)
G:DTW251RYE(H)
Y:DTW251RME(H)

Interchange
O : Yes
X : No
< : the new part can be substituted for the current.
> : the current part can be substituted for the new.
S : Interchangeable as a set.

