



TH	THAILAND
----	----------

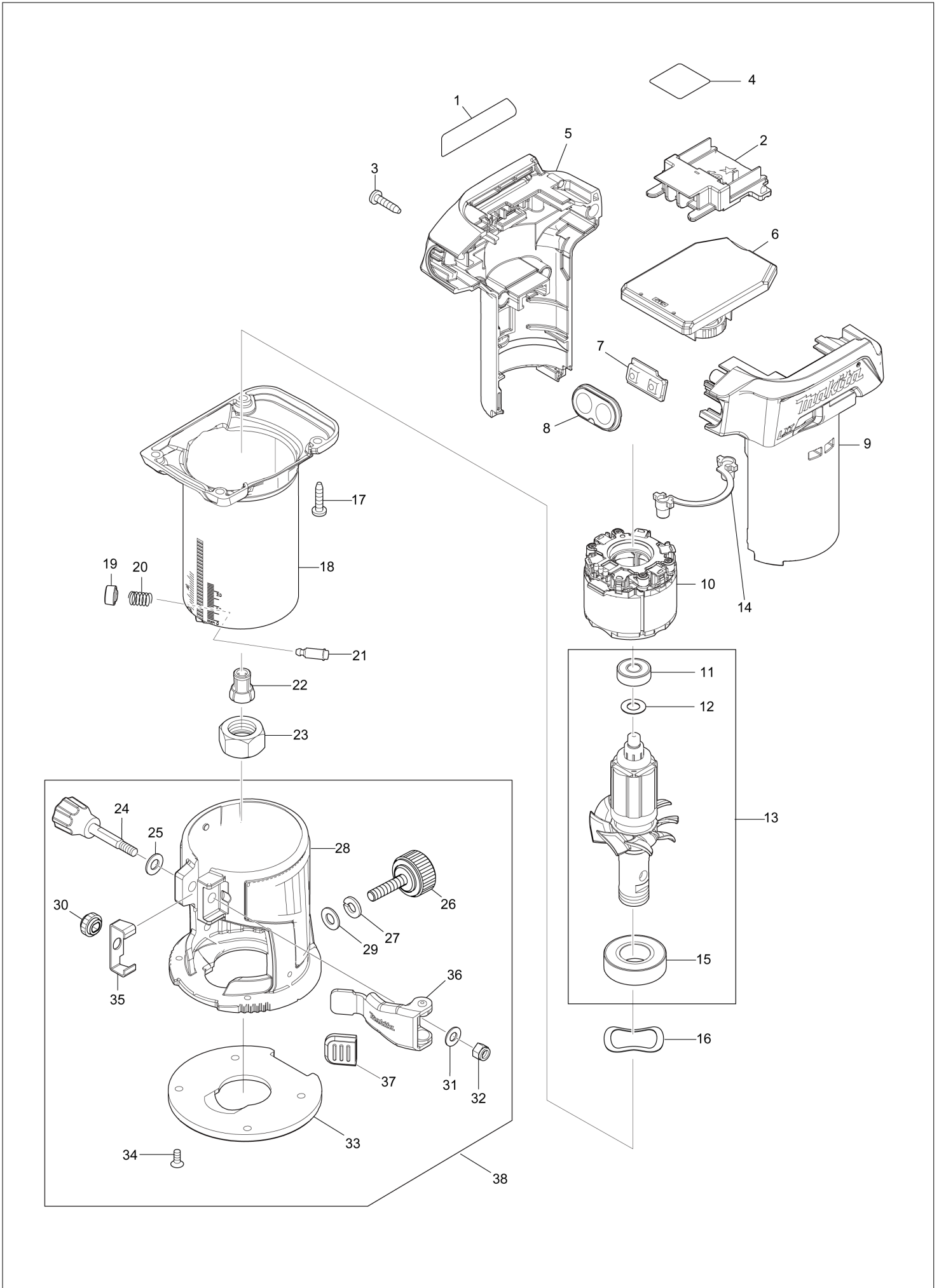
Diagram / Parts List

DRT50

CORDLESS TRIMMER



(TH) DRT50 / CORDLESS TRIMMER



TH	THAILAND
----	----------

DRT50 / CORDLESS TRIMMER

Item	Sub	Parts No.	Parts Description	Qty	I/C	E/C No.	Close No.	Remark
001		853N00-1	DRT50 NAME PLATE	1				
002		643874-2	TERMINAL	1				
003		266326-2	TAPPING SCREW 4X18	4				
004		853N19-0	DRT50 SERIAL NO. LABEL	1				
005		183G76-5	HOUSING SET	1				
	C10	263005-3	RUBBER PIN 6	2				
	D10		INC. 9					
006		620720-6	CONTROLLER A	1			DA272	
006-1		620F52-7	CONTROLLER A	1	<	DA272	DG534	
006-2		620L08-6	CONTROLLER A	1	S	DG534		
007		632K92-3	SWITCH UNIT	1				
008		144662-5	SWITCH PLATE COMPLETE	1				
009		183G76-5	HOUSING SET	1				
	C10	263005-3	RUBBER PIN 6	2				
	D10		INC. 5					
010		629280-5	STATOR	1			DG534	
010-1		629B72-4	STATOR	1	S	DG534		
011		210017-7	BALL BEARING 607DDW	1			DN925	
011-1		210307-8	BALL BEARING 607DDW	1	O	DN925		
012		253186-1	FLAT WASHER 7	1				
013		519449-8	ROTOR ASSY	1				
	D10		INC. 11,12,15					
014		620721-4	LED CIRCUIT	1				
015		210301-0	BALL BEARING 6003DDW	1				
016		253906-3	WAVE WASHER 26	1				
017		266326-2	TAPPING SCREW 4X18	4				
018		144661-7	OUTER HOUSING COMPLETE	1			D5472	
018-1		144661-7	OUTER HOUSING COMPLETE	1	O	D5472		
019		452468-0	PUSH BUTTON	1				
020		233127-3	COMPRESSION SPRING 7	1				
021		256437-1	PIN 4	1				
022		763637-1	COLLET CONE 1/4"	1				
023		763615-1	COLLET NUT	1				
024		265792-0	THUMB SCREW M5X35	1				
025		941151-9	FLAT WASHER 6	1				
026		265763-7	THUMB SCREW M6X25	1				
027		942151-2	SPRING WASHER 6	1			C3118	
027-1		253428-3	SPRING WASHER 6	1	O	C3118		
028		142403-3	TRIMMER BASE COMPLETE	1				
029		941151-9	FLAT WASHER 6	1				
030		227262-7	SPUR GEAR 16	1				
031		941101-4	FLAT WASHER 5	1				
032		252103-8	HEX. LOCK NUT M5-8	1				
033		454842-8	BASE PROTECTOR	1				
034		912112-6	COUNTERSUNK HEAD SCREW M4X10	4				
035		346392-6	CAM PLATE	1				
036		163524-8	LOCK LEVER COMPLETE	1				
037		424396-9	RUBBER CAP	1				
038		196613-4	TRIMMER BASE SET	1				
	D10		INC. 24-37					
039		620L09-4	CONTROLLER B	1	S	DG534		
040		652119-7	PAN HEAD SCREW M2X6	6	S	DG534		
A01		122965-7	STRAIGHT GUIDE ASSEMBLY	1				
	C10	252649-4	THUMB NUT M6	1				
	C20	266339-3	CAP SQUARE NECK BOLT M6X20	1				
	C30	346382-9	GUIDE PLATE	1				
A02		195559-1	DUST NOZZLE SET	1				
	C10	265774-2	THUMB SCREW M4X19	1				
A03		343577-5	TEMPLER GUIDE 10	1				
A04		763619-3	COLLET CONE 3/8"	1				
A05		781011-1	WRENCH 22	1				
A06		781039-9	WRENCH 13	1				
A07A		821552-6	CONNECTOR PLASTIC CASE (TYPE4)	1				
	C10	453974-8	LATCH	4				
A07B		821552-6	CONNECTOR PLASTIC CASE (TYPE4)	1				

A:DRT50ZJX3(N)
 B:DRT50RTJX3(H)
 C:DRT50Z(N)

Interchange
 O : Yes
 X : No
 < : the new part can be substituted for the current.
 > : the current part can be substituted for the new.
 S : Interchangeable as a set.

TH	THAILAND
-----------	-----------------

DRT50 / CORDLESS TRIMMER

Item	Sub	Parts No.	Parts Description	Qty	I/C	E/C No.	Close No.	Remark
	C10	453974-8	LATCH	4				
A08A		813K34-8	DRT50ZJX3 INDICATION LABEL	1				
A08B		813K60-7	DRT50RTJX3 INDICATION LABEL	1				
A09A		813K35-6	DRT50ZJX3 PLASTIC CASE LABEL	2				
A09B		813K61-5	DRT50RTJX3 PLASTIC CASE LABEL	2				
A10A		837247-1	TRAY	1				
A10B		837247-1	TRAY	1				
A11A		122703-7	TRIMMER GUIDE ASS'Y	1				
	C10	251471-6	- FLAT HEAD SCREW M5	1				
	C20	265135-6	+ COUNTERSUNK HEAD SCREW M4X1	1				
	C30	265763-7	THUMB SCREW M6X25	1				
	C40	265764-5	THUMB SCREW M6	1				
	C50	317788-8	GUIDE HOLDER	1				
	C60	324378-0	ROLLER 11	1				
	C70	341136-9	HOOK	1				
	C80	941151-9	FLAT WASHER 6	1				
A11B		122703-7	TRIMMER GUIDE ASS'Y	1				
	C10	251471-6	- FLAT HEAD SCREW M5	1				
	C20	265135-6	+ COUNTERSUNK HEAD SCREW M4X1	1				
	C30	265763-7	THUMB SCREW M6X25	1				
	C40	265764-5	THUMB SCREW M6	1				
	C50	317788-8	GUIDE HOLDER	1				
	C60	324378-0	ROLLER 11	1				
	C70	341136-9	HOOK	1				
	C80	941151-9	FLAT WASHER 6	1				
A12A		196094-2	PLUNGE BASE SET	1				
	D10		COMBO-PARTS					
A12B		196094-2	PLUNGE BASE SET	1				
	D10		COMBO-PARTS					
A13A		196092-6	TILT BASE SET	1			C1109	
	D10		COMBO-PARTS				C1109	
A13B		196092-6	TILT BASE SET	1			C1109	
	D10		COMBO-PARTS				C1109	
A13-1A		198987-9	TILT BASE SET	1	<	C1109		
A13-1B		198987-9	TILT BASE SET	1	<	C1109		
A14A		153489-2	GRIP 36 COMPLETE	1				
A14B		153489-2	GRIP 36 COMPLETE	1				
A15A		195564-8	GUIDE HOLDER SET	1				
	C10	252649-4	THUMB NUT M6	1				
	C20	256850-3	ROD 8	2				
	C30	266339-3	CAP SQUARE NECK BOLT M6X20	1				
A15B		195564-8	GUIDE HOLDER SET	1				
	C10	252649-4	THUMB NUT M6	1				
	C20	256850-3	ROD 8	2				
	C30	266339-3	CAP SQUARE NECK BOLT M6X20	1				
A16A		194733-8	DUST NOZZLE SET	1				
	C10	213022-3	O RING 3	2				
	C20	265774-2	THUMB SCREW M4X19	1				
A16B		194733-8	DUST NOZZLE SET	1				
	C10	213022-3	O RING 3	2				
	C20	265774-2	THUMB SCREW M4X19	1				
A17A		344364-5	TEMPLET GUIDE 16	1				
A17B		344364-5	TEMPLET GUIDE 16	1				
A18A		196093-4	OFFSET BASE SET	1				
	D10		COMBO-PARTS					
A18B		196093-4	OFFSET BASE SET	1				
	D10		COMBO-PARTS					
A20B		450128-8	BATTERY COVER	2				
A21B		***DC18RC	DC18RC FAST CHARGER	1				
A22B		197280-8	BATTERY BL1850B SET	2			C2803	
A22-1B		199282-0	BATTERY BL1850B SET	2	<	C2803	D0161	
A22-2B		199282-0	BATTERY BL1850B SET	2	<	D0161		
F25		194367-7	GUIDE RAIL 3000 SET	1				
F26		194368-5	GUIDE RAIL 1400 SET	1				
F28		194416-0	SHEET 10000 SET	1				

A:DRT50ZJX3(N)
 B:DRT50RTJX3(H)
 C:DRT50Z(N)

Interchange
 O : Yes
 X : No
 < : the new part can be substituted for the current.
 > : the current part can be substituted for the new.
 S : Interchangeable as a set.

