



TH THAILAND

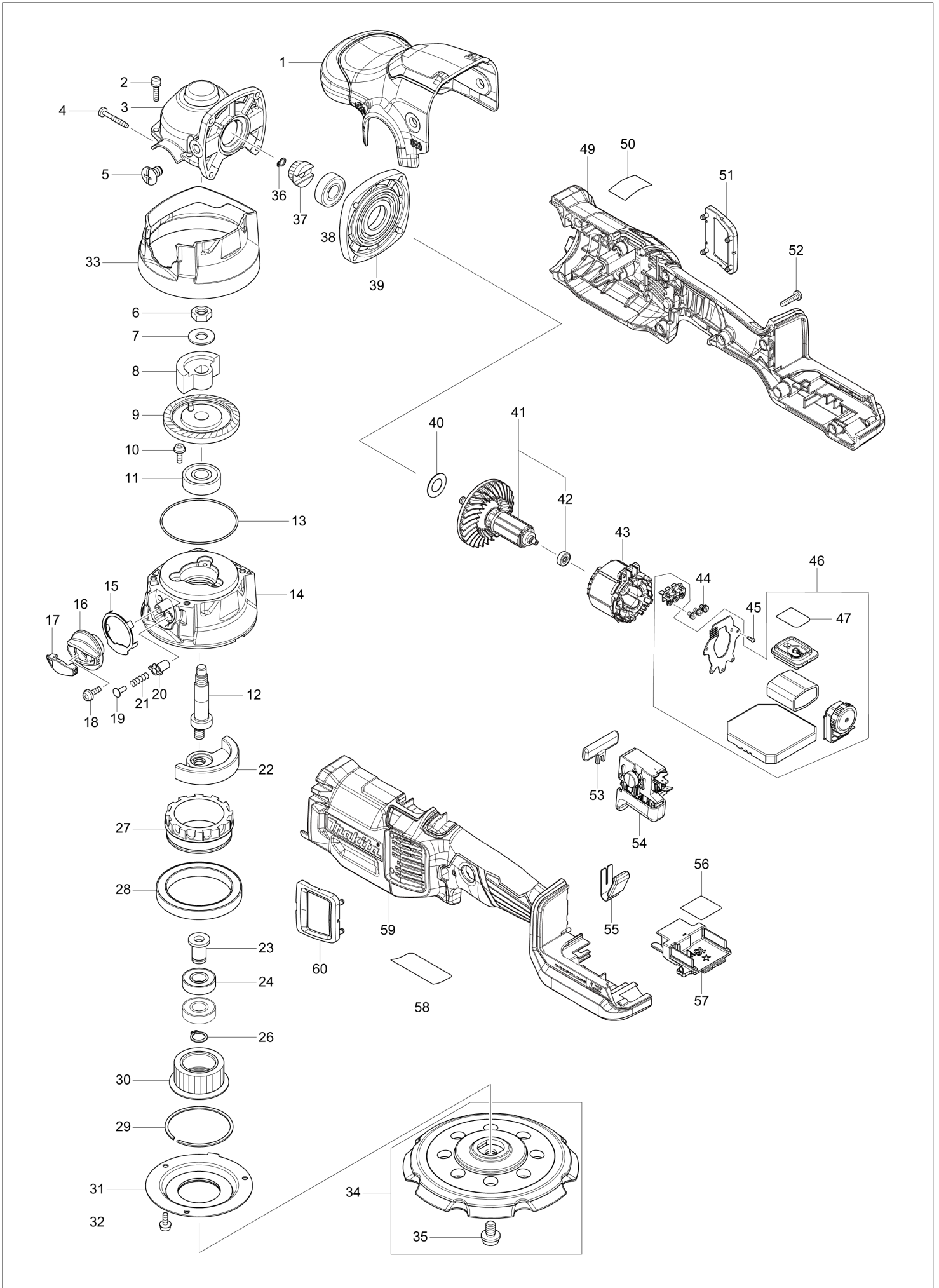
Diagram / Parts List

DPO600

150MM DC RANDOM ORBIT POLISHER



(TH) DPO600 / 150MM DC RANDOM ORBIT POLISER



TH	THAILAND
----	----------

DPO600 / 150MM DC RANDOM ORBIT POLISHER

Item	Sub	Parts No.	Parts Description	Qty	I/C	E/C No.	Close No.	Remark
001		456805-0	HEAD COVER	1				
002		911126-2	PAN HEAD SCREW M4X16	4				
003		143783-0	GEAR HOUSING COMPLETE	1				
004		266257-5	TAPPING SCREW 4X28	4				
005		265083-9	+ FLAT HEAD SCREW M8X11	2				
006		931503-2	HEX. NUT M10	1				
007		253024-7	FLAT WASHER 10	1				
008		326735-8	UPPER BALANCE WEIGHT	1				
009		143782-2	SPIRAL BEVEL GEAR 37 COMPLETE	1				
010		911119-9	PAN HEAD SCREW M4X12	3				
011		211145-1	BALL BEARING 6201ZZ	1				
012		324069-3	SPINDLE	1				
013		213724-1	O RING 62	1				
014		143784-8	SKIRT COMPLETE	1				
015		153427-4	DUST SEAL WASHER COMPLETE	1				
016		143785-6	KNOB COMPLETE	1				
017		456809-2	CAP	1				
018		911119-9	PAN HEAD SCREW M4X12	1				
019		417382-7	SPRING HOLDER	1				
020		345209-0	HOLDER	1				
021		231230-4	COMPRESSION SPRING 4	1				
022		326736-6	LOWER BALANCE WEIGHT	1				
023		324070-8	SLEEVE	1				
024		211131-2	BALL BEARING 6001DDW	2				
026		961052-5	RETAINING RING (EXT) S-12	1				
027		221453-2	INTERNAL SPUR GEAR 29	1				
028		210146-6	BALL BEARING 6811LLB	1				
029		257933-2	STOP RING (EXT) WR-55	1				
030		143790-3	SPUR GEAR 26 COMPLETE	1				
031		143938-7	BEARING RETAINER 80 COMPLETE	1				
032		911119-9	PAN HEAD SCREW M4X12	3				
033		456806-8	BUMPER	1				
034		197929-0	PAD 150 SET	1			DM344	
	D10		INC. 35				DM344	
034-1		197928-2	PAD 150 SET(EU)	1	O	DM344		
	D10		INC. 35			DM344		
035		266270-3	HEX.SOCKET HEAD BOLT M8X14	1				
036		961002-0	RETAINING RING S-6	1				
037		221450-8	SPIRAL BEVEL GEAR 10	1				
038		211142-7	BALL BEARING 6001LLB	1				
039		317359-1	GEAR HOUSING COVER	1				
040		253084-9	FLAT WASHER 12	1				
041		519546-0	ROTOR ASSY	1				
	D10		INC. 42					
042		210036-3	BALL BEARING 604ZZ	1				
043		629391-6	STATOR	1				
044		652069-6	FLAT HEAD SCREW M3X6	3				
045		266490-9	TAPPING SCREW PT 2X6	3				
046		620A17-9	CONTROLLER COMPLETE	1				
	D10		INC. 47					
047		818M11-7	SWITCH LABEL	1				
049		183K93-9	MOTOR HOUSING SET	1				
	C10	263005-3	RUBBER PIN 6	2				
	D10		INC. 59					
050		818M10-9	INDICATION LABEL	1				
051		422380-8	DUST COVER	1				
052		265995-6	TAPPING SCREW 4X18	10				
053		458972-7	LOCK OFF BUTTON	1				
054		651381-1	SWITCH C3JW-4B-2L64	1				
055		232494-3	LEAF SPRING	1				
056		855C07-7	DPO600 SERIAL NO. LABEL	1				
057		643874-2	TERMINAL	1				
058		855C04-3	DPO600 NAME PLATE	1				
059		183K93-9	MOTOR HOUSING SET	1				
	C10	263005-3	RUBBER PIN 6	2				

A:DPO600Z(N)
B:DPO600RTE(H)

Interchange
O : Yes
X : No
< : the new part can be substituted for the current.
> : the current part can be substituted for the new.
S : Interchangeable as a set.

