



TH	THAILAND
----	----------

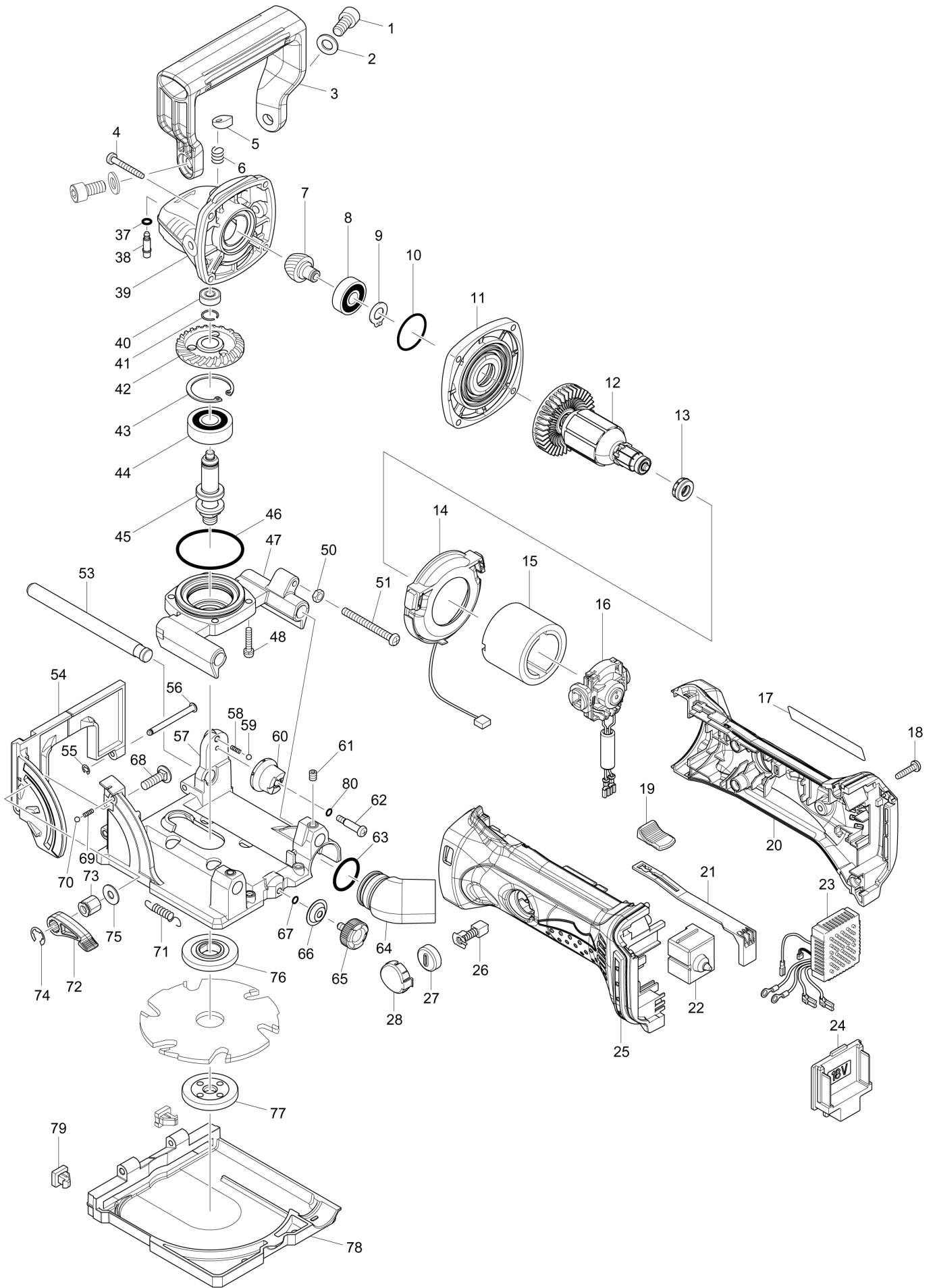
# Diagram / Parts List

**DPJ180**

**CORDLESS PLATE JOINER**



# (TH) DPJ180 / CORDLESS PLATE JOINER



<b>TH</b>	<b>THAILAND</b>
-----------	-----------------

## DPJ180 / CORDLESS PLATE JOINER

Item	Sub	Parts No.	Parts Description	Qty	I/C	E/C No.	Close No.	Remark
001		922422-3	HEX. SOCKET HEAD BOLT M8X16	2				
002		941202-8	FLAT WASHER 8	2				
003		453219-4	GRIP	1				
004		266361-0	TAPPING SCREW 4X30	4				
005		417771-6	PIN CAP	1				
006		233072-2	COMPRESSION SPRING 8	1				
007		227597-6	SPIRAL BEVEL GEAR 11	1				
008		210042-8	BALL BEARING 629LLB	1				
009		961005-4	RETAINING RING S-9	1				
010		213445-5	O-RING 26	1			DG769	
010-1		213407-3	O RING 26	1	O	DG769		
011		317821-6	GEAR HOUSING COVER	1				
012		619295-0	ARMATURE	1				
	D10		INC. 7-11					
013		421977-0	RUBBER RING 13	1				
014		631714-6	LED CIRCUIT	1				
015-1		638627-2	YOKE UNIT	1				
016		638448-2	ENDBELL COMPLETE	1				
017		815T35-6	DPJ180 NAME PLATE	1				
018		266326-2	TAPPING SCREW 4X18	5				
019		419566-3	SWITCH KNOB	1				
020-1		187839-9	HOUSING SET	1				
	C10	263005-3	RUBBER PIN 6	2				
	D10		INC. 25					
021		419519-2	SWITCH LEVER	1				
022		650579-7	SWITCH 1246.3223	1				
023-1		620243-4	CONTROLLER	1				
024-1		644808-8	TERMINAL	1				
025-1		187839-9	HOUSING SET	1				
	C10	263005-3	RUBBER PIN 6	2				
	D10		INC. 20					
026		195018-5	CARBON BRUSH SET CB-430	1				
027		643954-4	BRUSH HOLDER CAP	2				
028		419518-4	HOLDER CAP COVER	2				
037		213960-9	O RING 5	1				
038		256496-5	SHOULDER PIN 4	1				
039		141400-6	GEAR HOUGING COMPLETE	1				
	C10	263002-9	RUBBER PIN 4	1				
040		210033-9	BALL BEARING 696ZZ	1				
041		233950-6	RING SPRING 11	1				
042		227598-4	SPIRAL BEVEL GEAR 36	1				
043		962151-6	RETAINING RING R-32	1				
044		211129-9	BALL BEARING 6201DDW	1				
045		326120-5	SPINDLE	1				
046		213622-9	O RING 45	1				
047		318812-0	BEARING BOX	1				
048		911136-9	PAN HEAD SCREW M4X20	4				
050		931203-4	HEX. NUT M5	1				
051		266741-0	PAN HEAD SCREW M5X50	1				
053		326145-9	ROD 10	2				
054		141247-8	FENCE COMPLETE	1				
055		961017-7	STOP RING E-3	2				
056		256689-4	PIN 4	2				
057		318813-8	BASE	1				
058		231282-5	COMPRESSION SPRING 2.4	1				
059		216001-0	STEEL BALL 3.5	1				
060		318814-6	STOPPER	1				
061		266264-8	H.S.SET SCREW(FLAT POINT)M5X6	2				
062		266738-9	+PAN HEAD SCREW M4	1				
063		213008-7	O RING 22.4	1				
064		415252-4	DUST NOZZLE	1				
065		265785-7	THUMB SCREW M5X10	1				
066		232131-9	LEAF SPRING	1				
067		213023-1	O RING 4	1				
068		266737-1	FLAT HEAD SQ. NECK BOLT M6X20	1				

B:DPJ180RFE(H)

Interchange  
 O : Yes  
 X : No  
 < : the new part can be substituted for the current.  
 > : the current part can be substituted for the new.  
 S : Interchangeable as a set.

