



| | |
|----|----------|
| TH | THAILAND |
|----|----------|

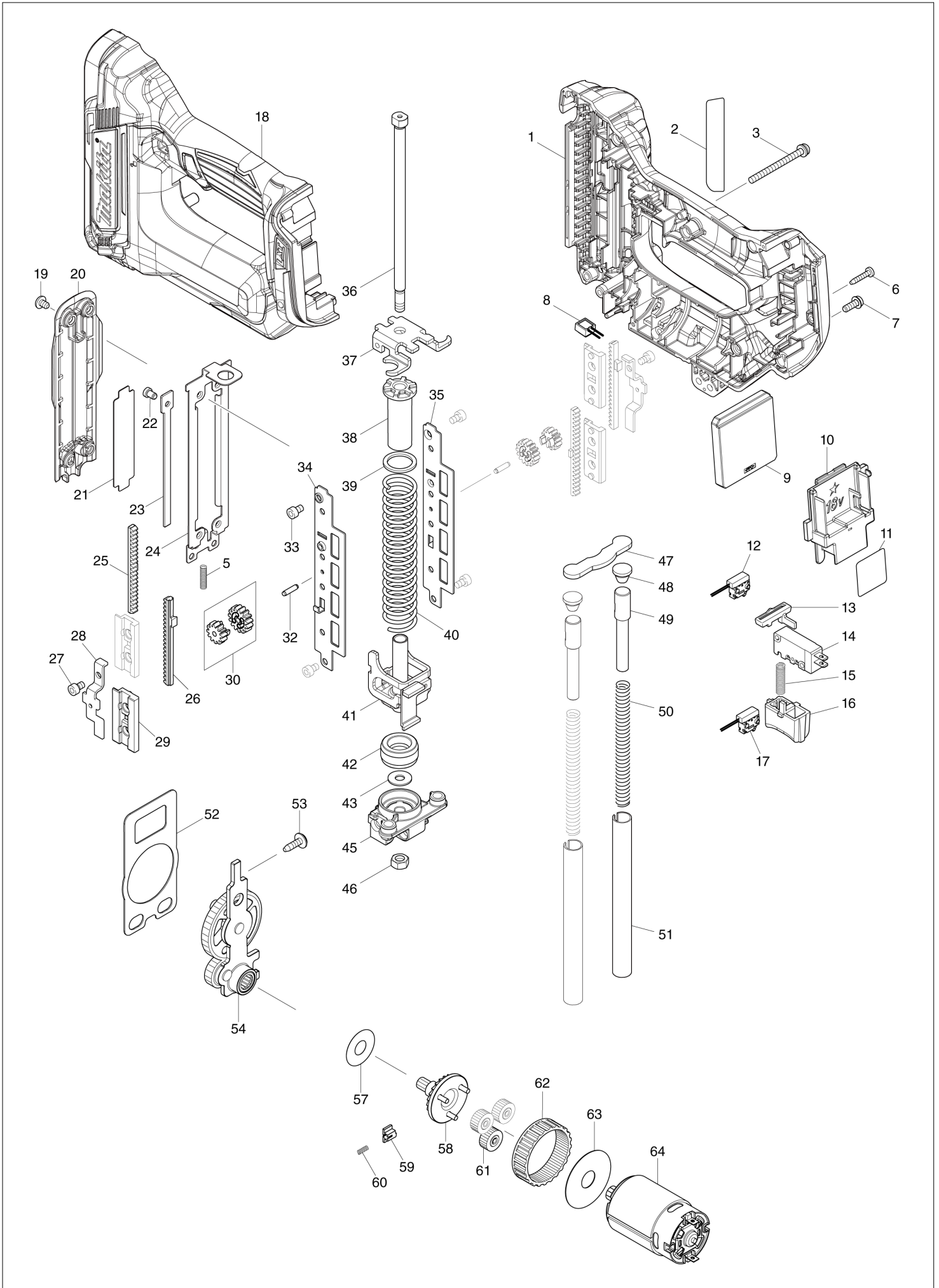
Diagram / Parts List

DST421

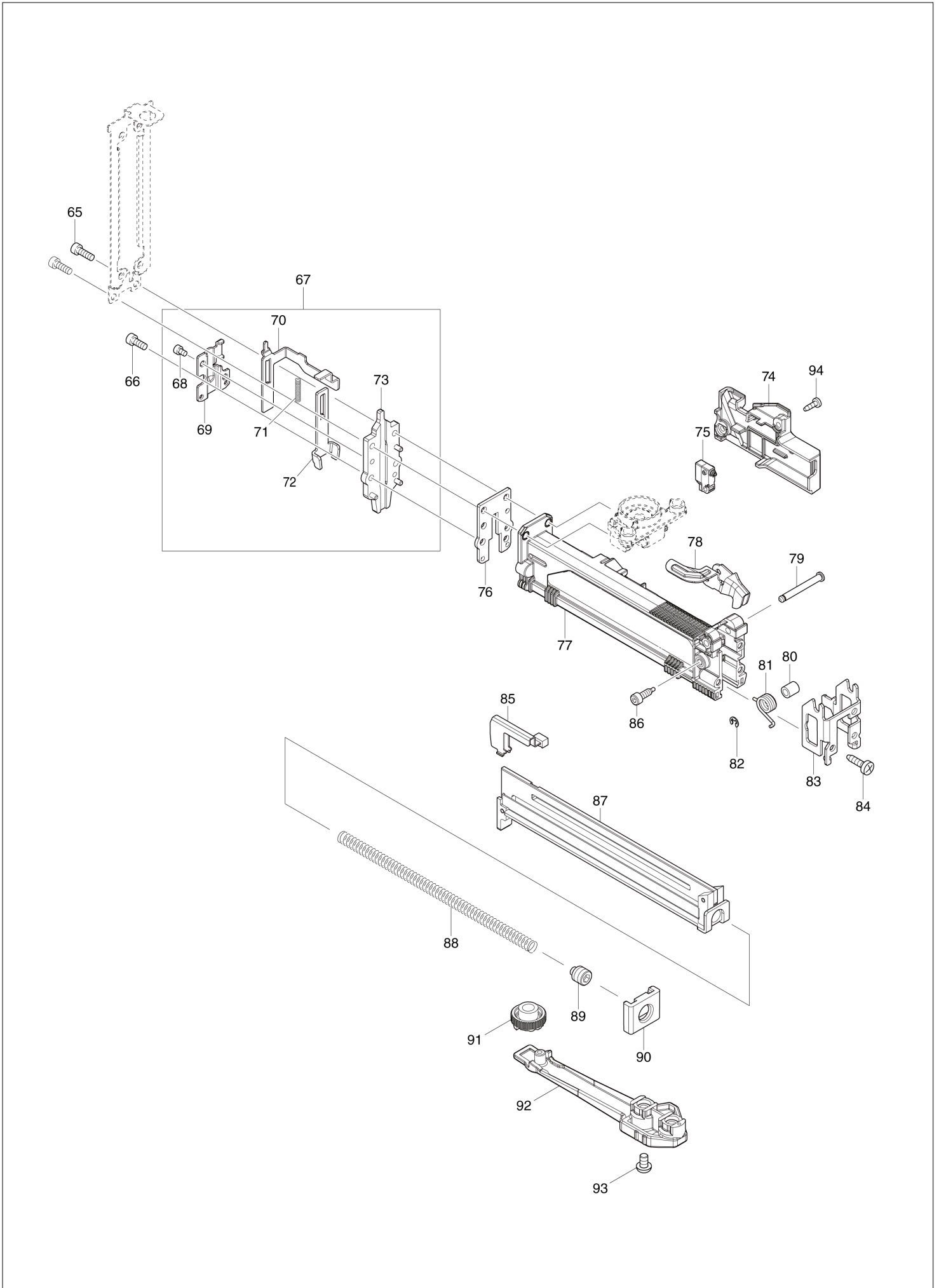
CORDLESS STAPLER



(TH) DST421 / CORDLESS STAPLER



(TH) DST421 / CORDLESS STAPLER



| | |
|-----------|-----------------|
| TH | THAILAND |
|-----------|-----------------|

DST421 / CORDLESS STAPLER

| Item | Sub | Parts No. | Parts Description | Qty | I/C | E/C No. | Close No. | Remark |
|-------|-----|-----------|------------------------------|-----|-----|---------|-----------|--------|
| 001 | | 183N96-1 | HOUSING SET | 1 | | | | |
| | C10 | 263005-3 | RUBBER PIN 6 | 2 | | | | |
| | C20 | 252126-6 | HEX. LOCK NUT M4-7 | 2 | | | | |
| | C30 | 931102-0 | HEX. NUT M4 | 1 | | | | |
| | D10 | | INC. 18 | | | | | |
| 002 | | 856V35-9 | DST421 NAME PLATE | 1 | | | | |
| 003 | | 911173-3 | PAN HEAD SCREW M4X45 | 1 | | | | |
| 005 | | 232608-4 | COMPRESSION SPRING 4 | 1 | | | | |
| 006 | | 266130-9 | TAPPING SCREW BIND PT 3X16 | 8 | | | | |
| 007 | | 911113-1 | PAN HEAD SCREW M4X10 WITH WR | 2 | | | | |
| 008 | | 620507-6 | LED CIRCUIT | 1 | | | | |
| 009 | | 632P85-0 | CONTROLLER UNIT | 1 | | | | |
| 010 | | 643874-2 | TERMINAL | 1 | | | | |
| 011 | | 856V38-3 | DST421 SERIAL NO. LABEL | 1 | | | | |
| 012 | | 632G60-2 | SWITCH UNIT | 1 | | | | |
| 013 | | 456799-9 | TRIGGER LOCK | 1 | | | | |
| 014 | | 651910-0 | SWITCH D2VW-01-3HS | 1 | | | | |
| 015 | | 232370-1 | COMPRESSION SPRING 5 | 1 | | | | |
| 016 | | 457386-7 | TRIGGER | 1 | | | D5047 | |
| 016-1 | | 412772-9 | TRIGGER | 1 | < | D5047 | | |
| 017 | | 632K06-2 | SWITCH UNIT | 1 | | | | |
| 018 | | 183N96-1 | HOUSING SET | 1 | | | | |
| | C10 | 263005-3 | RUBBER PIN 6 | 2 | | | | |
| | C20 | 252126-6 | HEX. LOCK NUT M4-7 | 2 | | | | |
| | C30 | 931102-0 | HEX. NUT M4 | 1 | | | | |
| | D10 | | INC. 1 | | | | | |
| 019 | | 915101-0 | BINDING HEAD SCREW M4X6 | 4 | | | | |
| 020 | | 412495-9 | FRONT COVER | 1 | | | | |
| 021 | | 347528-0 | UPPER PLATE | 1 | | | | |
| 022 | | 256882-0 | FLAT FILLISTER HD. PIN 4 | 1 | | | | |
| 023 | | 347684-6 | DRIVER | 1 | | | | |
| 024 | | 347683-8 | RAIL | 1 | | | | |
| 025 | | 310924-5 | COUNTER WEIGHT A | 2 | | | DB646 | |
| 025-1 | | 313421-0 | COUNTER WEIGHT A | 2 | < | DB646 | | |
| 026 | | 310925-3 | COUNTER WEIGHT B | 2 | | | | |
| 027 | | 251566-5 | H.S.H BOLT M4X6 WITH W | 2 | | | | |
| 028 | | 347146-4 | PINION GUIDE | 2 | | | | |
| 029 | | 457390-6 | COUNTER WEIGHT HOLDER | 4 | | | DF034 | |
| 029-1 | | 413330-4 | COUNTER WEIGHT HOLDER | 4 | O | DF034 | | |
| 030 | | 136104-3 | SPUR GEAR ASSEMBLY | 2 | | | | |
| 032 | | 326902-5 | PINION SHAFT | 2 | | | | |
| 033 | | 266199-3 | HEX.SOCKET HEAD BOLT M4X6 | 4 | | | | |
| 034 | | 347145-6 | GUIDE RAIL R | 1 | | | | |
| 035 | | 347144-8 | GUIDE RAIL L | 1 | | | | |
| 036 | | 326903-3 | GUIDE BOLT | 1 | | | | |
| 037 | | 347728-2 | BOTTOM PLATE | 1 | | | | |
| 038 | | 459311-4 | SPRING HOLDER | 1 | | | | |
| 039 | | 347522-2 | SPRING BASE | 1 | | | | |
| 040 | | 232511-9 | COMPRESSION SPRING 17 | 1 | | | | |
| 041 | | 347735-5 | HAMMER | 1 | | | | |
| 042 | | 422457-9 | CUSHION | 1 | | | | |
| 043 | | 253804-1 | FLAT WASHER 6 | 1 | | | | |
| 045 | | 319984-4 | HOLDER | 1 | | | | |
| 046 | | 252273-3 | HEX. NUT M6 | 1 | | | | |
| 047 | | 347729-0 | COUNTER STOPPER | 1 | | | | |
| 048 | | 422592-3 | COUNTER CUSHION | 2 | | | | |
| 049 | | 327591-9 | WEIGHT | 2 | | | | |
| 050 | | 232630-1 | COMPRESSION SPRING 7 | 2 | | | | |
| 051 | | 327592-7 | GUIDE PIPE | 2 | | | | |
| 052 | | 347525-6 | GEAR PLATE | 1 | | | | |
| 053 | | 266901-4 | TAPPING SCREW 4X14 | 1 | | | | |
| 054 | | 140K45-3 | SPUR GEAR 61 COMPLETE | 1 | | | D5317 | |
| 054-1 | | 140Y96-0 | SPUR GEAR 61 COMPLETE | 1 | < | D5317 | | |
| 057 | | 253353-8 | THIN WASHER 10 | 1 | | | | |
| 058 | | 140K48-7 | SPUR GEAR 8 COMPLETE | 1 | | | | |

A:DST421ZK(N)

Interchange
 O : Yes
 X : No
 < : the new part can be substituted for the current.
 > : the current part can be substituted for the new.
 S : Interchangeable as a set.

| | |
|----|----------|
| TH | THAILAND |
|----|----------|

DST421 / CORDLESS STAPLER

| Item | Sub | Parts No. | Parts Description | Qty | I/C | E/C No. | Close No. | Remark |
|-------|-----|-----------|--------------------------------|-----|-----|---------|-----------|--------|
| 059 | | 310945-7 | LOCK BLOCK | 1 | | | | |
| 060 | | 232513-5 | COMPRESSION SPRING 3 | 1 | | | | |
| 061 | | 221961-3 | SPUR GEAR 27 | 3 | | | | |
| 062 | | 227166-3 | INTERNAL GEAR 69 | 1 | | | | |
| 063 | | 267053-4 | FLAT WASHER 12 | 1 | | | | |
| 064 | | 629408-5 | DC MOTOR | 1 | | | | |
| 065 | | 922127-5 | HEX. SOCKET HEAD BOLT M4X16 | 2 | | | | |
| 066 | | 922112-8 | HEX. SOCKET HEAD BOLT M4X10 | 2 | | | | |
| 067 | | 127632-9 | DRIVER GUIDE ASSEMBLY | 1 | | | Y08189 | |
| | D10 | | INC. 68-73 | | | | Y08189 | |
| 068 | | 922102-1 | HEX. SOCKET HEAD BOLT M4X6 | 2 | | | | |
| 069 | | 347685-4 | CONTACT ARM GUIDE | 1 | | | | |
| 070 | | 347682-0 | CONTACT ARM | 1 | | | | |
| 071 | | 232607-6 | COMPRESSION SPRING 3 | 1 | | | | |
| 072 | | 347686-2 | CONTACT TOP | 1 | | | | |
| 073 | | 140S54-0 | DRIVER GUIDE COMPLETE | 1 | | | | |
| 074 | | 412496-7 | CONTACT ARM COVER | 1 | | | DF935 | |
| 074-1 | | 413K98-8 | CONTACT ARM COVER | 1 | O | DF935 | | |
| 075 | | 632P86-8 | SWITCH UNIT | 1 | | | | |
| 076 | | 347678-1 | UNDER DRIVER GUIDE | 1 | | | D6361 | |
| 076-1 | | 347778-7 | UNDER DRIVER GUIDE | 1 | O | D6361 | DL399 | |
| 076-2 | | 347B67-2 | UNDER DRIVER GUIDE | 1 | O | DL399 | | |
| 077 | | 412494-1 | MAIN MAGAZINE | 1 | | | DH339 | |
| 077-1 | | 413H49-3 | MAIN MAGAZINE | 1 | < | DH339 | | |
| 078 | | 347679-9 | LOCK LEVER | 1 | | | | |
| 079 | | 256956-7 | PIN 4 | 1 | | | | |
| 080 | | 257502-9 | SLEEVE 5 | 1 | | | | |
| 081 | | 232606-8 | TORSION SPRING 8 | 1 | | | | |
| 082 | | 961017-7 | STOP RING E-3 | 1 | | | | |
| 083 | | 347681-2 | SUPPORTER | 1 | | | | |
| 084 | | 266192-7 | TAPPING SCREW 4X14 | 2 | | | | |
| 085 | | 140T65-1 | PUSHER COMPLETE | 1 | | | | |
| 086 | | 265A52-6 | HEX.SOCKET HEAD BOLT M4X14 | 1 | | | | |
| 087 | | 162845-5 | SUB MAGAZINE | 1 | | | | |
| 088 | | 231396-0 | COMPRESSION SPRING 6 | 1 | | | | |
| 089 | | 266197-7 | H.S.SET SCREW(DOG POINT)M10X12 | 1 | | | | |
| 090 | | 421637-4 | MAGAZINE END | 1 | | | | |
| 091 | | 412771-1 | ADJUSTER | 1 | | | | |
| 092 | | 454627-2 | DEPTH GUIDE | 1 | | | | |
| 093 | | 266868-6 | H.S.BUTTON HEAD SCREW M5X8 | 2 | | | | |
| 094 | | 266007-8 | TAPPING SCREW BIND PT 3X10 | 2 | | | | |
| A01 | | 195246-2 | SAFETY GOGGLE | 1 | | | DJ640 | |
| A02 | | 251314-2 | + SCREW M4X12 | 1 | | | | |
| A03 | | 346317-0 | HOOK | 1 | | | | |
| A04 | | 422591-5 | NOSE ADAPTER | 1 | | | DH148 | |
| A04-1 | | 422959-5 | NOSE ADAPTER | 1 | O | DH148 | | |
| A06 | | 140S88-3 | PLASTIC CASE COMPLETE | 1 | | | | |
| | C10 | 162302-3 | LATCH | 2 | | | | |
| | C20 | 835H54-4 | INNER TRAY | 1 | | | | |
| A07 | | 8011T6-5 | DST421ZK PLASTIC CASE LABEL | 2 | | | | |
| | | | | | | | | |
| | | | | | | | | |
| | | | | | | | | |
| | | | | | | | | |
| | | | | | | | | |
| | | | | | | | | |
| | | | | | | | | |
| | | | | | | | | |
| | | | | | | | | |
| | | | | | | | | |
| | | | | | | | | |
| | | | | | | | | |
| | | | | | | | | |
| | | | | | | | | |
| | | | | | | | | |
| | | | | | | | | |
| | | | | | | | | |
| | | | | | | | | |
| | | | | | | | | |

A:DST421ZK(N)

Interchange
O : Yes
X : No
< : the new part can be substituted for the current.
> : the current part can be substituted for the new.
S : Interchangeable as a set.