



TH	THAILAND
----	----------

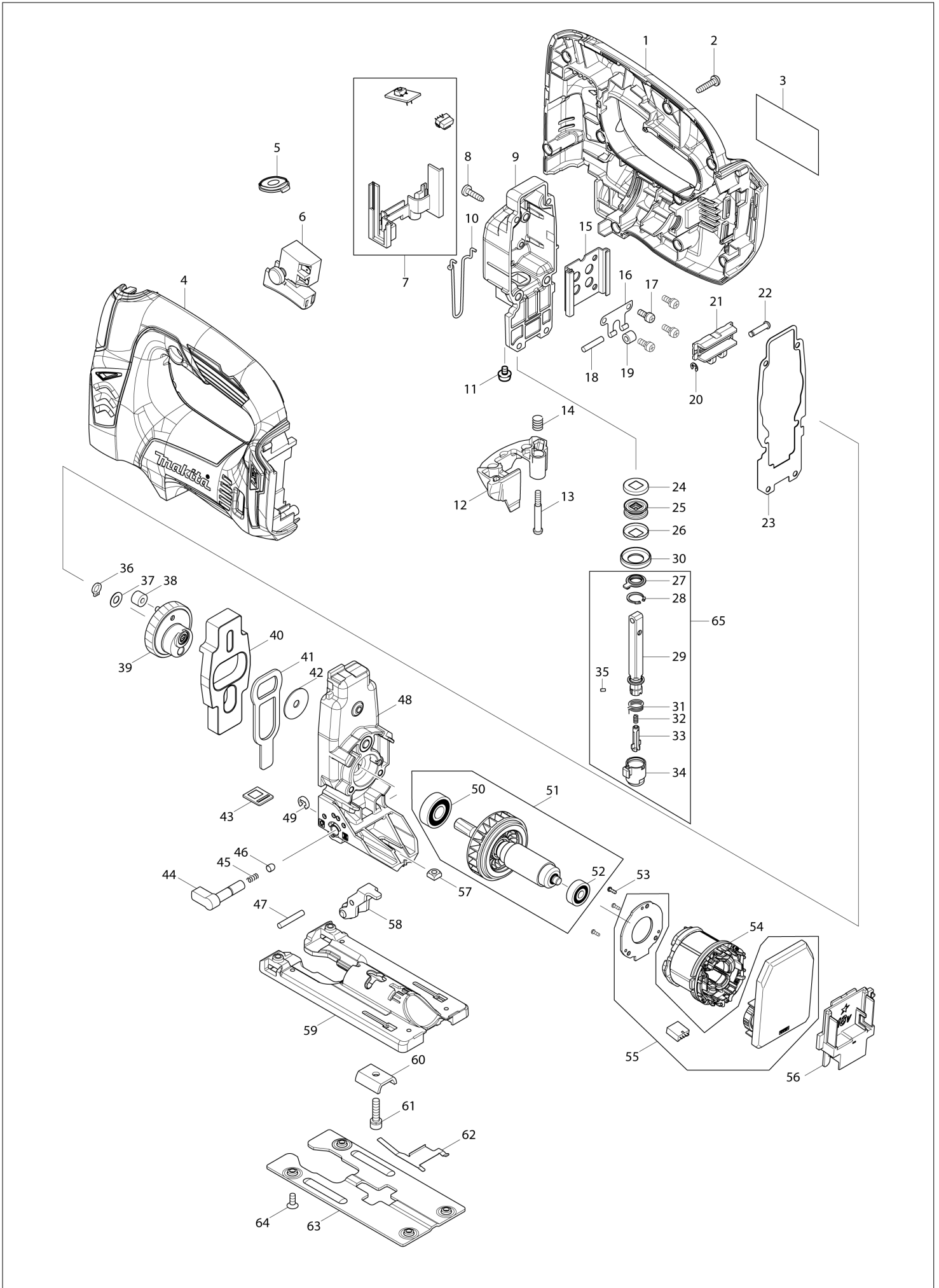
Diagram / Parts List

DJV182

CORDLESS JIG SAW



(TH) DJV182 / CORDLESS JIG SAW



TH	THAILAND
----	----------

DJV182 / CORDLESS JIG SAW

Item	Sub	Parts No.	Parts Description	Qty	I/C	E/C No.	Close No.	Remark
001		187706-8	HOUSING SET	1				
	C10	263005-3	RUBBER PIN 6	2				
	D10		INC. 4					
002		265995-6	TAPPING SCREW 4X18	9			DA002	
002-1		265652-6	TAPPING SCREW 4X18	9	O	DA002		
003		814V65-6	DJV182 NAME PLATE	1				
004		187706-8	HOUSING SET	1				
	C10	263005-3	RUBBER PIN 6	2				
	D10		INC. 1					
005		142303-7	SWITCH PLATE COMPLETE	1				
006		650251-1	SWITCH SGEL106C-4	1				
007		632B56-3	SWITCH UNIT	1				
008		266034-5	TAPPING SCREW CT 4X16	4				
009		142112-4	GEAR HOUSING COVER COMPLETE	1				
010		326302-9	SAFETY WIRE	1				
011		911104-2	PAN HEAD SCREW M4X6	1				
012		454483-0	TOOL OPENER	1				
013		265026-1	+ PAN HEAD SCREW M4	1				
014		231659-4	TORSION SPRING 6	1				
015		346687-7	LINEAR GUIDE	1				
016		232207-2	LEAF SPRING	1				
017		911111-5	PAN HEAD SCREW M4X10 WITH W	4				
018		256117-9	PIN 4	1				
019		214031-5	PLANE BEARING 4	1				
020		961017-7	STOP RING E-3	1				
021		310548-7	SLIDER	1			B9594	
021-1		310837-0	SLIDER	1	<	B9594		
022		268090-1	PIN 4	1				
023		442195-7	GASKET	1				
024		267854-0	CAP WASHER 8	1				
025		421815-6	DUST SEAL 8	1				
026		267854-0	CAP WASHER 8	1				
027		424569-4	DUST COVER	1				
028		962063-3	RETAINING RING R-13	1				
029		165724-6	ROD	1				
030		257347-5	RING 21	1				
031		233591-8	TORSION SPRING 10	1				
032		233314-4	COMPRESSION SPRING 4	1				
033		310485-5	LOCK PIN	1				
034		310547-9	BLADE HOLDER	1				
035		256528-8	PIN 2	1				
036		961002-0	RETAINING RING S-6	1				
037		253715-0	FLAT WASHER 6	1				
038		212014-9	NEEDLE BEARING 407	1			A3527	
038-1		212092-9	NEEDLE BEARING 407	1	O	A3527		
039		142109-3	GEAR COMPLETE	1				
040		313260-8	BALANCE PLATE	1				
041		346688-5	PUSH PLATE	1				
042		253196-8	FLAT WASHER 6	1				
043		454484-8	SEAL PLATE	1				
044		272244-4	LEVER 17	1			A2266	
044-1		272280-0	LEVER 17	1	<	A2266		
045		233139-6	COMPRESSION SPRING 3	1				
046		286032-3	CAP 5	1				
047		268063-4	PIN 4	1				
048		142111-6	GEAR HOUSING COMPLETE	1				
049		961018-5	STOP RING E-5	1				
050		210059-1	BALL BEARING 6000DDW	1			DK779	
051		519329-8	ROTOR ASSY	1			DK779	
	D10		INC. 50,52				DK779	
051-1		519821-4	ROTOR ASSY	1	S	DK779		
052		210022-4	BALL BEARING 626DDW	1			DK779	
053		266490-9	TAPPING SCREW PT 2X6	3				
054		629998-8	STATOR	1				
055		620248-4	CONTROLLER	1			D2144	

A:DJV182Z(N)
B:DJV182RFE(H)

Interchange
O : Yes
X : No
< : the new part can be substituted for the current.
> : the current part can be substituted for the new.
S : Interchangeable as a set.

