



TH	THAILAND
----	----------

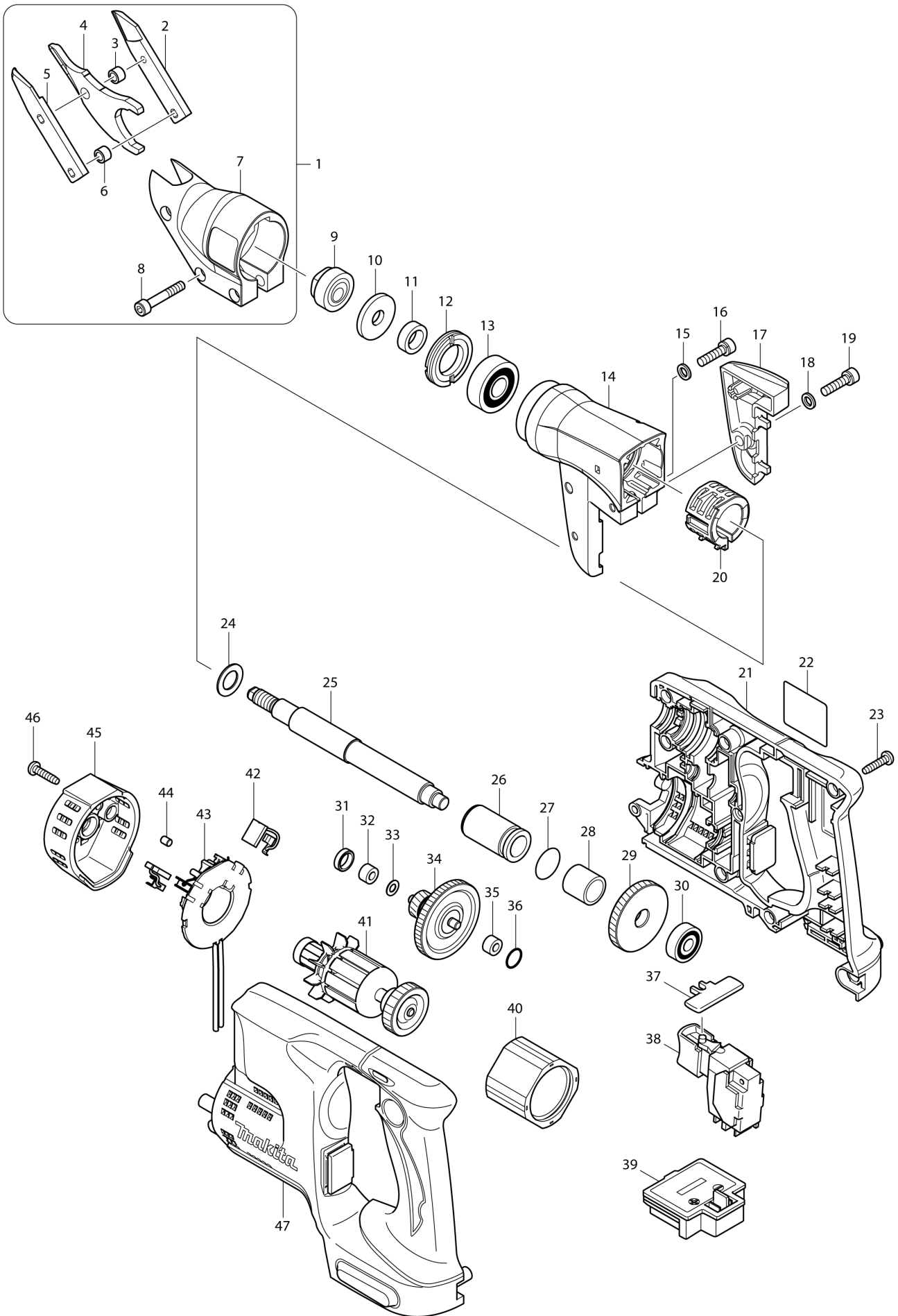
Diagram / Parts List

DJS130

CORDLESS METAL SHEAR 1.3MM



(TH) DJS130 / CORDLESS METAL SHEAR 1.3MM



TH	THAILAND
-----------	-----------------

DJS130 / CORDLESS METAL SHEAR 1.3MM

Item	Sub	Parts No.	Parts Description	Qty	I/C	E/C No.	Close No.	Remark
001		125849-8	SHEAR HEAD ASS'Y	1				
	C10	808046-8	INDICATION LABEL	1				
	D10		INC. 2-8					
002		792742-7	SIDE BLADE R	1				
003		257705-5	SLEEVE 5	1				
004		792744-3	CENTER BLADE	1				
005		792743-5	SIDE BLADE L	1				
006		257705-5	SLEEVE 5	1				
007		152663-9	CUTTING HEAD COMPLETE	1				
008		266268-0	HEX. SOCKET HEAD BOLT	3				
009		125111-1	BEARING ASS'Y	1				
010		267223-5	FLAT WASHER 10	1				
011		257173-2	RING 12	1				
012		285802-7	BEARING RETAINER 19-33	1				
013		211129-9	BALL BEARING 6201DDW	1				
014		318325-1	BARREL	1				
015		941102-2	FLAT WASHER 5	1			DK592	
016		922231-0	HEX. SOCKET HEAD BOLT M5X20	1			DK592	
016-1		922233-6	H.S.H.BOLT M5X20 WITH WR	1	S	DK592		
017		450757-7	HOLDER	1				
018		941102-2	FLAT WASHER 5	1			DK592	
019		922231-0	HEX. SOCKET HEAD BOLT M5X20	1			DK592	
019-1		922233-6	H.S.H.BOLT M5X20 WITH WR	1	S	DK592		
020		450755-1	CLAMPER	1				
021		187480-8	HOUSING SET	1				
	D10		INC. 47					
022		815V90-0	DJS130 NAME PLATE	1				
023		265995-6	TAPPING SCREW 4X18	9				
024		253744-3	FLAT WASHER 12	1				
025		324937-0	SPINDLE	1				
026		214174-3	PLANE BEARING 14	1				
027		213262-3	O RING 18	1				
028		257773-8	SLEEVE 14	1				
029		226686-4	HELICAL GEAR 39	1				
030		211034-0	BALL BEARING 608	1				
031		165115-1	RUBBER SLEEVE 10	1				
032		214017-9	PLANE BEARING 5	1				
033		253811-4	FLAT WASHER 5	1				
034		226154-7	GEAR COMPLETE 11-44	1				
035		214017-9	PLANE BEARING 5	1				
036		213055-8	O RING 10	1				
037		450756-9	LOOK OFF LEVER	1				
038		650670-1	SWITCH TG513SBA-2	1				
039		643860-3	TERMINAL	1				
040		638426-2	YOKE UNIT	1				
041		619237-4	ARMATURE	1				
042		195021-6	CARBON BRUSH SET CB-440	1				
043		638433-5	BRUSH HOLDER COMPLETE	1				
	C10	231696-8	TORSION SPRING R	1				
	C20	231697-6	TORSION SPRING L	1				
044		263032-0	RUBBER PIN 4	2				
045		419307-7	FRONT COVER	1				
046		265995-6	TAPPING SCREW 4X18	2				
047		187480-8	HOUSING SET	1				
	D10		INC. 21					
048		125112-9	SHEAR HEAD ASS'Y	1				
	D10		INC. 2-8					
A01		281220-7	HOOK	1				
A02		783202-0	HEX. WRENCH 4	1				
A03B		196015-4	BATTERY BL1830 SET	2			A5588	
A03-1B		196015-4	BATTERY BL1830 SET	2	O	A5588	B2535	
A03-2B		197600-6	BATTERY BL1830B SET	2	<	B2535	C2803	
A03-3B		199283-8	BATTERY BL1830B SET	2	<	C2803	D0159	
A03-4B		199283-8	BATTERY BL1830B SET	2	<	D0159		
A04B		450128-8	BATTERY COVER	1				

B:
C:

Interchange
O : Yes
X : No
< : the new part can be substituted for the current.
> : the current part can be substituted for the new.
S : Interchangeable as a set.

