



TH	THAILAND
----	----------

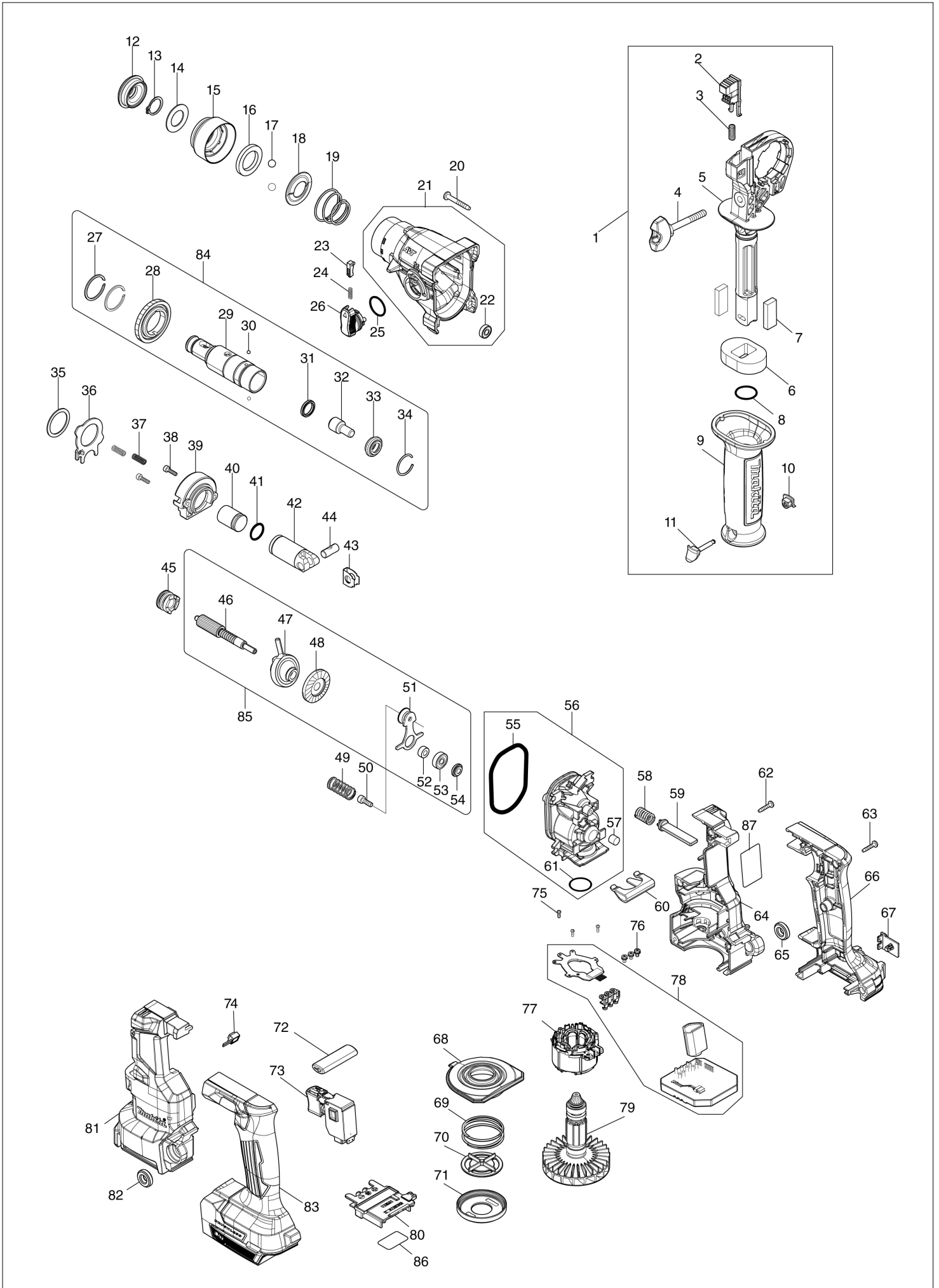
# Diagram / Parts List

**DHR183**

**18MM CORDLESS ROTARY HAMMER**



(TH) DHR183 / 18MM CORDLESS ROTARY HAMMER



TH	THAILAND
----	----------

### DHR183 / 18MM CORDLESS ROTARY HAMMER

Item	Sub	Parts No.	Parts Description	Qty	I/C	E/C No.	Close No.	Remark
001		122D63-1	GRIP ASSEMBLY	1				
	D10		INC. 2-11					
002		413N19-8	LOCK BUTTON	1				
003		233360-7	COMPRESSION SPRING 4	1				
004		265625-9	THUMB SCREW M6X50	1				
005		413N18-0	SIDE HANDLE BASE	1				
006		422A19-9	SPONGE SHEET A	1				
007		422A20-4	SPONGE SHEET B	2				
008		213262-3	O RING 18	1				
009		413N20-3	GRIP 36	1				
010		422255-1	CAP	1				
011		162C55-2	FIX PIN	1				
012		286037-3	CAP 34	1				
013		961057-5	RETAINING RING S-17	1				
014		253377-4	FLAT WASHER 17	1				
015		457214-6	CHUCK COVER	1				
016		257416-2	RING 21	1				
017		216022-2	STEEL BALL 7.0	2				
018		346177-0	GUIDE WASHER	1				
019		232347-6	CONICAL COMP. SPRING 21-29	1				
020		266050-7	TAPPING SCREW 4X30	4				
021		136955-4	GEAR HOUSING ASS'Y	1				
	D10		INC. 22					
022		211157-4	BALL BEARING 695ZZ	1				
023		161568-2	LOCK BUTTON COMPLETE	1				
024		232344-2	COMPRESSION SPRING 3	1				
025		213278-8	O RING 17	1				
026		161569-0	CHANGE LEVER COMPLETE	1				
027		961135-1	RETAINING(EXT) WR-25	2				
028		227A13-4	SPUR GEAR 42	1				
029		327B25-4	TOOL HOLDER	1				
030		216019-1	STEEL BALL 3	2				
031		213183-9	X RING 13	1				
032		326843-5	IMPACT BOLT	1				
033		326842-7	RING 10	1				
034		232343-4	RING SPRING 23	1				
035		267175-0	FLAT WASHER 24	1				
036		347B03-8	CHANGE PLATE	1				
037		232802-8	COMPRESSION SPRING 4	2				
038		265910-0	HEX. SOCKET HEAD BOLT M3X12	2				
039		141N19-5	INNER SUPPORT COMPLETE	1				
040		327007-4	STRIKER	1				
041		213128-7	O RING 12	1				
042		319510-9	PISTON CYLINDER	1				
043		347B05-4	GUIDE PLATE	1				
044		326846-9	PISTON JOINT	1				
045		327B24-6	CLUTCH CAM	1				
046		227A12-6	SPUR GEAR 9	1				
047		219033-6	SWASH BEARING 8	1				
048		227A14-2	SPIRAL BEVEL GEAR 29	1				
049		232801-0	COMPRESSION SPRING 10	1				
050		265353-6	HEX. SOCKET HEAD BOLT M4X12	1				
051		141N20-0	BEARING RETAINER COMPLETE	1				
052		257890-4	RING 5	1				
053		210065-6	BALL BEARING 625ZZ	1				
054		326847-7	RING 5	1				
055		213A29-5	O RING 55	1				
056		136961-9	INNER HOUSING ASS'Y	1				
	D10		INC. 55,57,61					
057		443153-6	FELT	1				
058		232782-8	COMPRESSION SPRING 8	1				
059		413N16-4	PUSHER	1				
060		347A85-4	BEARING RETAINER	1				
061		213325-5	O RING 19	1				
062		266130-9	TAPPING SCREW BIND PT 3X16	5				

A:DHR183Z(N)  
B:DHR183RTWJ(H)

Interchange  
O : Yes  
X : No  
< : the new part can be substituted for the current.  
> : the current part can be substituted for the new.  
S : Interchangeable as a set.

