



TH	THAILAND
----	----------

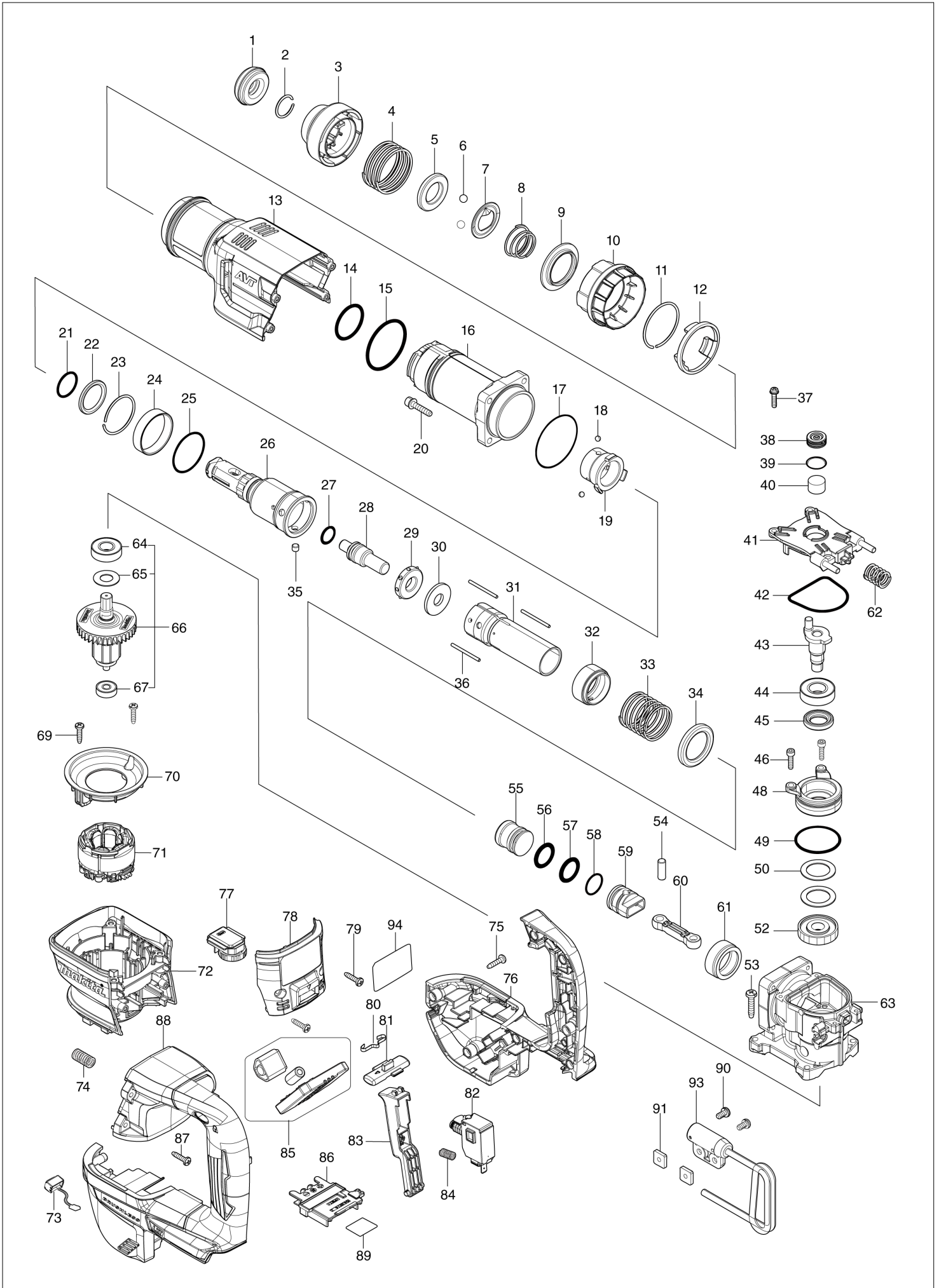
Diagram / Parts List

DHK180

CORDLESS POWER SCRAPER



(TH) DHK180 / CORDLESS POWER SCRAPER



TH	THAILAND
----	----------

DHK180 / CORDLESS POWER SCRAPER

Item	Sub	Parts No.	Parts Description	Qty	I/C	E/C No.	Close No.	Remark
001		286283-8	CAP 38	1				
002		233966-1	RING SPRING 19	1				
003		450275-5	CHUCK COVER	1				
004		234039-3	COMPRESSION SPRING 42	1				
005		257288-5	RING 21	1				
006		216022-2	STEEL BALL 7.0	2				
007		345873-7	GUIDE WASHER	1				
008		233916-6	CONICAL COMP. SPRING 21-29	1				
009		345874-5	STEEL BALL GUIDE	1				
010		450274-7	CHANGE RING	1				
011		231985-1	RING SPRING 43	1				
012		459752-4	SUPPORT RING	1				
013		459748-5	HOUSING COVER	1				
014		213465-9	O RING 31	1				
015		213617-2	O RING 47	1				
016		319988-6	BARREL	1				
017		213606-7	O RING 48	1				
018		216002-8	STEEL BALL 4.8	3				
019		331796-5	RING 25	1				
020		922243-3	HEX. SOCKET HEAD BOLT M5X25	4				
021		213008-7	O RING 22.4	1				
022		262142-0	URETHAN RING 26	1				
023		233956-4	RING SPRING 37	1				
024		257296-6	RING 39	1				
025		213142-3	O-RING 35	1				
026		324837-4	TOOL HOLDER	1				
027		213128-7	O RING 12	1				
028		324844-7	IMPACT BOLT	1				
029		424065-2	RUBBER RING 13	1				
030		267363-9	FLAT WASHER 12	1				
031		326814-2	CYLINDER	1				
032		326813-4	RING 29	1				
033		234041-6	COMPRESSION SPRING 32	1				
034		345872-9	CUP WASHER 29	1				
035		268226-2	PIN 6	3				
036		256862-6	ROD 2.5	3				
037		911133-5	PAN HEAD SCREW M4X18	4				
038		419988-7	FILTER CAP	1				
039		213218-6	O RING 16	1				
040		443129-3	FILTER	1				
041		459746-9	CRANK CAP	1				
042		424067-8	SEAL RING	1				
043		324845-5	CRANK SHAFT	1				
044		211232-6	BALL BEARING 6002LLU	1				
045		213219-4	OIL SEAL 15	1				
046		265490-6	HEX. SOCKET HEAD BOLT M4X16	2				
048		318202-7	BEARING BOX	1				
049		213513-4	O RING 39	1				
050		267126-3	FLAT WASHER 22	2				
052		226675-9	HELICAL GEAR 36	1				
053		266041-8	TAPPING SCREW 5X25	4				
054		256087-2	PIN 7	1				
055		324847-1	STRIKER	1				
056		213283-5	O-RING 18	1				
057		213283-5	O-RING 18	1				
058		213262-3	O RING 18	1				
059		450298-3	PISTON	1				
060		450278-9	CONNECTING ROD	1				
061		331797-3	SLEEVE 29	1				
062		232560-6	COMPRESSION SPRING 12	1				
063		158523-3	CRANK HOUSING COMPLETE	1				
	C10	213415-4	O RING 28	1				
064		211131-2	BALL BEARING 6001DDW	1				
065		253748-5	FLAT WASHER 12	1				
066		519589-2	ROTOR ASSY	1				

A:DHK180Z(N)

Interchange
O : Yes
X : No
< : the new part can be substituted for the current.
> : the current part can be substituted for the new.
S : Interchangeable as a set.

