



| | |
|----|----------|
| TH | THAILAND |
|----|----------|

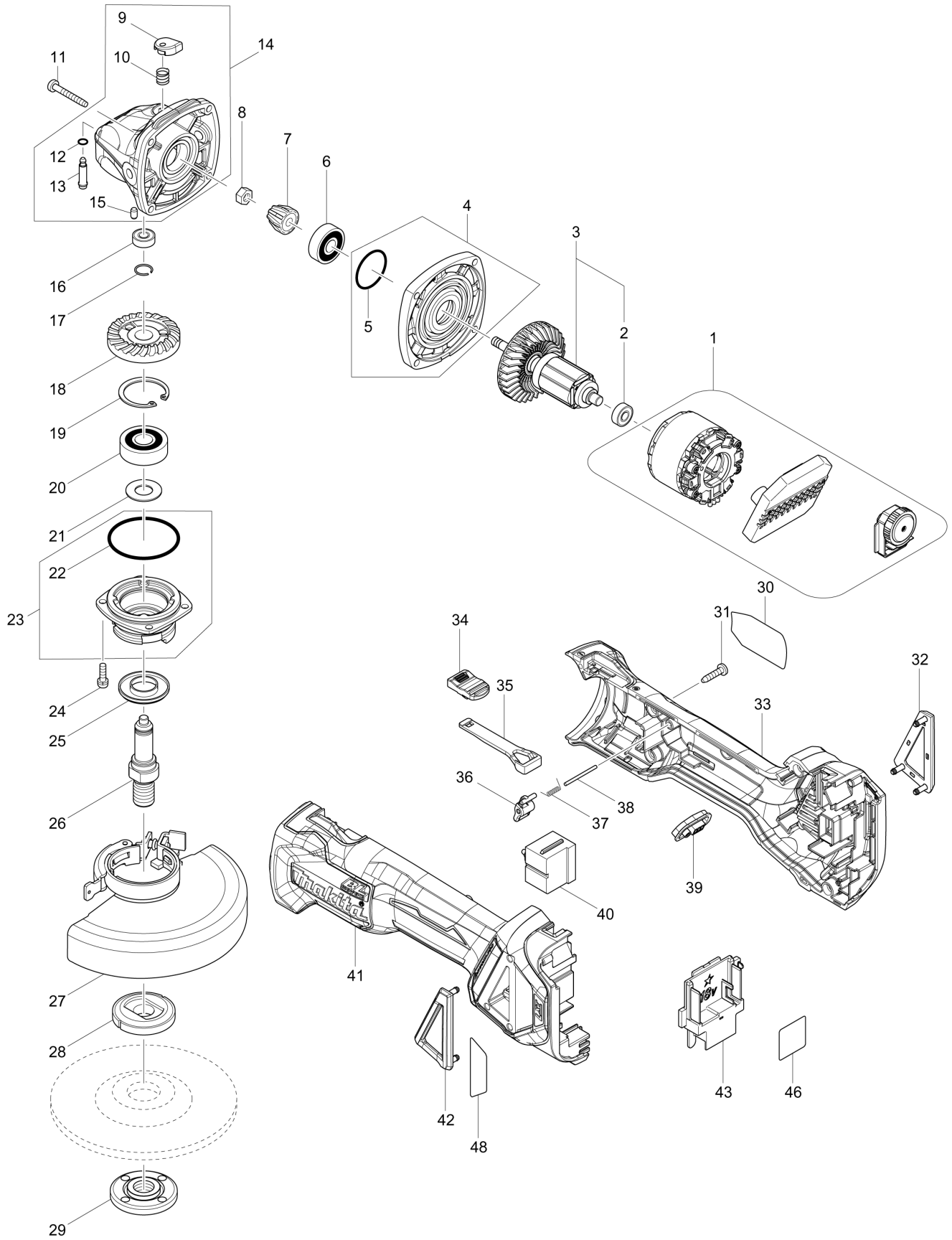
Diagram / Parts List

DGA511

125MM CORDLESS ANGLE GRINDER



(TH) DGA511 / 125MM CORDLESS ANGLE GRINDER



| | |
|-----------|-----------------|
| TH | THAILAND |
|-----------|-----------------|

DGA511 / 125MM CORDLESS ANGLE GRINDER

| Item | Sub | Parts No. | Parts Description | Qty | I/C | E/C No. | Close No. | Remark |
|--------|-----|-----------|--------------------------------|-----|-----|---------|-----------|--------|
| 001 | | 629296-0 | STATOR COMPLETE | 1 | | | DE854 | |
| 001-1 | | 629B61-9 | STATOR | 1 | S | DE854 | | |
| 002 | | 211021-9 | BALL BEARING 607LLB | 1 | | | | |
| 003 | | 510300-5 | ROTOR ASS'Y | 1 | | | D7193 | |
| | D10 | | INC. 2 | | | | D7193 | |
| 003-1 | | 510300-5 | ROTOR ASS'Y | 1 | O | D7193 | | |
| | D10 | | INC. 2 | | | D7193 | | |
| 004 | | 135930-7 | GEAR HOUSING COVER ASSEMBLY | 1 | | | | |
| | D10 | | INC. 5 | | | | | |
| 005 | | 213445-5 | O-RING 26 | 1 | | | | |
| 006 | | 210042-8 | BALL BEARING 629LLB | 1 | | | | |
| 007A | | 227541-3 | SPIRAL BEVEL GEAR 10 | 1 | | | C3594 | |
| 007B | | 227541-3 | SPIRAL BEVEL GEAR 10 | 1 | | | C3594 | |
| 007-1A | | 226861-2 | SPIRAL BEVEL GEAR 10 | 1 | S | C3594 | | |
| 007-1B | | 226861-2 | SPIRAL BEVEL GEAR 10 | 1 | S | C3594 | | |
| 007-1C | | 226861-2 | SPIRAL BEVEL GEAR 10 | 1 | | | | |
| 008 | | 252186-8 | HEX. NUT M6 | 1 | | | | |
| 009 | | 417771-6 | PIN CAP | 1 | | | | |
| 010 | | 233072-2 | COMPRESSION SPRING 8 | 1 | | | | |
| 011 | | 266361-0 | TAPPING SCREW 4X30 | 4 | | | | |
| 012 | | 213960-9 | O RING 5 | 1 | | | | |
| 013 | | 256546-6 | SHOULDER PIN 4 | 1 | | | | |
| 014 | | 135929-2 | GEAR HOUSING ASSEMBLY | 1 | | | | |
| | D10 | | INC. 9,10,12,13,15 | | | | | |
| 015 | | 263002-9 | RUBBER PIN 4 | 1 | | | | |
| 016 | | 210006-2 | BALL BEARING 696ZZ | 1 | | | | |
| 017 | | 233950-6 | RING SPRING 11 | 1 | | | | |
| 018A | | 227641-9 | SPIRAL BEVEL GEAR 37 | 1 | | | C3594 | |
| 018B | | 227641-9 | SPIRAL BEVEL GEAR 37 | 1 | | | C3594 | |
| 018-1A | | 226862-0 | SPIRAL BEVEL GEAR 37 | 1 | S | C3594 | | |
| 018-1B | | 226862-0 | SPIRAL BEVEL GEAR 37 | 1 | S | C3594 | | |
| 018-1C | | 226862-0 | SPIRAL BEVEL GEAR 37 | 1 | | | | |
| 019 | | 962151-6 | RETAINING RING R-32 | 1 | | | | |
| 020 | | 211129-9 | BALL BEARING 6201DDW | 1 | | | | |
| 021 | | 267113-2 | FLAT WASHER 12 | 1 | | | D7262 | |
| 021-1 | | 267238-2 | FLAT WASHER 12 | 1 | O | D7262 | | |
| 022 | | 213622-9 | O RING 45 | 1 | | | | |
| 023 | | 135928-4 | BEARING BOX ASSEMBLY | 1 | | | | |
| | D10 | | INC. 22 | | | | | |
| 024 | | 911121-2 | PAN HEAD SCREW M4X14 | 4 | | | | |
| 025 | | 345464-4 | LABYRINTH RING | 1 | | | | |
| 026 | | 324954-0 | SPINDLE | 1 | | | | |
| 027 | | 123145-8 | TOOLLESS WHEELCOVER 125AK ASS' | 1 | | | | |
| | C10 | 213009-5 | O RING 4 | 1 | | | | |
| | C20 | 265180-1 | PAN HEAD SCREW M5X16 | 1 | | | | |
| 028 | | 224490-5 | INNER FLANGE 14-45 | 1 | | | | |
| 029 | | 224554-5 | LOCK NUT 14-45 | 1 | | | | |
| 030 | | 853X56-4 | DGA511 NAME PLATE | 1 | | | | |
| 031 | | 266326-2 | TAPPING SCREW 4X18 | 5 | | | | |
| 032 | | 455450-8 | DUST COVER R | 1 | | | | |
| 033 | | 183H82-6 | MOTOR HOUSING SET | 1 | | | | |
| | C10 | 263005-3 | RUBBER PIN 6 | 2 | | | | |
| | D10 | | INC. 41 | | | | | |
| 034 | | 455447-7 | SWITCH KNOB | 1 | | | | |
| 035 | | 455446-9 | SWITCH LEVER | 1 | | | | |
| 036 | | 455448-5 | LEVER | 1 | | | | |
| 037 | | 231679-8 | TORSION SPRING 2 | 1 | | | | |
| 038 | | 268330-7 | PIN 2 | 1 | | | | |
| 039 | | 142901-7 | INDICATOR PANEL COMPLETE | 1 | | | | |
| 040 | | 650579-7 | SWITCH 1246.3223 | 1 | | | | |
| 041 | | 183H82-6 | MOTOR HOUSING SET | 1 | | | | |
| | C10 | 263005-3 | RUBBER PIN 6 | 2 | | | | |
| | D10 | | INC. 33 | | | | | |
| 042 | | 455449-3 | DUST COVER L | 1 | | | | |
| 043 | | 643874-2 | TERMINAL | 1 | | | | |

A:DGA511Z(N)
 B:DGA511RTE(H)
 C:DGA511RFE(H)

Interchange
 O : Yes
 X : No
 < : the new part can be substituted for the current.
 > : the current part can be substituted for the new.
 S : Interchangeable as a set.

