



TH	THAILAND
----	----------

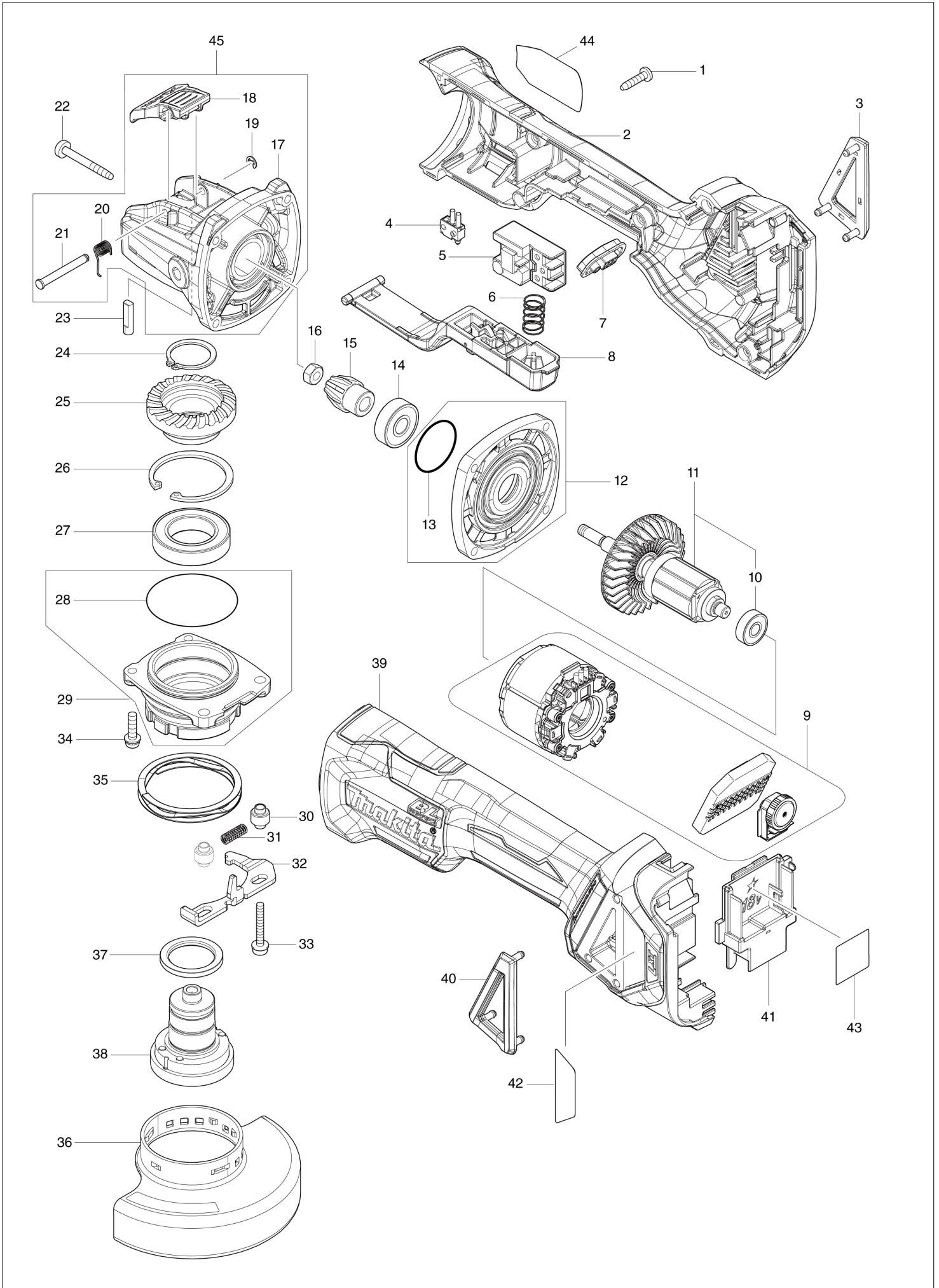
Diagram / Parts List

DGA419

100MM CORDLESS ANGLE GRINDER



(TH) DGA419 / 100MM CORDLESS ANGLE GRINDER



TH	THAILAND
-----------	-----------------

DGA419 / 100MM CORDLESS ANGLE GRINDER

Item	Sub	Parts No.	Parts Description	Qty	I/C	E/C No.	Close No.	Remark
001		266326-2	TAPPING SCREW 4X18	5				
002		183H86-8	MOTOR HOUSING SET	1				
	C10	263005-3	RUBBER PIN 6	2				
	D10		INC. 39					
003		455450-8	DUST COVER R	1				
004		632E12-1	SWITCH UNIT	1				
005		650734-1	SWITCH TG73BDS-2	1				
006		234357-9	COMPRESSION SPRING 11	1				
007		142901-7	INDICATOR PANEL COMPLETE	1				
008		142976-6	SWITCH LEVER COMPLETE	1				
009		629304-7	STATOR COMPLETE	1			DE854	
009-1		629B61-9	STATOR	1	S	DE854		
010		211021-9	BALL BEARING 607LLB	1				
011		519601-8	ROTOR ASS'Y	1			DG941	
	D10		INC. 10				DG941	
011-1		519601-8	ROTOR ASS'Y	1	O	DG941		
	D10		INC. 10			DG941		
012		135930-7	GEAR HOUSING COVER ASSEMBLY	1				
	D10		INC. 13					
013		213445-5	O-RING 26	1				
014		210042-8	BALL BEARING 629LLB	1				
015		226950-3	SPIRAL BEVEL GEAR 10	1				
016		252186-8	HEX. NUT M6	1				
017		140N76-0	GEAR HOUSING COMPLETE	1				
018		459967-3	LEVER	1				
019		961017-7	STOP RING E-3	1				
020		232576-1	TORSION SPRING 5	1				
021		256935-5	HEADED PIN 4	1				
022		266361-0	TAPPING SCREW 4X30	4				
023		327460-4	SHAFT	1				
024		961104-2	RETAINING RING S-24	1				
025		226951-1	SPIRAL BEVEL GEAR 37	1				
026		962201-7	RETAINING RING (INT) R-42	1				
027		210208-0	BALL BEARING 6905DDW	1				
028		213622-9	O RING 45	1				
029		136199-6	BEARING BOX ASS'Y	1				
	D10		INC. 28					
030		327322-6	SLEEVE 4	2				
031		232490-1	COMPRESSION SPRING 4	1				
032		347615-5	LEVER	1				
033		911159-7	PAN HEAD SCREW M4X30	2				
034		911138-5	P.H.SCREW M4X20 WITH WR	2				
035		232577-9	COLIED WAVE SPRING 49	1			DH534	
035-1		232577-9	COLIED WAVE SPRING 49	1	O	DH534		
036		347616-3	WHEEL COVER 100	1				
037		327459-9	RING 25	1				
038		127428-8	SPINDLE ASSEMBLY	1				
039		183H86-8	MOTOR HOUSING SET	1				
	C10	263005-3	RUBBER PIN 6	2				
	D10		INC. 2					
040		455449-3	DUST COVER L	1				
041		643874-2	TERMINAL	1				
042		816D93-9	INDICATION LABEL	1				
043		856R49-4	DGA419 SERIAL NO. LABEL	1				
044		856R47-8	DGA419 NAME PLATE	1				
045		136209-9	GEAR HOUSING ASS'Y	1				
	D10		INC. 17-21					
046		620K21-8	CONTROLLER	1	S	DE854		
047		652119-7	PAN HEAD SCREW M2X6	6	S	DE854		
A01		158237-4	GRIP 36 COMPLETE	1				
A02		E-00496	GRINDING WHEEL INOX 100 X-LOCK	1				
F03		194514-0	VIBRATION PROOF GRIP SET	1				
F04		191V54-1	CUTTING W.C.A. 100 SET	1		DA752		

A:DGA419Z(N)

Interchange
O : Yes
X : No
< : the new part can be substituted for the current.
> : the current part can be substituted for the new.
S : Interchangeable as a set.