



TH	THAILAND
----	----------

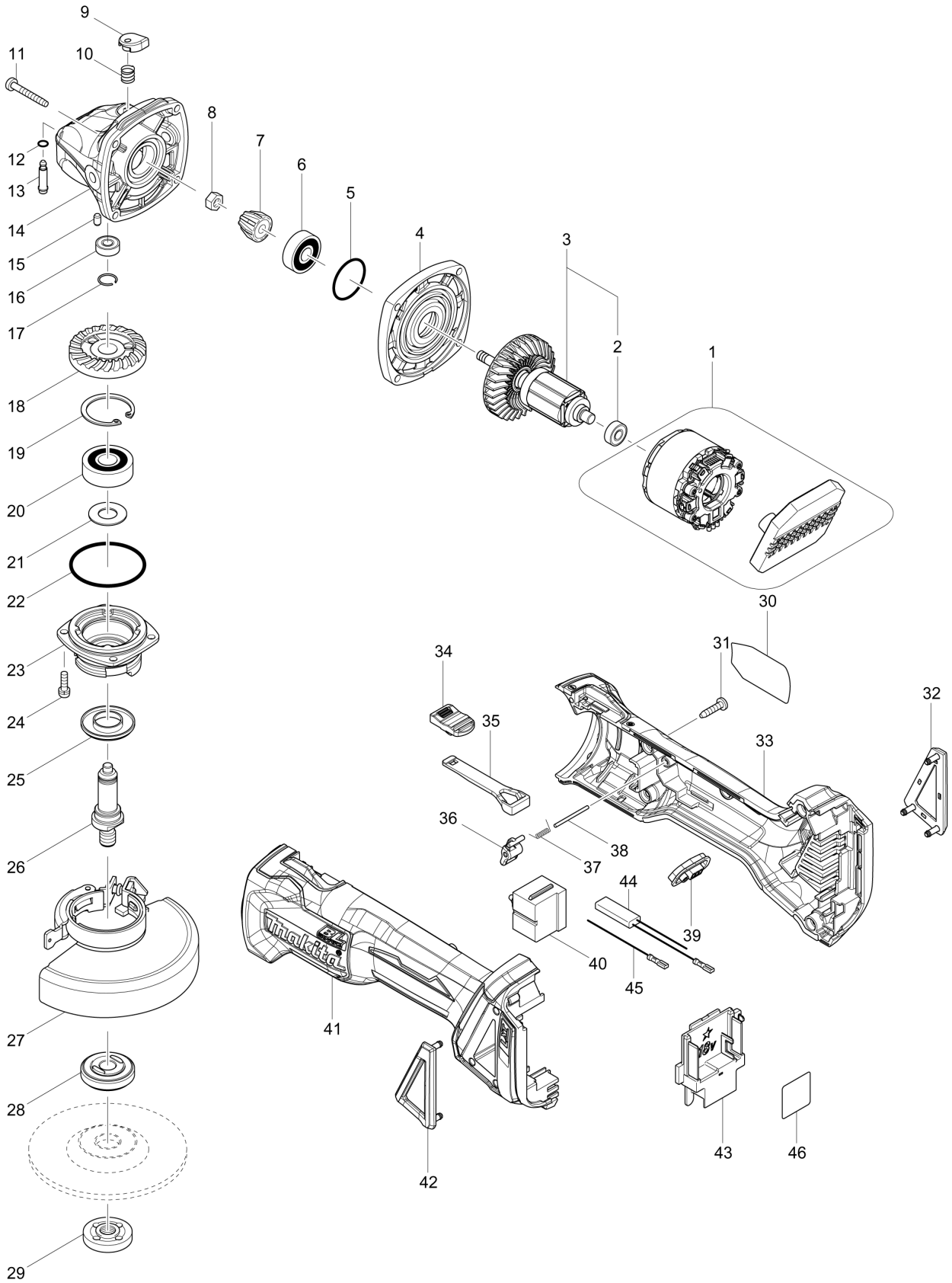
Diagram / Parts List

DGA404

100MM CORDLESS ANGLE GRINDER



(TH) DGA404 / 100MM CORDLESS ANGLE GRINDER



TH	THAILAND
----	----------

DGA404 / 100MM CORDLESS ANGLE GRINDER

Item	Sub	Parts No.	Parts Description	Qty	I/C	E/C No.	Close No.	Remark
001		629134-6	STATOR COMPLETE	1			B0251	
001-1		629173-6	STATOR COMPLETE	1	S	B0251	B4436	
001-2		629176-0	STATOR COMPLETE	1	O	B4436	DE855	
001-3		629B61-9	STATOR	1	S	DE855		
002		211021-9	BALL BEARING 607LLB	1				
003		510297-8	ROTOR ASS'Y	1			Y07341	
	D10		INC. 2				Y07341	
003-1		510300-5	ROTOR ASS'Y	1	O	Y07341	D7193	
	D10		INC. 2			Y07341	D7193	
003-2		510300-5	ROTOR ASS'Y	1	O	D7193		
	D10		INC. 2			D7193		
004		319214-3	GEAR HOUSING COVER	1				
005		213445-5	O-RING 26	1				
006		210042-8	BALL BEARING 629LLB	1				
007		227541-3	SPIRAL BEVEL GEAR 10	1			C3594	
007-1		226861-2	SPIRAL BEVEL GEAR 10	1	S	C3594		
008		252186-8	HEX. NUT M6	1				
009		417771-6	PIN CAP	1				
010A		233072-2	COMPRESSION SPRING 8	1			DC788	
010B		233072-2	COMPRESSION SPRING 8	1			DC788	
010C		233072-2	COMPRESSION SPRING 8	1				
010-1A		233376-2	COMPRESSION SPRING 8	1	O	DC788		
010-1B		233376-2	COMPRESSION SPRING 8	1	O	DC788		
011A		266361-0	TAPPING SCREW 4X30	4			Z49451	
011B		266361-0	TAPPING SCREW 4X30	4			Z49451	
011C		266361-0	TAPPING SCREW 4X30	4				
011-1A		265654-2	TAPPING SCREW 4X30	4	O	Z49451		
011-1B		265654-2	TAPPING SCREW 4X30	4	O	Z49451		
012		213960-9	O RING 5	1				
013		256546-6	SHOULDER PIN 4	1				
014		319213-5	GEAR HOUSING	1				
015		263002-9	RUBBER PIN 4	1				
016		210006-2	BALL BEARING 696ZZ	1				
017		233950-6	RING SPRING 11	1				
018		227641-9	SPIRAL BEVEL GEAR 37	1			C3594	
018-1		226862-0	SPIRAL BEVEL GEAR 37	1	S	C3594		
019		962151-6	RETAINING RING R-32	1				
020		211129-9	BALL BEARING 6201DDW	1				
021		267113-2	FLAT WASHER 12	1			D7262	
021-1		267238-2	FLAT WASHER 12	1	O	D7262		
022		213622-9	O RING 45	1				
023		318331-6	BEARING BOX	1				
024		911121-2	PAN HEAD SCREW M4X14	4				
025		345464-4	LABYRINTH RING	1				
026		324956-6	SPINDLE	1				
027		122893-6	TOOLLESS WHEEL COVER 100K ASSY	1				
	C10	213009-5	O RING 4	1				
	C20	265180-1	PAN HEAD SCREW M5X16	1				
028		224314-5	INNER FLANGE 30	1				
029		224559-5	LOCK NUT 10-30	1				
030		850J12-1	DGA404 NAME PLATE	1			DK344	
030-1		8589G7-1	DGA404 NAME PLATE	1	<	DK344		
031A		266326-2	TAPPING SCREW 4X18	5			Z49451	
031B		266326-2	TAPPING SCREW 4X18	5			Z49451	
031C		266326-2	TAPPING SCREW 4X18	5				
031-1A		265652-6	TAPPING SCREW 4X18	5	O	Z49451		
031-1B		265652-6	TAPPING SCREW 4X18	5	O	Z49451		
032		455450-8	DUST COVER R	1				
033		187998-9	MOTOR HOUSING SET	1				
	C10	263005-3	RUBBER PIN 6	2				
	D10		INC. 41					
034		455447-7	SWITCH KNOB	1				
035		455446-9	SWITCH LEVER	1				
036		455448-5	LEVER	1				
037		231679-8	TORSION SPRING 2	1				

A:DGA404Z(N)
 B:DGA404RFE(H)
 C:DGA404SYE(H)

Interchange
 O : Yes
 X : No
 < : the new part can be substituted for the current.
 > : the current part can be substituted for the new.
 S : Interchangeable as a set.

