



TH	THAILAND
----	----------

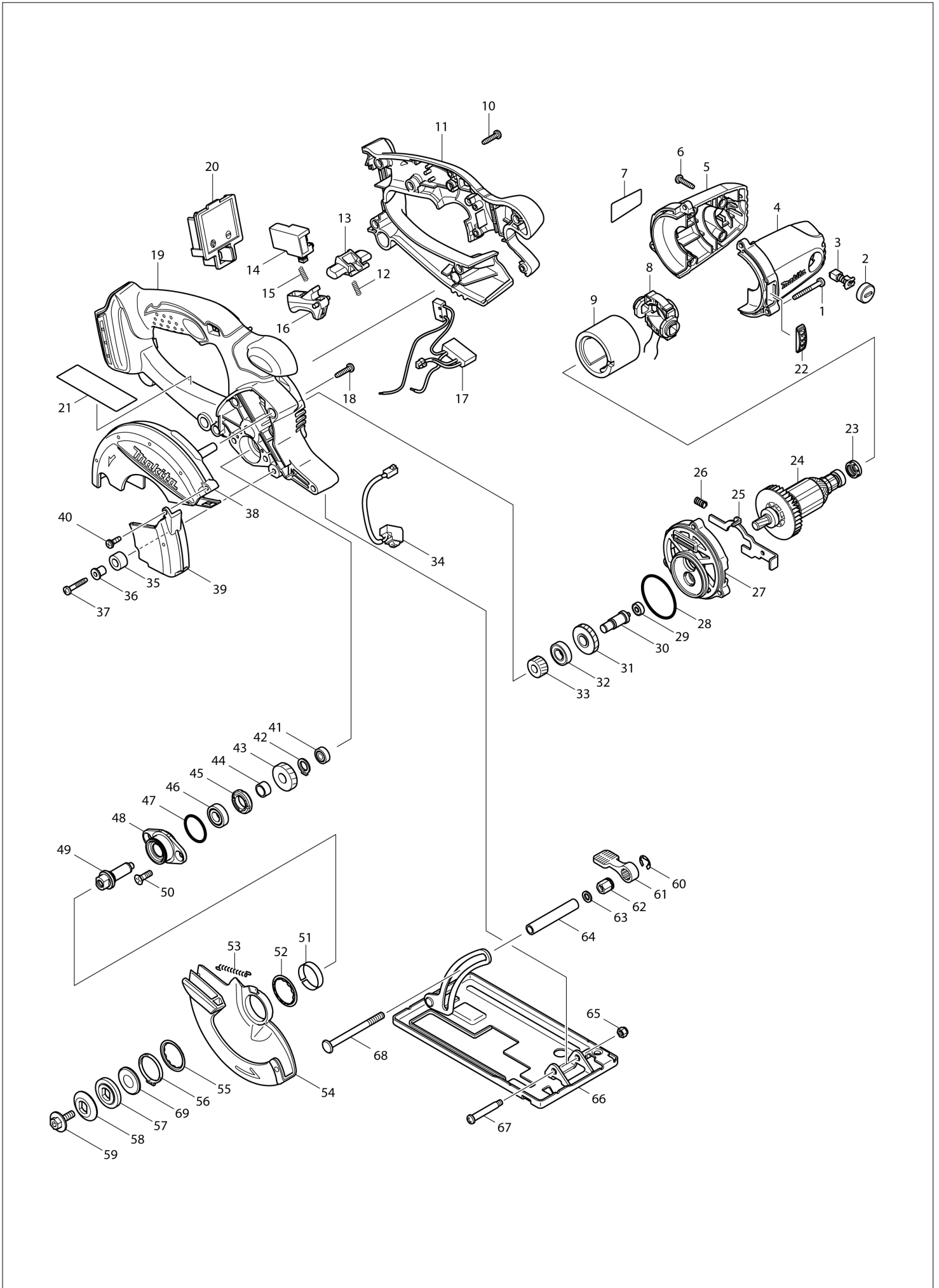
Diagram / Parts List

DCS550

CORDLESS METAL CUTTER



(TH) DCS550 / CORDLESS METAL CUTTER



TH	THAILAND
----	----------

DCS550 / CORDLESS METAL CUTTER

Item	Sub	Parts No.	Parts Description	Qty	I/C	E/C No.	Close No.	Remark
001		266053-1	TAPPING SCREW 4X35	3				
002		643807-7	BRUSH HOLDER CAP	2				
003		195018-5	CARBON BRUSH SET CB-430	1				
004		188209-5	HOUSING SET	1				
	D10		INC. 5					
005		188209-5	HOUSING SET	1				
	D10		INC. 4					
006		265995-6	TAPPING SCREW 4X18	4				
007		815P08-5	DCS550 NAME PLATE	1				
008		638502-2	ENDBELL COMPLETE	1				
009		638420-4	YOKE UNIT	1				
010		265995-6	TAPPING SCREW 4X18	8				
011		453426-9	HANDLE L	1			C3319	
011-1		140F58-4	HANDLE L COMPLETE	1	S	C3319		
012		231469-9	COMPRESSION SPRING 4	1				
013		419664-3	LOCK OFF LEVER	1				
014		651956-6	SWITCH TG72BD	1				
015		231469-9	COMPRESSION SPRING 4	1				
016		419665-1	SWITCH LEVER	1				
017		620260-4	CONTROLLER	1			DC263	
017-1		620G70-1	CONTROLLER	1	<	DC263		
018		265995-6	TAPPING SCREW 4X18	3				
019		453154-6	HANDLE R	1			C3319	
019-1		140F53-4	HANDLE R COMPLETE	1	S	C3319		
020		644808-8	TERMINAL	1				
022		419609-1	FAN GUARD	1				
023		421977-0	RUBBER RING 13	1				
024		619290-0	ARMATURE	1				
025		345643-4	SHAFT LOCK	1				
026		233117-6	COMPRESSION SPRING 6	1				
027		419656-2	GEAR HOUSING	1				
028		213560-5	O RING 44	1				
029		210036-3	BALL BEARING 604ZZ	1				
030		324729-7	GEAR SHAFT	1				
031		227752-0	HELICAL GEAR 27	1				
032		210080-0	BALL BEARING 6900ZZ	1				
033		226635-1	HELICAL GEAR 15	1				
034		631550-0	LED CIRCUIT	1				
035		262566-0	RUBBER SLEEVE 6	1				
036		262563-6	SLEEVE 4	1				
037		265999-8	TAPPING SCREW 4X25	1				
038		419662-7	BLADE CASE	1				
039		419663-5	BLADE COVER	1				
040		266020-6	TAPPING SCREW 4X12	1				
041		210006-2	BALL BEARING 696ZZ	1				
042		961006-2	RETAINING RING S-10	1				
043		226640-8	HELICAL GEAR 23	1				
044		257760-7	SLEEVE 10	1				
045		285847-5	BEARING RETAINER 14-23	1				
046		210069-8	BALL BEARING 6900DDW	1				
047		213435-8	O RING 26	1				
048		318087-1	BEARING BOX	1				
049		324730-2	SPINDLE	1				
050		265034-2	+ COUNTERSUNK HEAD SCREW M5X1	2				
051		345470-9	THICKNESS RING	1				
052		345739-1	SPACER	1				
053		231792-2	TENSION SPRING 3	1				
054		158116-6	SAFETY COVER COMPLETE	1				
055		345739-1	SPACER	1				
056		257938-2	RETAINING RING(EXT) WR-26	1				
057		224391-7	INNER FLANGE 30	1				
058		224404-4	OUTER FLANGE 30	1				
059		266458-5	HEX.SOCKET HEX.BOLT M6X18	1				
060		961014-3	STOP RING E-8	1				
061		272229-0	LEVER 40	1				

C:DCS550Z(N)
D:DCS550RFE(H)

Interchange
O : Yes
X : No
< : the new part can be substituted for the current.
> : the current part can be substituted for the new.
S : Interchangeable as a set.

