



TH	THAILAND
----	----------

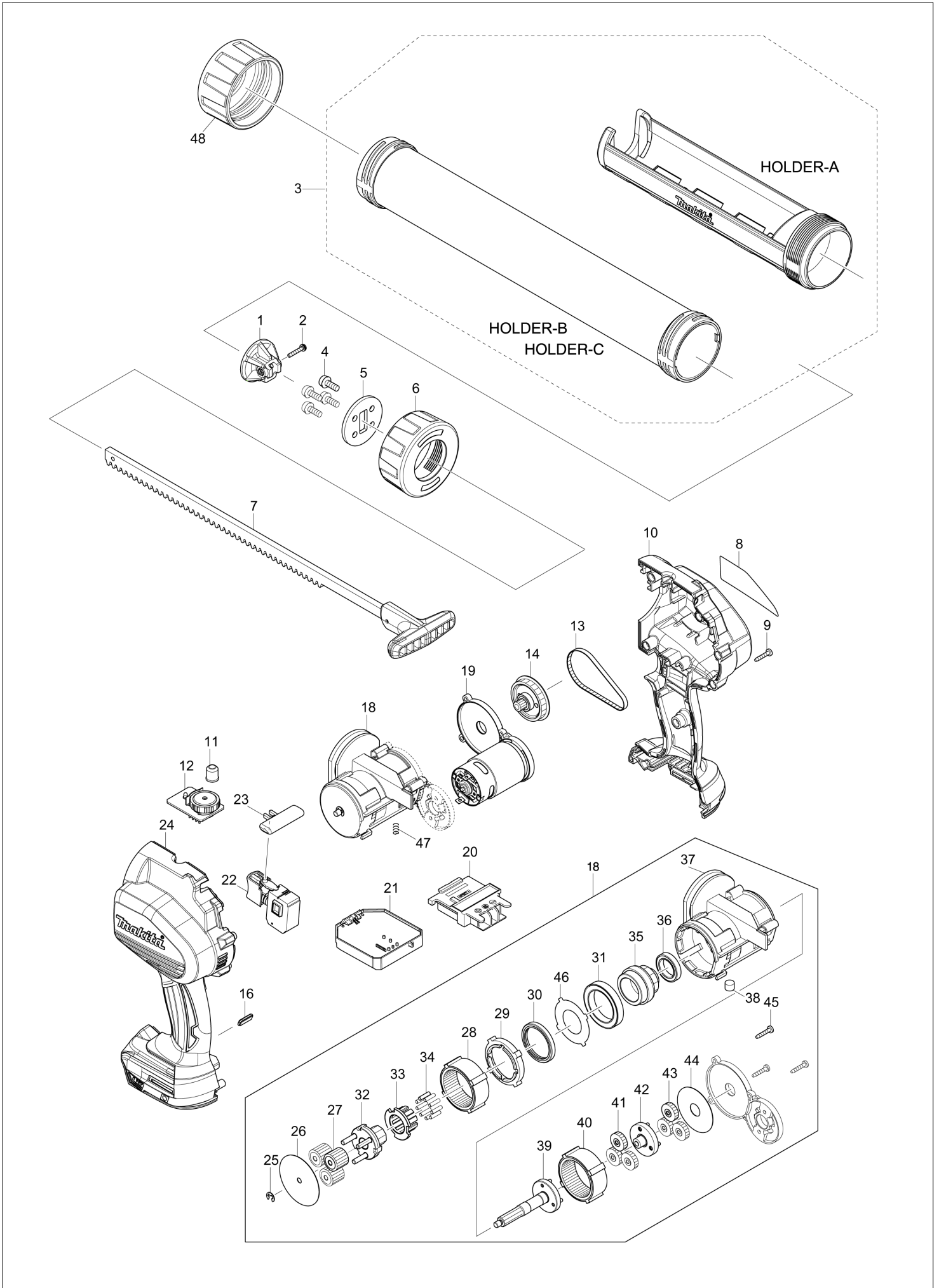
Diagram / Parts List

DCG180

CORDLESS CAULKING GUN



(TH) DCG180 / CORDLESS CAULKING GUN



TH	THAILAND
-----------	-----------------

DCG180 / CORDLESS CAULKING GUN

Item	Sub	Parts No.	Parts Description	Qty	I/C	E/C No.	Close No.	Remark
001		142071-2	PISTON A COMPLETE	1				
002		266827-0	PAN HEAD SCREW M3X18 WITH WR	1				
003		454275-7	HOLDER A	1				
004		265074-0	PAN HEAD SCREW M5X16	4				
005		346649-5	PLATE	1				
006		454223-6	HOLDER JOINT A	1				
007		142041-1	RACK 42 COMPLETE	1				
008		815F86-5	DCG180 NAME PLATE	1				
009		266429-2	TAPPING SCREW 3X16	9			DE715	
009-1		266130-9	TAPPING SCREW BIND PT 3X16	9	O	DE715		
010		187618-5	HOUSING SET	1				
	C10	263005-3	RUBBER PIN 6	2				
	D10		INC. 24					
011		418821-0	LENS	1				
012		620180-2	SUB CONTROLLER	1				
013		225097-0	SYNCHRO BELT 4-176	1				
014		142038-0	SPUR GEAR 9A COMPLETE	1				
016		454230-9	LENS	1				
018		126253-4	GEAR ASSEMBLY	1				
	D10		INC. 25-46					
019		142066-5	MOTOR COMPLETE	1				
020		643860-3	TERMINAL	1				
021		632A63-0	CONTROLLER UNIT	1			B8927	
021-1		632L35-1	CONTROLLER UNIT	1	O	B8927		
022		650632-9	SWITCH	1				
023		451162-1	LOCK LEVER	1				
024		187618-5	HOUSING SET	1				
	C10	263005-3	RUBBER PIN 6	2				
	D10		INC. 10					
025		961011-9	STOP RING E-4	1				
026		267465-1	FLAT WASHER 5	1				
027		227311-0	SPUR GEAR 19B	3				
028		227309-7	INTERNAL GEAR 48	1				
029		454220-2	SPACER	1			B5173	
029-1		144375-8	SPACER COMPLETE	1	S	B5173		
030		213768-1	OIL SEAL 30	1			B5173	
031		211294-4	BALL BEARING 6806LLU	1		A8047		
032		141860-2	CARRIER A COMPLETE	1				
033		313253-5	CARRIER B	1				
034		256255-7	PIN 3	9				
035		227312-8	SPUR GEAR 10	1				
036		211482-3	BALL BEARING 6803LLU	1				
037		454219-7	GEAR HOUSING	1				
038		313257-7	MAGNET	1				
039		141859-7	SPUR GEAR 9C COMPLETE	1				
040		227309-7	INTERNAL GEAR 48	1				
041		227310-2	SPUR GEAR 19A	3				
042		141858-9	SPUR GEAR 9B COMPLETE	1				
043		227310-2	SPUR GEAR 19A	3				
044		267466-9	FLAT WASHER 12	1				
045		266429-2	TAPPING SCREW 3X16	3			DE715	
045-1		266130-9	TAPPING SCREW BIND PT 3X16	3	O	DE715		
046		346721-3	PLATE 23	1				
047		234315-5	COMPRESSION SPRING 6	1				
A01		195246-2	SAFETY GOGGLE	1			DJ640	
A02B		***DC18RC	DC18RC FAST CHARGER	1				
A03-1B		196015-4	BATTERY BL1830 SET	2			B2535	
A03-2B		197600-6	BATTERY BL1830B SET	2	<	B2535	C2803	
A03-3B		199283-8	BATTERY BL1830B SET	2	<	C2803	D0159	
A03-4B		199283-8	BATTERY BL1830B SET	2	<	D0159		
A04B		821568-1	PLASTIC CASE	1				
	C10	162271-8	LATCH	2				
A05B		802X73-1	DCG180RFE PLASTIC CASE LABEL	2				
A06B		450128-8	BATTERY COVER	1				
F09		196351-8	HOLDER A SET	1				

A:DCG180Z(N)
B:DCG180RFE(H)

Interchange
O : Yes
X : No
< : the new part can be substituted for the current.
> : the current part can be substituted for the new.
S : Interchangeable as a set.

