



TH	THAILAND
----	----------

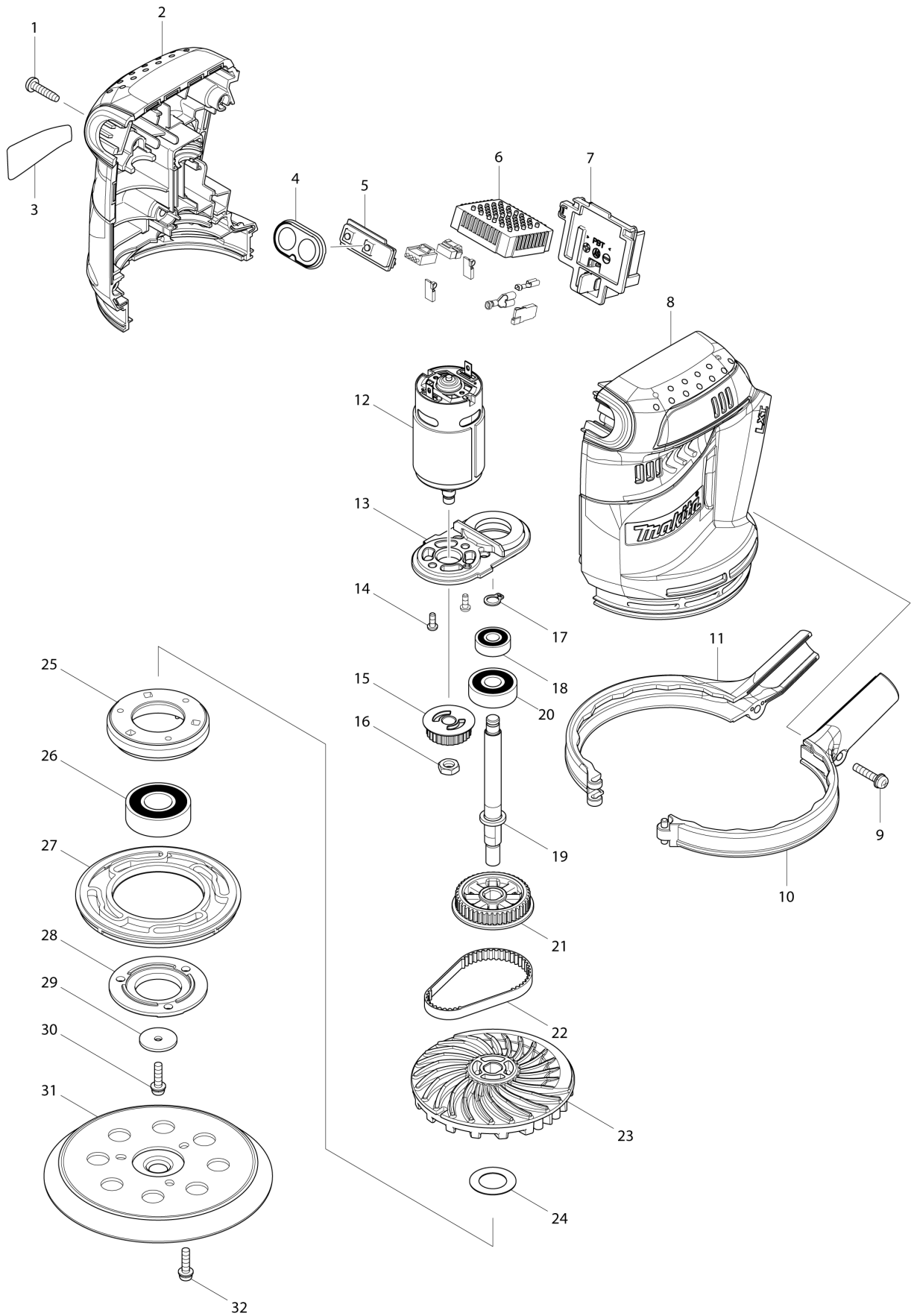
# Diagram / Parts List

**DBO180**

**125MM CRDLS RNDM ORBIT SANDER**



(TH) DBO180 / 125MM CRDLS RNDM ORBIT SANDER



<b>TH</b>	<b>THAILAND</b>
-----------	-----------------

## DBO180 / 125MM CRDLS RNDM ORBIT SANDER

Item	Sub	Parts No.	Parts Description	Qty	I/C	E/C No.	Close No.	Remark
001		265995-6	TAPPING SCREW 4X18	5				
002		187423-0	HOUSING SET	1				
	C10	263005-3	RUBBER PIN 6	2				
	D10		INC. 8					
003		815F52-2	DBO180 NAME PLATE	1				
004		141419-5	SWITCH PLATE COMPLETE	1				
005		620115-3	SWITCH UNIT	1				
006		638789-6	CONTROLLER UNIT	1			C1298	
006-1		632M22-6	CONTROLLER UNIT	1	<	C1298		
	C20	654086-2	RECEPTACLE	2		DE372		
007		644808-8	TERMINAL	1				
008		187423-0	HOUSING SET	1				
	C10	263005-3	RUBBER PIN 6	2				
	D10		INC. 2					
009		911138-5	P.H.SCREW M4X20 WITH WR	1				
010		187360-8	SKIRT SET	1				
	D10		INC. 11					
011		187360-8	SKIRT SET	1				
	D10		INC. 10					
012		629952-2	DC MOTOR	1				
013		453632-6	MOTOR BRACKET	1				
014		265199-0	+ PAN HEAD SCREW M3X8	2				
015		222175-7	PULLEY 7.5-24.1	1				
016		931303-0	HEX. NUT M6	1			Z41950	
016-1		252268-6	HEX. NUT M6	1	O	Z41950		
017		961003-8	RETAINING RING S-7	1				
018		210062-2	BALL BEARING 607ZZ	1				
019		326168-7	SPINDLE	1				
020		211092-6	BALL BEARING 629DDW	1				
021		222176-5	PULLEY 7.5-40.3	1				
022		225095-4	SYNCHRO BELT 6-174	1				
023		240136-5	FAN 88	1				
024		267164-5	FLAT WASHER 15	1				
025		318304-9	BEARING BOX	1				
026		211228-7	BALL BEARING 6202DDW	1				
027		424131-5	BRAKE RING	1				
028		318303-1	BEARING BOX COVER	1				
029		253739-6	FLAT WASHER 4	1				
030		911128-8	P.H.SCREW M4X16 WITH WR	1				
031		743081-8	PAD 123	1				
032		911128-8	P.H.SCREW M4X16 WITH WR	3				
A01		135246-0	DUST BOX ASSEMBLY	1				
	D10		INC. A02-A05					
A02		450770-5	DUST BOX	1				
A03		450769-0	DUST NOZZLE	1				
A04		424144-6	RUBBER SLEEVE	1				
A05		232246-2	LEAF SPRING	2				
A06		194746-9	PAPER DUST BAG SET	1				
A07		794544-7	ABRASIVE DISC 125 #120	1				
F02		192349-3	JOINT 25	1				
F05		195134-3	FILTER SET	1				
F06		196152-4	FELT PAD SET	1				
F25		197468-0	PAD 123 SET(EU)	1		A9433		

B:DBO180Z(N)	Interchange O : Yes X : No < : the new part can be substituted for the current. > : the current part can be substituted for the new. S : interchangeable as a set.
--------------	---