



TH	THAILAND
----	----------

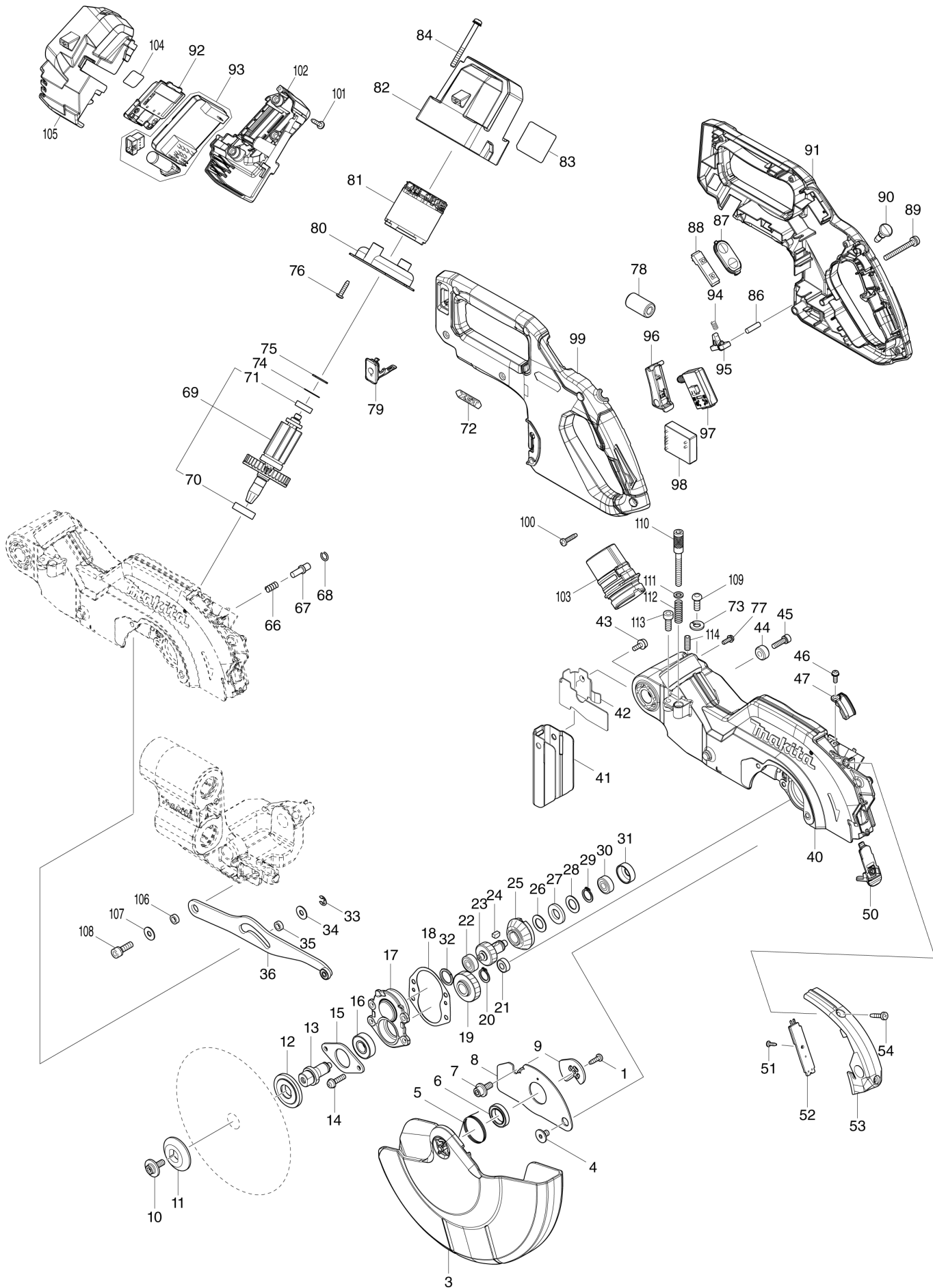
Diagram / Parts List

LS002G

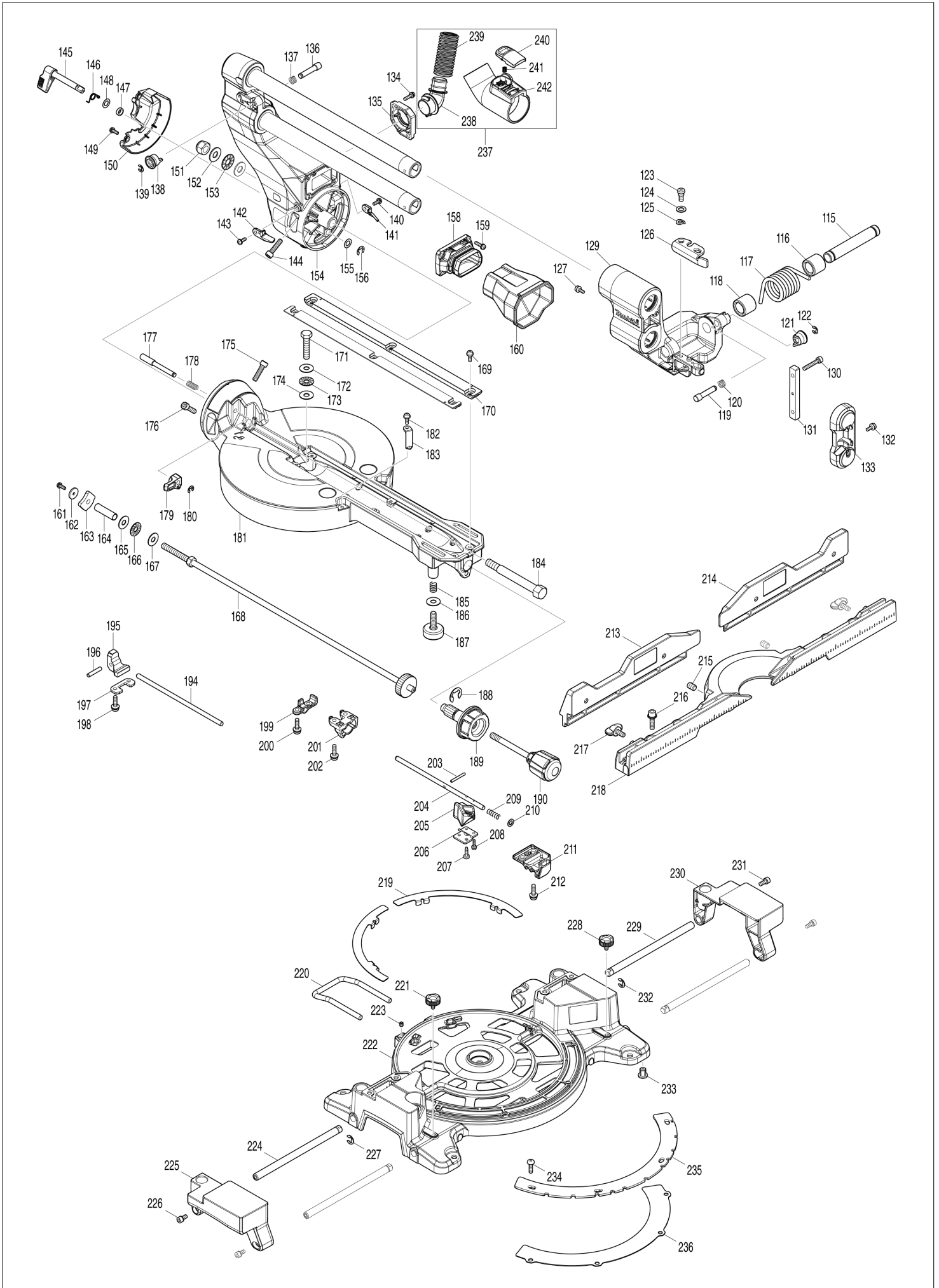
216MM DC SLIDE CPD. MITER SAW



(TH) LS002G / 216MM DC SLIDE CPD. MITER SAW



(TH) LS002G / 216MM DC SLIDE CPD. MITER SAW



TH	THAILAND
----	----------

LS002G / 216MM DC SLIDE CPD. MITER SAW

Item	Sub	Parts No.	Parts Description	Qty	I/C	E/C No.	Close No.	Remark
001		266192-7	TAPPING SCREW 4X14	1				
003		412933-1	SAFETY COVER	1			DE157	
003-1		412933-1	SAFETY COVER	1	O	DE157		
004		265985-9	HEX. SOCKET HEAD BOLT M6	1				
005		232311-7	TORSION SPRING 30	1				
006		210150-5	BALL BEARING 6803DDW	1				
007		266732-1	HEX. SOCKET HEAD BOLT M6X16	1				
008		347731-3	CENTER COVER	1				
009		347059-9	CENTER PLATE	1				
010		266733-9	HEX. S.F.H. BOLT M6X16	1				
011		224275-9	OUTER FLANGE 40	1				
012		224614-3	INNER FLANGE 40	1				
013		327697-3	SPINDLE	1				
014		911233-1	PAN HEAD SCREW M5X20	4				
015		285043-5	BEARING RETAINER 52	1				
016		211131-2	BALL BEARING 6001DDW	1				
017		312A44-7	BEARING BOX	1				
018		422652-1	GASKET	1				
019		227838-0	HELICAL GEAR 43	1				
020		961052-5	RETAINING RING (EXT) S-12	1				
021		210006-2	BALL BEARING 696ZZ	1				
022		211021-9	BALL BEARING 607LLB	1				
023		227837-2	HELICAL GEAR 30	1				
024		254011-9	WOODRUFF KEY 4	1				
025		227836-4	SPIRAL BEVEL GEAR 33	1				
026		253744-3	FLAT WASHER 12	1				
027		261104-5	RUBBER WASHER 12	1				
028		253744-3	FLAT WASHER 12	1				
029		961052-5	RETAINING RING (EXT) S-12	1				
030		211021-9	BALL BEARING 607LLB	1				
031		424605-6	RUBBER RING 19	1				
032		261153-2	URETHAN WASHER 15	1				
033		961018-5	STOP RING E-5	1				
034		253804-1	FLAT WASHER 6	1				
035		257163-5	RING 6	1				
036		140W98-4	LINK PLATE COMPLETE	1				
040		140W84-5	BLADE CASE COMPLETE	1				
	C10	263002-9	RUBBER PIN 4	3				
	C20	422724-2	CUSHION	1				
	C30	322316-6	LINK SHAFT	1				
041		422651-3	GUARD	1				
042		345438-5	GUARD PLATE	1				
043		911119-9	PAN HEAD SCREW M4X12	1				
044		257785-1	SLEEVE 6	1				
045		922226-3	HEX. SOCKET HEAD BOLT M5X18	1				
046		911118-1	PAN HEAD SCREW M4X12	1				
047		458075-7	LEAD COVER	1				
050		140X03-7	LENS COMPLETE	1				
051		266421-8	TAPPING SCREW 3X10	1				
052		620E07-6	LED CIRCUIT	1				
053		141A59-5	LED COVER COMPLETE	1				
	C10	8024V4-4	CAUTION LABEL	1				
	C20	931102-0	HEX. NUT M4	1				
054		266034-5	TAPPING SCREW CT 4X16	2				
066		231240-1	COMPRESSION SPRING 7	1				
067		256633-1	PIN 6	1				
068		231928-3	RING SPRING 8	1				
069		519649-0	ROTOR ASS'Y	1				
	D10		INC. 70,71					
070		211131-2	BALL BEARING 6001DDW	1				
071		210017-7	BALL BEARING 607DDW	1				
072		8024V5-2	XGT LOGO LABEL	1				
073		942151-2	SPRING WASHER 6	1				
074		253842-3	FLAT WASHER 14	1				
075		261153-2	URETHAN WASHER 15	1				

A:LS002GZ(N)

Interchange
O : Yes
X : No
< : the new part can be substituted for the current.
> : the current part can be substituted for the new.
S : Interchangeable as a set.

TH	THAILAND
-----------	-----------------

LS002G / 216MM DC SLIDE CPD. MITER SAW

Item	Sub	Parts No.	Parts Description	Qty	I/C	E/C No.	Close No.	Remark
076		265995-6	TAPPING SCREW 4X18	2				
077		911118-1	PAN HEAD SCREW M4X12	1				
079		140F99-0	CAP COMPLETE	1				
	C10	213218-6	O RING 16	1			DA223	
	C11	213A05-9	O-RING16	1	O	DA223		
	C20	818H07-8	CAP LABEL	1				
080		459933-0	BAFFLE PLATE	1				
081		629A26-5	STATOR	1				
082		412926-8	MOTOR HOUSING	1				
083		858A05-8	LS002G NAME PLATE	1				
084		911278-9	PAN HEAD SCREW M5X55	4				
086		256123-4	PIN 5	1				
087		140X02-9	SWITCH PLATE COMPLETE	1				
	C10	8024V3-6	SWITCH LABEL	1				
088		631973-2	SWITCH UNIT	1				
089		911268-2	PAN HEAD SCREW M5X45	1				
090		417113-4	SWITCH BUTTON	1				
091		183R96-5	HANDLE SET	1				
	D10		INC. 99					
092		632P64-8	TERMINAL UNIT	1				
093		620E06-8	CONTROLLER	1				
094		231026-3	COMPRESSION SPRING 4	1				
095		416533-9	LOCK OFF LEVER	1				
096		459966-5	SWITCH LEVER	1				
097		651083-9	SWITCH C3XA-1PSPM	1				
098		620E08-4	POWER SUPPLY CIRCUIT	1				
099		183R96-5	HANDLE SET	1				
	D10		INC. 91					
100		265995-6	TAPPING SCREW 4X18	6				
101		265995-6	TAPPING SCREW 4X18	3				
102		183R92-3	BATTERY HOUSING SET	1				
	C10	263005-3	RUBBER PIN 6	2				
	D10		INC. 105					
103		459250-8	DUST NOZZLE	1				
104		858A11-3	LS002G SERIAL NO. LABEL	1				
105		183R92-3	BATTERY HOUSING SET	1				
	C10	263005-3	RUBBER PIN 6	2				
	D10		INC. 102					
106		257163-5	RING 6	1				
107		253804-1	FLAT WASHER 6	1				
108		922331-6	HEX. SOCKET HEAD BOLT M6X20	1				
109		265484-1	H.S.BUTTON HEAD SCREW M6X17	1				
110		265B58-0	HEX SOCKET HEAD BOLT M6X45	1				
111		941152-7	FLAT WASHER 6	1				
112		233343-7	COMPRESSION SPRING 7	1				
113		266757-5	HEX. SOCKET HEAD BOLT M6X16	1				
114		266321-2	H.S.SET SCREW(FLAT POINT)M6X16	1				
115		327710-7	ROD 16	1				
116		416905-8	SLEEVE 17-23	1				
117		231685-3	TORSION SPRING 29	1			DC677	
117-1		232772-1	TORSION SPRING 29	1	<	DC677		
118		416905-8	SLEEVE 17-23	1				
119		327702-6	LOCK PIN 7-9	1				
120		234316-3	COMPRESSION SPRING 7	1				
121		271428-1	KNOB 20	1				
122		961018-5	STOP RING E-5	1				
123		251267-5	+ PAN HEAD SCREW M6	1				
124		253215-0	FLAT WASHER 8	1				
125		253948-7	WAVE WASHER 8	1				
126		344643-1	STOPPER ARM	1				
127		911119-9	PAN HEAD SCREW M4X12	2				
129		140W83-7	FRONT ARM COMPLETE	1				
	C10	263005-3	RUBBER PIN 6	2				
130		922251-4	HEX. SOCKET HEAD BOLT M5X30	2				
131		327705-0	SQUARE ROD	1				

A:LS002GZ(N)

Interchange
O : Yes
X : No
< : the new part can be substituted for the current.
> : the current part can be substituted for the new.
S : Interchangeable as a set.

TH	THAILAND
----	----------

LS002G / 216MM DC SLIDE CPD. MITER SAW

Item	Sub	Parts No.	Parts Description	Qty	I/C	E/C No.	Close No.	Remark
132		911118-1	PAN HEAD SCREW M4X12	1				
133		412938-1	RAIL HOLDER	1				
134		911128-8	P.H.SCREW M4X16 WITH WR	2				
135		412947-0	INLET	1				
136		327702-6	LOCK PIN 7-9	1				
137		234316-3	COMPRESSION SPRING 7	1				
138		271428-1	KNOB 20	1				
139		961018-5	STOP RING E-5	1				
140		911118-1	PAN HEAD SCREW M4X12	1				
141		412943-8	INDICATION PLATE R	1				
142		412942-0	INDICATION PLATE L	1				
143		911118-1	PAN HEAD SCREW M4X12	1				
144		251582-7	HEX SOCKET HEAD BOLT M6X25	1				
145		271466-3	LEVER 30	1				
146		232651-3	TORSION SPRING 8	1				
147		257848-3	RING 8	1				
148		253215-0	FLAT WASHER 8	1				
149		911118-1	PAN HEAD SCREW M4X12	2				
150		412934-9	ARM COVER	1			D9832	
150-1		141G28-2	ARM COVER COMPLETE	1	S	D9832		
	C10	8024V1-0	INDICATION LABEL	1	S	D9832		
151		252130-5	HEX. LOCK NUT M10-17	1				
152		253024-7	FLAT WASHER 10	2				
153		216413-7	THRUST NEEDLE CAGE 1024	1				
154		140W82-9	ARM COMPLETE	1			D9832	
	C10	8024V1-0	INDICATION LABEL	1			D9832	
154-1		141F27-8	ARM COMPLETE	1	S	D9832		
155		253215-0	FLAT WASHER 8	1				
156		961013-5	STOP RING E-7	1				
158		412944-6	DUST GUIDE HOLDER	1				
159		911128-8	P.H.SCREW M4X16 WITH WR	4				
160		422648-2	DUST GUIDE	1				
161		911118-1	PAN HEAD SCREW M4X12	1				
162		253400-5	FLAT WASHER 4	1				
163		347759-1	LOCK PLATE	1				
164		257849-1	SLEEVE 8	1				
165		253731-2	FLAT WASHER 8	1				
166		216415-3	THRUST NEEDLE CAGE 821	1				
167		253731-2	FLAT WASHER 8	1				
168		162942-7	LOCK SHAFT COMPLETE	1				
169		911119-9	PAN HEAD SCREW M4X12	6				
170		412940-4	KERF BOARD	2			DC677	
170-1		413C45-1	KERF BOARD	2	O	DC677		
171		265442-7	HEX. BOLT M8X40	1				
172		253731-2	FLAT WASHER 8	1				
173		216415-3	THRUST NEEDLE CAGE 821	1				
174		253731-2	FLAT WASHER 8	1				
175		251582-7	HEX SOCKET HEAD BOLT M6X25	1				
176		251582-7	HEX SOCKET HEAD BOLT M6X25	1				
177		327704-2	STOPPER ROD	1				
178		234122-6	COMPRESSION SPRING 6	1				
179		271465-5	LEVER 24	1				
180		961018-5	STOP RING E-5	1				
181		140W81-1	TURN BASE COMPLETE	1				
	C10	8024U7-1	BEVEL SCALE LABEL	1				
	C20	8024U8-9	INDICATION LABEL	1				
	C30	812X85-6	CAUTION LABEL	1				
	C40	813L22-1	CAUTION LABEL	2				
182		911119-9	PAN HEAD SCREW M4X12	1				
183		459928-3	INDICATION PLATE	1				
184		327698-1	CENTER SHAFT	1				
185		231418-6	COMPRESSION SPRING 9	1				
186		253731-2	FLAT WASHER 8	1				
187		266432-3	ADJUST BOLT M8X27	1				
188		961062-2	STOP RING E-12	1				

A:LS002GZ(N)

Interchange
O : Yes
X : No
< : the new part can be substituted for the current.
> : the current part can be substituted for the new.
S : Interchangeable as a set.

TH	THAILAND
----	----------

LS002G / 216MM DC SLIDE CPD. MITER SAW

Item	Sub	Parts No.	Parts Description	Qty	I/C	E/C No.	Close No.	Remark
189		271464-7	GRIP 46	1				
190		271463-9	GRIP 38	1				
194		327700-0	LOCK ROD 6	1				
195		313326-4	TURN STOPPER	1				
196		256186-0	PIN 5	1				
197		347601-6	STOPPER HOLDER	1				
198		911233-1	PAN HEAD SCREW M5X20	2				
199		312A46-3	PIN HOLDER	1				
200		911233-1	PAN HEAD SCREW M5X20	2				
201		412941-2	LEAD BLOCK	1				
202		911233-1	PAN HEAD SCREW M5X20	2				
203		256267-0	PIN 3	1				
204		327701-8	LOCK PIN 6	1				
205		412939-9	LEVER 38	1				
206		347760-6	LEVER PLATE	1				
207		266192-7	TAPPING SCREW 4X14	1				
208		911013-5	PAN HEAD SCREW M3X10	2				
209		233201-7	COMPRESSION SPRING 6	1				
210		941152-7	FLAT WASHER 6	1				
211		312A45-5	GEAR COVER	1				
212		911233-1	PAN HEAD SCREW M5X20	2				
213		140W85-3	UPPER FENCE L COMPLETE	1				
	C10	810503-4	CAUTION LABEL	1				
214		140W86-1	UPPER FENCE R COMPLETE	1				
	C10	810503-4	CAUTION LABEL	1				
215		266089-0	H.S.SET SCREW(FLAT POINT)M8X12	2			DB127	
215-1		265C19-6	H.S.SET SCREW(FLAT POINT)M8X12	2	<	DB127		
216		922344-7	H.S.H.BOLT M6X25 WITH WG	4				
217		265701-9	THUMB SCREW M6X14	2				
218		312A38-2	GUIDE FENCE	1				
219		347758-3	SLIDE PLATE	2				
220		327706-8	BASE SUPPORTER	1				
221		265785-7	THUMB SCREW M5X10	1				
222		140W80-3	BASE COMPLETE	1				
	C10	810486-8	CAUTION LABEL	1				
223		266264-8	H.S.SET SCREW(FLAT POINT)M5X6	1				
224		327703-4	ROD 10	2				
225		312A42-1	SUB BASE L	1				
226		922211-6	H.S.H.BOLT M5X12 WITH W	2				
227		961013-5	STOP RING E-7	1				
228		265785-7	THUMB SCREW M5X10	1				
229		327703-4	ROD 10	2				
230		312A43-9	SUB BASE R	1				
231		922211-6	H.S.H.BOLT M5X12 WITH W	2				
232		961013-5	STOP RING E-7	1				
233		286044-6	CAP 13	4				
234		251546-1	+ PAN HEAD SCREW M5	4				
235		347756-7	MITER SCALE PLATE	1				
236		347757-5	MITER LOCK PLATE	1				
237		127692-1	DUST NOZZLE ASSEMBLY	1				
	D10		INC. 238-242					
238		412945-4	HOSE CONNECTOR	1				
239		245062-3	HOSE 20-0.4	1				
240		458939-5	BUTTON A	1				
241		232485-4	COMPRESSION SPRING 5	1				
242		412946-2	HOSE JOINT	1				
A01		127693-9	WISE ASSEMBLY	1				
	C10	312A56-0	WISE ARM	1				
	C20	265785-7	THUMB SCREW M5X10	1				
	C30	327707-6	WISE ROD	1				
	C40	265B61-1	THUMB SCREW M10X70	1				
	C50	253804-1	FLAT WASHER 6	1				
	C60	343651-9	WISE PLATE	1				
	C70	251370-2	+ PAN HEAD SCREW M5	1				
A02		127512-9	DUST BAG ASSEMBLY	1				

A:LS002GZ(N)

Interchange
 O : Yes
 X : No
 < : the new part can be substituted for the current.
 > : the current part can be substituted for the new.
 S : Interchangeable as a set.

