



TH	THAILAND
----	----------

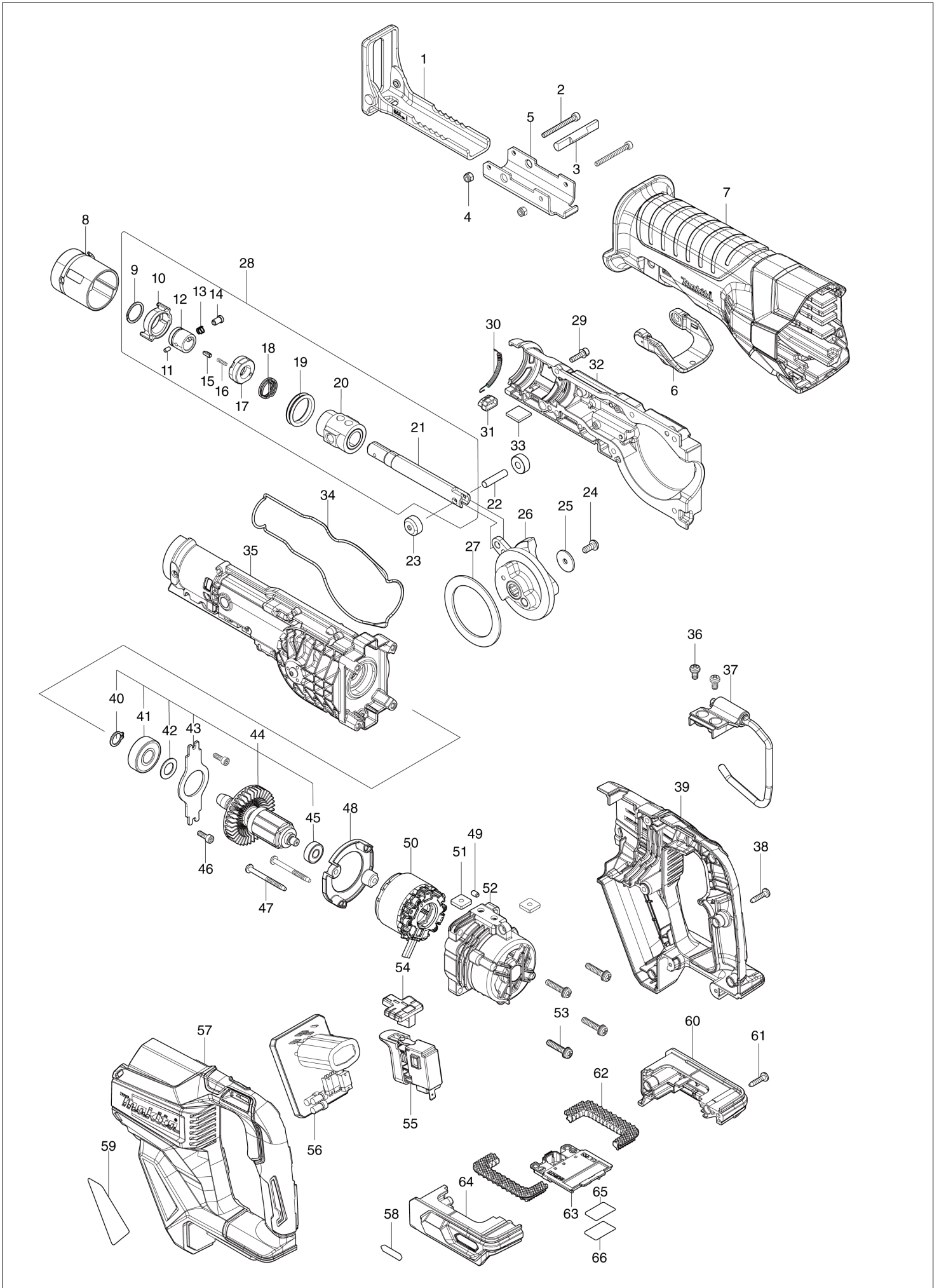
Diagram / Parts List

JR001G

CORDLESS RECIPRO SAW



(TH) JR001G / CORDLESS RECIPRO SAW



TH	THAILAND
----	----------

JR001G / CORDLESS RECIPRO SAW

Item	Sub	Parts No.	Parts Description	Qty	I/C	E/C No.	Close No.	Remark
001		162739-4	SHOE	1				
002		265A78-8	HEX SOCKET HEAD BOLT M4X40	2				
003		326599-0	LOCK PIN	1				
004		252126-6	HEX. LOCK NUT M4-7	2				
005		347637-5	SHOE GUIDE PLATE	1				
006		459924-1	LOCK LEVER	1				
007		422542-8	INSULATION COVER	1				
008		459923-3	RELEASE DRUM	1				
009		257430-8	RETAINING RING(EXT)18	1				
010		310848-5	DRIVING SLEEVE	1				
011		268094-3	PIN 3	1				
012		327043-0	GUIDE SLEEVE	1			D3105	
012-1		327650-9	GUIDE SLEEVE	1	S	D3105		
013		234381-2	COMPRESSION SPRING 6	1				
014		256569-4	SHOULDER PIN 5	1				
015		310912-2	PUSH PIN	1				
016		232472-3	COMPRESSION SPRING 2	1				
017		458968-8	CONNECTING SLEEVE	1				
018		233594-2	TORSION SPRING 17	1				
019		422309-4	RUBBER RING 25	1				
020		140P52-6	SLIDER GUIDE COMPLETE	1				
	C10	213174-0	X RING 14	1				
021		327154-1	SLIDER	1			D3105	
021-1		327652-5	SLIDER	1	S	D3105		
022		256945-2	PIN 6	1				
023		310991-0	ROLLER	2				
024		265374-8	H.S. BUTTON HEAD SCREW M5X12	1				
025		253462-3	FLAT WASHER 5	1				
026		140P53-4	GEAR COMPLETE	1				
027		253463-1	FLAT WASHER 51	1				
028		136224-3	SLIDER ASS'Y	1				
	D10		INC. 9-21					
029		922128-3	HEX. SOCKET HEAD BOLT M4X16	6				
030		232583-4	TENSION SPRING 3	1				
031		620C32-5	LED CIRCUIT	1				
032		140P51-8	GEAR HOUSING R COMPLETE	1			D4334	
032-1		140W37-4	GEAR HOUSING R COMPLETE	1	S	D4334	DC037	
032-2		141G35-5	GEAR HOUSING R COMPLETE	1	S	DC037		
033		424858-7	FELT 16X16	1				
034		422541-0	SEAL RING	1				
035		140P50-0	GEAR HOUSING L COMPLETE	1			D4334	
035-1		140W36-6	GEAR HOUSING L COMPLETE	1	S	D4334	DC037	
035-2		141G34-7	GEAR HOUSING L COMPLETE	1	S	DC037		
036		911206-4	PAN HEAD SCREW M5X10	2				
037		127468-6	HOOK ASSEMBLY	1				
038		266326-2	TAPPING SCREW 4X18	6				
039		183N57-1	HANDLE SET	1				
	D10		INC. 57					
040		961052-5	RETAINING RING (EXT) S-12	1				
041		211129-9	BALL BEARING 6201DDW	1				
042		253744-3	FLAT WASHER 12	1				
043		285038-8	BEARING RETAINER 80	1				
044		510447-5	ROTOR ASS'Y	1				
	D10		INC. 40-43,45					
045		210062-2	BALL BEARING 607ZZ	1				
046		922117-8	HEX. SOCKET HEAD BOLT M4X12	2				
047		266425-0	TAPPING SCREW 4X45	2				
048		456178-1	BAFFLE PLATE	1				
049		263002-9	RUBBER PIN 4	1				
050		629470-0	STATOR	1				
051		264002-2	SQUARE NUT M5	2				
052		412476-3	MOTOR HOUSING	1				
053		911243-8	PAN HEAD SCREW M5X25	4				
054		456177-3	CHANGE BUTTON	1				
055		651439-6	SWITCH C3JR-4B-2	1				

A:JR001GZ(N)
B:JR001GD201(H)
C:JR001GM201(H)

Interchange
O : Yes
X : No
< : the new part can be substituted for the current.
> : the current part can be substituted for the new.
S : Interchangeable as a set.

