



|    |          |
|----|----------|
| TH | THAILAND |
|----|----------|

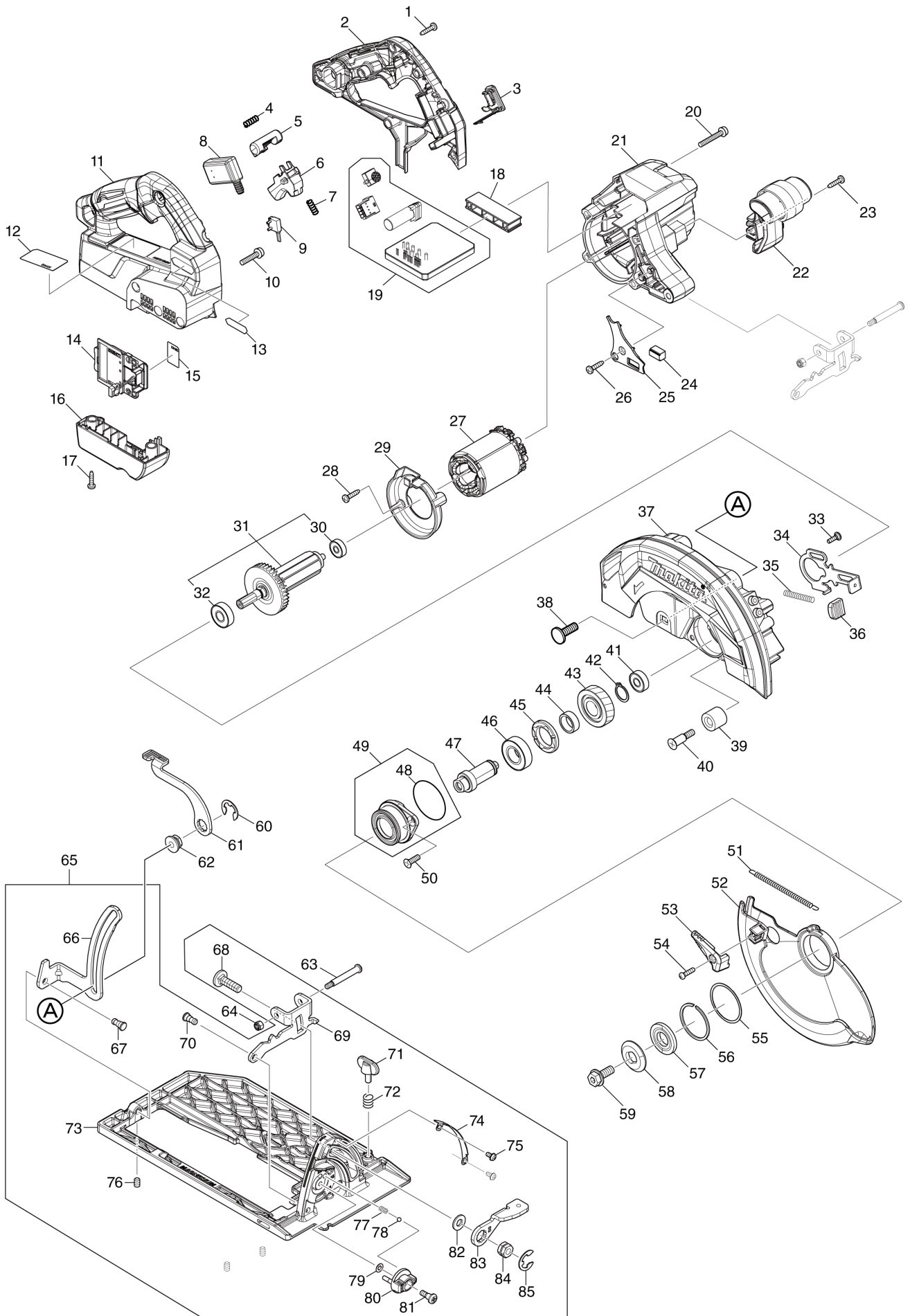
# Diagram / Parts List

**HS003G**

**185MM CORDLESS CIRCULAR SAW**



(TH) HS003G / 185MM CORDLESS CIRCULAR SAW



|    |          |
|----|----------|
| TH | THAILAND |
|----|----------|

### HS003G / 185MM CORDLESS CIRCULAR SAW

| Item  | Sub | Parts No. | Parts Description             | Qty | I/C | E/C No. | Close No. | Remark |
|-------|-----|-----------|-------------------------------|-----|-----|---------|-----------|--------|
| 001   |     | 266326-2  | TAPPING SCREW 4X18            | 6   |     |         |           |        |
| 002   |     | 183R15-1  | HANDLE SET                    | 1   |     |         |           |        |
|       | C10 | 263005-3  | RUBBER PIN 6                  | 1   |     |         |           |        |
|       | D10 |           | INC. 11                       |     |     |         |           |        |
| 003   |     | 140F99-0  | CAP COMPLETE                  | 1   |     |         |           |        |
|       | C10 | 213218-6  | O RING 16                     | 1   |     |         | DA223     |        |
|       | C11 | 213A05-9  | O-RING16                      | 1   | O   | DA223   |           |        |
|       | C20 | 818H07-8  | CAP LABEL                     | 1   |     |         |           |        |
| 004   |     | 231433-0  | COMPRESSION SPRING 4          | 1   |     |         |           |        |
| 005   |     | 419704-7  | LOCK OFF BUTTON               | 1   |     |         |           |        |
| 006   |     | 458594-3  | SWITCH LEVER                  | 1   |     |         |           |        |
| 007   |     | 231433-0  | COMPRESSION SPRING 4          | 1   |     |         |           |        |
| 008   |     | 651083-9  | SWITCH C3XA-1PSPM             | 1   |     |         |           |        |
| 009   |     | 632M92-5  | SWITCH UNIT                   | 1   |     |         |           |        |
| 010   |     | 911243-8  | PAN HEAD SCREW M5X25          | 3   |     |         |           |        |
| 011   |     | 183R15-1  | HANDLE SET                    | 1   |     |         |           |        |
|       | C10 | 263005-3  | RUBBER PIN 6                  | 1   |     |         |           |        |
|       | D10 |           | INC. 2                        |     |     |         |           |        |
| 012   |     | 857E33-4  | HS003G NAME PLATE             | 1   |     |         |           |        |
| 013   |     | 8012U4-2  | XGT LOGO LABEL                | 1   |     |         |           |        |
| 014   |     | 632P65-6  | TERMINAL UNIT                 | 1   |     |         |           |        |
| 015   |     | 857E38-4  | HS003G SERIAL NO. LABEL       | 1   |     |         |           |        |
| 016   |     | 140S46-9  | TERMINAL HOUSING COMPLETE     | 1   |     |         |           |        |
|       | C10 | 263005-3  | RUBBER PIN 6                  | 1   |     |         |           |        |
| 017   |     | 266326-2  | TAPPING SCREW 4X18            | 2   |     |         |           |        |
| 018   |     | 412480-2  | SPACER                        | 1   |     |         |           |        |
| 019   |     | 620D01-2  | CONTROLLER                    | 1   |     |         | DK258     |        |
| 019-1 |     | 620L81-6  | CONTROLLER                    | 1   | S   | DK258   |           |        |
| 020   |     | 911258-5  | PAN HEAD SCREW M5X35          | 4   |     |         |           |        |
| 021   |     | 458746-6  | MOTOR HOUSING                 | 1   |     |         |           |        |
| 022   |     | 458750-5  | FRONT GRIP                    | 1   |     |         |           |        |
| 023   |     | 266326-2  | TAPPING SCREW 4X18            | 1   |     |         |           |        |
| 024   |     | 620936-3  | LED CIRCUIT                   | 1   |     |         |           |        |
| 025   |     | 458751-3  | LIGHT COVER                   | 1   |     |         |           |        |
| 026   |     | 266326-2  | TAPPING SCREW 4X18            | 1   |     |         |           |        |
| 027   |     | 629479-2  | STATOR                        | 1   |     |         | DK258     |        |
| 027-1 |     | 629C02-1  | STATOR                        | 1   | S   | DK258   |           |        |
| 028   |     | 266326-2  | TAPPING SCREW 4X18            | 2   |     |         |           |        |
| 029   |     | 458749-0  | BAFFLE PLATE                  | 1   |     |         |           |        |
| 030   |     | 210022-4  | BALL BEARING 626DDW           | 1   |     |         |           |        |
| 031   |     | 519534-7  | ROTOR ASSY                    | 1   |     |         |           |        |
|       | D10 |           | INC. 30,32                    |     |     |         |           |        |
| 032   |     | 210059-1  | BALL BEARING 6000DDW          | 1   |     |         |           |        |
| 033   |     | 251529-1  | + PAN HEAD SCREW M4X14        | 1   |     |         |           |        |
| 034   |     | 347676-5  | SHAFT LOCK                    | 1   |     |         |           |        |
| 035   |     | 233084-5  | COMPRESSION SPRING 6          | 1   |     |         |           |        |
| 036   |     | 286039-9  | CAP                           | 1   |     |         |           |        |
| 037   |     | 140S43-5  | BLADE CASE COMPLETE           | 1   |     |         |           |        |
|       | C10 | 213434-0  | O RING 26                     | 1   |     |         |           |        |
|       | C20 | 263005-3  | RUBBER PIN 6                  | 1   |     |         |           |        |
|       | C30 | 818C46-8  | SCALE LABEL                   | 1   |     |         |           |        |
| 038   |     | 266396-1  | FLATHEAD SQUARENECKBOLT M8X24 | 1   |     |         |           |        |
| 039   |     | 262185-2  | RUBBER SLEEVE8                | 1   |     |         |           |        |
| 040   |     | 251572-0  | + COUNTERSUNK HEAD SCREW M6X3 | 1   |     |         |           |        |
| 041   |     | 210029-0  | BALL BEARING 608ZZ            | 1   |     |         |           |        |
| 042   |     | 961057-5  | RETAINING RING S-17           | 1   |     |         |           |        |
| 043   |     | 226838-7  | HELICAL GEAR 37               | 1   |     |         |           |        |
| 044   |     | 257451-0  | RING 17                       | 1   |     |         |           |        |
| 045   |     | 285809-3  | BEARING RETAINER 23-36        | 1   |     |         |           |        |
| 046   |     | 210301-0  | BALL BEARING 6003DDW          | 1   |     |         |           |        |
| 047   |     | 327192-3  | SPINDLE                       | 1   |     |         |           |        |
| 048   |     | 213565-5  | O RING 42                     | 1   |     |         |           |        |
| 049   |     | 136021-7  | BEARING BOX ASSY              | 1   |     |         |           |        |
|       | D10 |           | INC. 48                       |     |     |         |           |        |
| 050   |     | 265034-2  | + COUNTERSUNK HEAD SCREW M5X1 | 2   |     |         |           |        |

A:HS003GZ(N)

Interchange  
O : Yes  
X : No  
< : the new part can be substituted for the current.  
> : the current part can be substituted for the new.  
S : Interchangeable as a set.

