



TH	THAILAND
----	----------

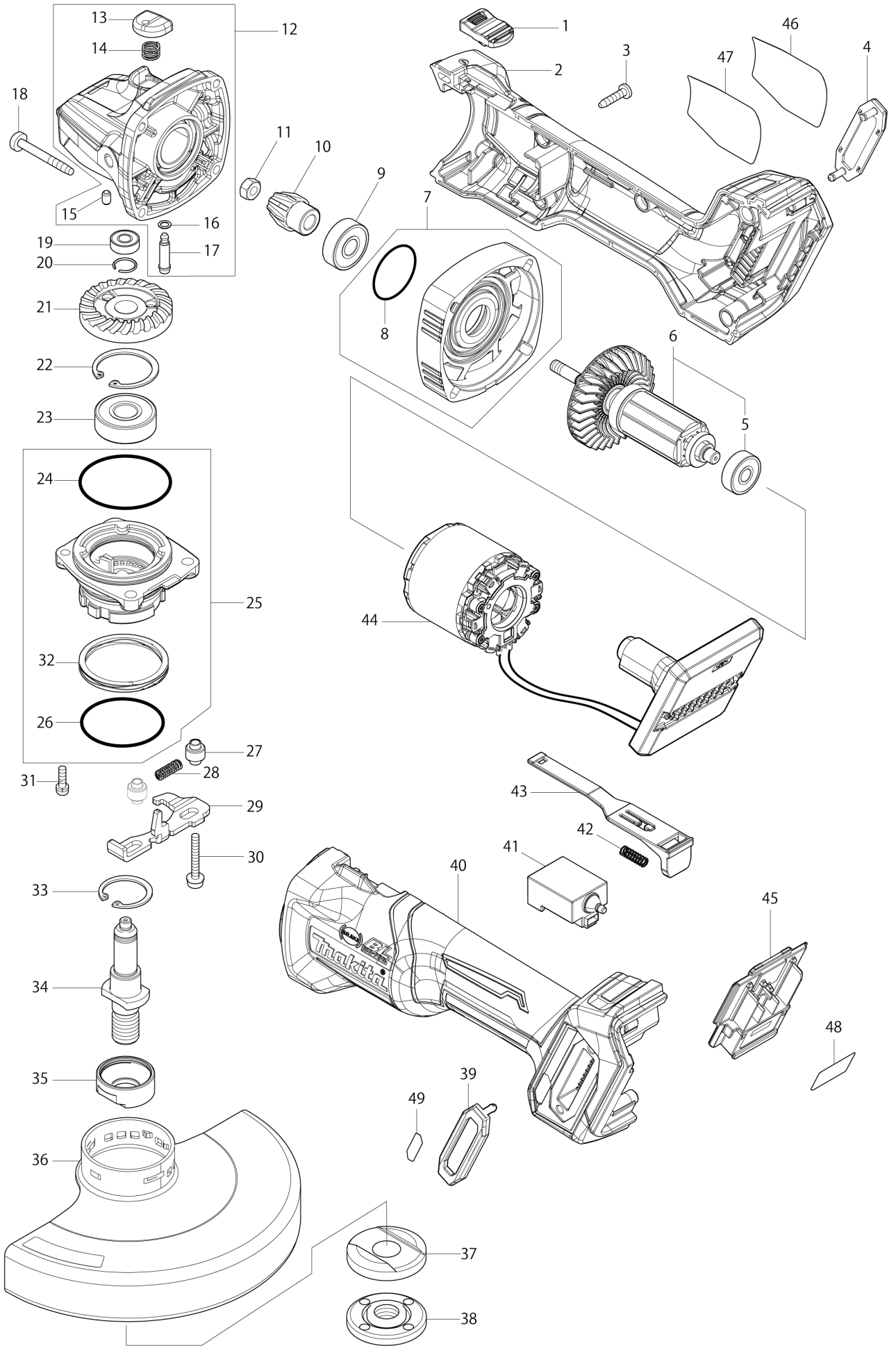
Diagram / Parts List

GA035G

150MM CORDLESS ANGLE GRINDER



(TH) GA035G / 150MM CORDLESS ANGLE GRINDER



TH	THAILAND
----	----------

GA035G / 150MM CORDLESS ANGLE GRINDER

Item	Sub	Parts No.	Parts Description	Qty	I/C	E/C No.	Close No.	Remark	
001		455447-7	SWITCH KNOB	1					
002		183N63-6	MOTOR HOUSING SET	1					
	C10	263005-3	RUBBER PIN 6	2					
	D10		INC. 40						
003		266326-2	TAPPING SCREW 4X18	5					
004		422563-0	DUST COVER	1					
005		210023-2	BALL BEARING 627DDW	1					
006		519595-7	ROTOR ASS'Y	1					
	D10		INC. 5						
007		136190-4	GEAR HOUSING COVER ASS'Y	1					
	D10		INC. 8						
008		213445-5	O-RING 26	1					
009		210042-8	BALL BEARING 629LLB	1					
010		226976-5	SPIRAL BEVEL GEAR 10	1					
011		252186-8	HEX. NUT M6	1					
012		136198-8	GEAR HOUSING ASS'Y	1					
	D10		INC. 13-17						
013		412234-7	PIN CAP	1					
014		233072-2	COMPRESSION SPRING 8	1					
015		263002-9	RUBBER PIN 4	1					
016		213960-9	O RING 5	1					
017		256546-6	SHOULDER PIN 4	1					
018		266048-4	TAPPING SCREW 4X40	4					
019		210006-2	BALL BEARING 696ZZ	1					
020		233950-6	RING SPRING 11	1					
021		226862-0	SPIRAL BEVEL GEAR 37	1					
022		962151-6	RETAINING RING R-32	1					
023		211129-9	BALL BEARING 6201DDW	1					
024		213622-9	O RING 45	1			DH534		
024-1		213622-9	O RING 45	1	O	DH534			
025		136347-7	BEARING BOX ASS'Y	1					
	D10		INC. 24,26,32						
026		213510-0	O RING 36	1					
027		327322-6	SLEEVE 4	2					
028		232490-1	COMPRESSION SPRING 4	1					
029		347803-4	LEVER	1					
030		911159-7	PAN HEAD SCREW M4X30	2					
031		911138-5	P.H.SCREW M4X20 WITH WR	2					
032		232542-8	COILED WAVE SPRING 41	1			DH534		
032-1		232542-8	COILED WAVE SPRING 41	1	O	DH534			
033		962105-3	RETAINING RING R-26	1					
034		326672-6	SPINDLE	1					
035		310514-4	LEAD FLANGE	1					
036		347776-1	WHEEL COVER 150	1					
037		224447-6	INNER FLANGE 42B	1					
038		224554-5	LOCK NUT 14-45	1					
039		422563-0	DUST COVER	1					
040		183N63-6	MOTOR HOUSING SET	1					
	C10	263005-3	RUBBER PIN 6	2					
	D10		INC. 2						
041		651445-1	SWITCH FPM-1130	1					
042		233121-5	COMPRESSION SPRING 4	1					
043		412233-9	SWITCH LEVER	1					
044		629458-0	STATOR COMPLETE	1					
045		632P65-6	TERMINAL UNIT	1					
046		8008U5-3	CLEAR LABEL	1					
047		857V40-9	GA035G NAME PLATE	1					
048		857V45-9	GA035G SERIAL NO. LABEL	1					
049		8007R2-2	XGT LOGO LABEL	1					
A01		158237-4	GRIP 36 COMPLETE	1					
A02		A-80846	DEPRESSED CENTER WHEEL 150X36	1					
A03		782423-1	LOCK NUT WRENCH 35	1					
F10		194305-9	LOCK NUT RELEASE SOCKET 35 SET	1					
F12		194514-0	VIBRATION PROOF GRIP SET	1					
A:GA035GZ(N)							Interchange O : Yes X : No < : the new part can be substituted for the current. > : the current part can be substituted for the new. S : Interchangeable as a set.		