



Cordless Angle Grinder Series
with Variable speed



40V Li-ion max

Delivers the same power as 1,000W corded grinders



AWS

BL
MOTOR



AFT

XPT

GA021G, GA022G, GA023G,
GA027G, GA028G, GA029G,

Switch on the tool



Vacuum cleaner is activated



Auto-start Wireless System

The wireless activation function enables clean and comfortable operation. By connecting a supported tool to the cleaner, you can run the cleaner automatically along with the switch operation of the tool.



about
40% UP

Cutting speed
Cutting depth: 20mm (concrete)

GA021G	140
18V Predecessor Model	100
Slow	Fast

Work amount on a full battery charge**

Battery: BL4040

about **7m**
Cutting depth: 20mm

*1 The test results depend to a great extent on the test material etc.

Accessories Dust collection wheel guard

for offset diamond wheel

for diamond wheel



Part No.	Size	Type
191F81-2	125mm	for offset diamond wheel
191G06-2	125mm	for diamond wheel



Wheel cover

for cut-off wheel



Part No.	Size
162555-4	100mm
162556-2	115mm
162557-0/140N45-1	125mm



Variable speed control dial (3,000 - 8,500 RPM)

Matches the speed to your application.

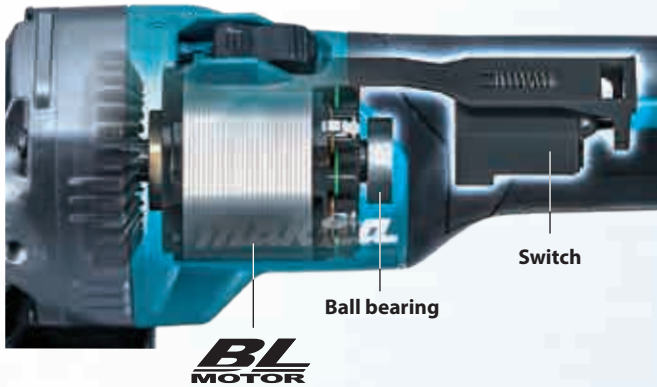


	No load speed (RPM)	Cutting / Rough grinding	Grinding / Finish grinding	Rust removal / Paint removal	Stainless steel polishing
1	3,000				✓
2	4,500			✓	✓
3	6,000		✓	✓	✓
4	7,500		✓		
5	8,500	✓			



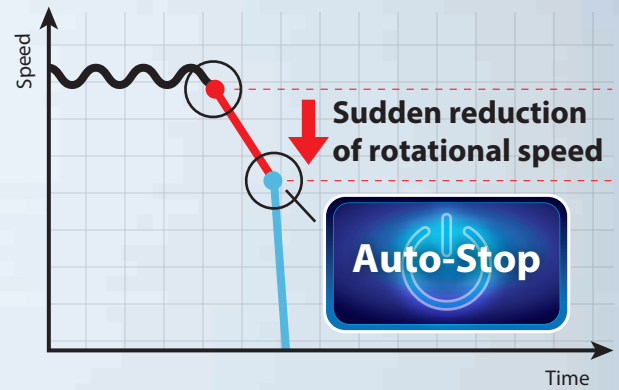
High durability

- Largest ball bearing supports the motor.
- New switch design to reduce contact weariness.



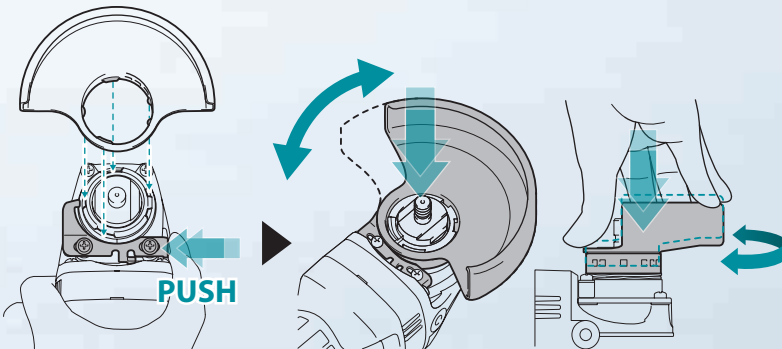
AFT Active Feedback sensing Technology

Shuts down the tool, if the rotation speed suddenly slows down.



New toolless wheel cover (Slide lever style)

allows for fast and easy angle adjustment and installation / removal of wheel cover.



Electric brake

maximizes productivity and increases safety for operator

(GA021G/GA022G/GA023G/GA027G/GA028G/GA029G)



EXTREME PROTECTION TECHNOLOGY

Extreme Protection Technology

is engineered for improved dust and water resistance



Cutting Wheel Cover Attachment for cutting work

can be attached to the wheel cover for grinding with easy assembling.



Part No.	Size
199709-0	115mm
199710-5	125mm

Vibration proof grip set



Part No. 194514-0

Slide Switch Type



	GA021G	GA022G	GA023G
Wheel Diameter	100 mm (4")	115 mm (4-1/2")	125 mm (5")
Hole Diameter	16 mm (5/8")	22.23 mm (7/8")	22.23 mm (7/8")
No Load Speed (RPM)	3,000 - 8,500	3,000 - 8,500	3,000 - 8,500
Vibration Level	5.0 m/s ²	5.5 m/s ²	6.5 m/s ²
Surface Grinding w/ Normal Side Grip:	2.5 m/s ² or less	2.5 m/s ² or less	2.5 m/s ²
Disc Sanding w/ Normal Side Grip:	81 dB(A) / 92 dB(A)	81 dB(A) / 92 dB(A)	81 dB(A) / 92 dB(A)
Sound Pressure Level / Sound Power Level	81 dB(A) / 92 dB(A)	81 dB(A) / 92 dB(A)	81 dB(A) / 92 dB(A)
Dimensions (L x W x H) with/ BL4025:	413x117x150 mm (16-1/4"x4-5/8"x5-7/8")	413x130x156 mm (16-1/4"x5-1/8"x6-1/8")	413x140x156 mm (16-1/4"x5-1/2"x6-1/8")
Dimensions (L x W x H) with/ BL4040:	425x117x162 mm (16-3/4"x4-5/8"x6-3/8")	425x130x168 mm (16-3/4"x5-1/8"x6-5/8")	425x140x168 mm (16-3/4"x5-1/2"x6-5/8")
Net weight	2.8 - 3.4 kg (6.2 - 7.5 lbs.)	3.0 - 3.6 kg (6.6 - 7.9 lbs.)	3.0 - 4.4 kg (6.6 - 9.7 lbs.)

	GA024G	GA025G	GA026G
Wheel Diameter	100 mm (4")	115 mm (4-1/2")	125 mm (5")
Hole Diameter	16 mm (5/8")	22.23 mm (7/8")	22.23 mm (7/8")
No Load Speed (RPM)	3,000 - 8,500	3,000 - 8,500	3,000 - 8,500
Vibration Level	5.0 m/s ²	5.5 m/s ²	6.5 m/s ²
Surface Grinding w/ Normal Side Grip:	2.5 m/s ² or less	2.5 m/s ² or less	2.5 m/s ²
Disc Sanding w/ Normal Side Grip:	81 dB(A) / 92 dB(A)	81 dB(A) / 92 dB(A)	81 dB(A) / 92 dB(A)
Sound Pressure Level / Sound Power Level	81 dB(A) / 92 dB(A)	81 dB(A) / 92 dB(A)	81 dB(A) / 92 dB(A)
Dimensions (L x W x H) with/ BL4025:	413x117x146 mm (16-1/4"x4-5/8"x5-3/4")	413x130x152 mm (16-1/4"x5-1/8"x6")	413x140x156 mm (16-1/4"x5-1/2"x6")
Dimensions (L x W x H) with/ BL4040:	425x117x158 mm (16-3/4"x4-5/8"x6-1/4")	425x130x165 mm (16-3/4"x5-1/8"x6-1/2")	425x140x165 mm (16-3/4"x5-1/2"x6-1/2")
Net weight	2.8 - 3.4 kg (6.2 - 7.5 lbs.)	2.9 - 3.5 kg (6.4 - 7.7 lbs.)	2.9 - 4.4 kg (6.4 - 9.7 lbs.)

Variable Speed
 Brake
 Soft Start
 Dust Collection
 Carrying Case

▲ GA021G, GA022G, GA023G

Standard equipment : Grinding Wheel, Toolless Wheel Cover, Side Grip, Lock Nut Wrench, Battery, Charger

Paddle Switch Type



	GA027G	GA028G	GA029G
Wheel Diameter	100 mm (4")	115 mm (4-1/2")	125 mm (5")
Hole Diameter	16 mm (5/8")	22.23 mm (7/8")	22.23 mm (7/8")
No Load Speed (RPM)	3,000 - 8,500	3,000 - 8,500	3,000 - 8,500
Vibration Level	4.5 m/s ²	5.0 m/s ²	6.0 m/s ²
Surface Grinding w/ Normal Side Grip:	2.5 m/s ² or less	2.5 m/s ²	3.0 m/s ²
Disc Sanding w/ Normal Side Grip:	81 dB(A) / 92 dB(A)	81 dB(A) / 92 dB(A)	82 dB(A) / 93 dB(A)
Sound Pressure Level / Sound Power Level	81 dB(A) / 92 dB(A)	81 dB(A) / 92 dB(A)	82 dB(A) / 93 dB(A)
Dimensions (L x W x H) with/ BL4025:	413x117x150 mm (16-1/4"x4-5/8"x5-7/8")	413x130x156 mm (16-1/4"x5-1/8"x6-1/8")	413x140x156 mm (16-1/4"x5-1/2"x6-1/8")
Dimensions (L x W x H) with/ BL4040:	425x117x162 mm (16-3/4"x4-5/8"x6-3/8")	425x130x168 mm (16-3/4"x5-1/8"x6-5/8")	425x140x168 mm (16-3/4"x5-1/2"x6-5/8")
Net weight	2.9 - 3.4 kg (6.4 - 7.5 lbs.)	3.0 - 3.6 kg (6.6 - 7.9 lbs.)	3.0 - 4.5 kg (6.6 - 9.9 lbs.)

	GA030G	GA031G	GA032G
Wheel Diameter	100 mm (4")	115 mm (4-1/2")	125 mm (5")
Hole Diameter	16 mm (5/8")	22.23 mm (7/8")	22.23 mm (7/8")
No Load Speed (RPM)	3,000 - 8,500	3,000 - 8,500	3,000 - 8,500
Vibration Level	4.5 m/s ²	5.0 m/s ²	6.0 m/s ²
Surface Grinding w/ Normal Side Grip:	2.5 m/s ² or less	2.5 m/s ² or less	3.0 m/s ²
Disc Sanding w/ Normal Side Grip:	81 dB(A) / 92 dB(A)	81 dB(A) / 92 dB(A)	82 dB(A) / 93 dB(A)
Sound Pressure Level / Sound Power Level	81 dB(A) / 92 dB(A)	81 dB(A) / 92 dB(A)	82 dB(A) / 93 dB(A)
Dimensions (L x W x H) with/ BL4025:	413x117x146 mm (16-1/4"x4-5/8"x5-3/4")	413x130x152 mm (16-1/4"x5-1/8"x6")	413x140x156 mm (16-1/4"x5-1/2"x6")
Dimensions (L x W x H) with/ BL4040:	425x117x158 mm (16-3/4"x4-5/8"x6-1/4")	425x130x165 mm (16-3/4"x5-1/8"x6-1/2")	425x140x165 mm (16-3/4"x5-1/2"x6-1/2")
Net weight	2.8 - 3.4 kg (6.2 - 7.5 lbs.)	2.9 - 3.6 kg (6.4 - 7.9 lbs.)	3.0 - 4.4 kg (6.6 - 9.7 lbs.)

Variable Speed
 Brake
 Soft Start
 Dust Collection
 Carrying Case

▲ GA027G, GA028G, GA029G

Standard equipment : Grinding Wheel, Toolless Wheel Cover, Side Grip, Lock Nut Wrench, Battery, Charger

Product Comparison List

Model No.			No load speed (rpm)	Switch	AWS	BL motor	AFT	Brake	XPT	Anti-restart function
100mm	115mm	125mm								
GA021G NEW	GA022G NEW	GA023G NEW	3,000 - 8,500	Slide	●	●	●	●	●	●
GA024G NEW	GA025G NEW	GA026G NEW	3,000 - 8,500	Slide	●	●	●	●	●	●
GA003G	GA004G	GA005G	8,500	Slide	●	●	●	●	●	●
GA006G	GA007G	GA008G	8,500	Slide	●	●	●	●	●	●
GA027G NEW	GA028G NEW	GA029G NEW	3,000 - 8,500	Paddle	●	●	●	●	●	●
GA030G NEW	GA031G NEW	GA032G NEW	3,000 - 8,500	Paddle	●	●	●	●	●	●
GA011G	GA012G	GA013G	8,500	Paddle	●	●	●	●	●	●
GA014G	GA015G	GA016G	8,500	Paddle	●	●	●	●	●	●

The weight may differ depending on the attachment(s), including the battery cartridge. The lightest and heaviest combination, according to EPTA-Procedure 01/2014, are shown in the table. Items of standard equipment and specifications may vary by country or area.

Makita Corporation

3-11-8 Sumiyoshi-cho, Anjo, Aichi, 446-8502 Japan

PRINTED IN JAPAN 202005