

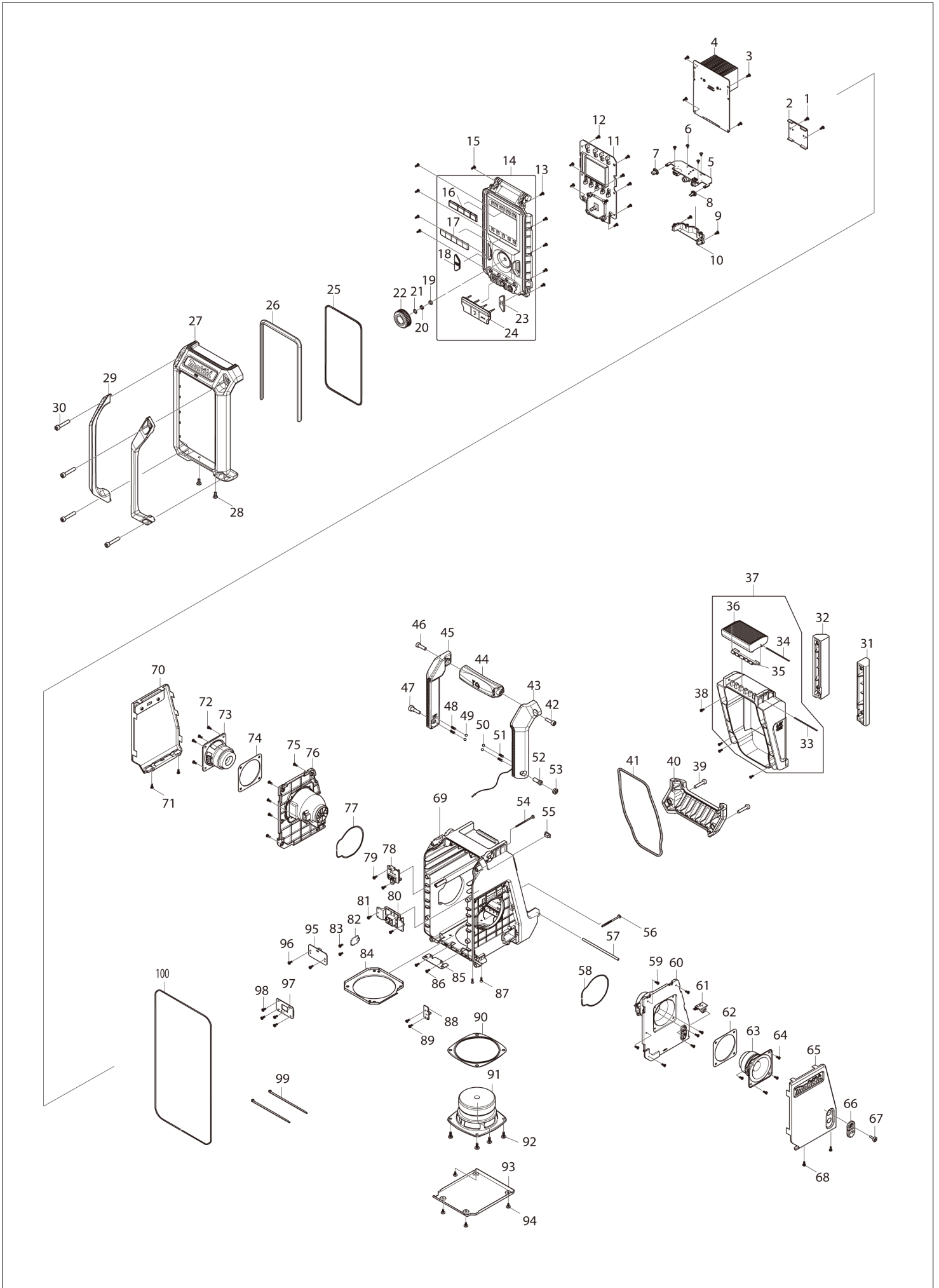


# Diagram / Parts List

## DMR115 JOB SITE RADIO



(TH) DMR115 / JOB SITE RADIO



TH	THAILAND
----	----------

### DMR115 / JOB SITE RADIO

Item	Sub	Parts No.	Parts Description	Qty	I/C	E/C No.	Close No.	Remark
001		SE00000521	SCREW PTB 3X8(ZK) 29S16308001	2				
002		SE00000683	PCB H ASS'Y	1				
003		SE00000521	SCREW PTB 3X8(ZK) 29S16308001	4				
004		SE00000774	PCB A ASS'Y	1			Y08287	
004-1		SE00000831	PCB A ASS'Y	1	O	Y08287		
005		SE00000775	PCB P ASS'Y	1				
006		SE00000685	SCREW PTB 2.6X5 ZK	4				
007		SE00000750	LED RUBBER L	1				
008		SE00000751	LED RUBBER R	1				
009		SE00000521	SCREW PTB 3X8(ZK) 29S16308001	2				
010		SE00000752	JACK PCB HOLDER	1				
011		SE00000776	PCB C ASS'Y	1				
012		SE00000521	SCREW PTB 3X8(ZK) 29S16308001	8				
013		SE00000521	SCREW PTB 3X8(ZK) 29S16308001	5				
014		SE00000777	FRONT CABINET ASS'Y(CE)	1				
	D10		INC. 16-18,23,24					
015		SE00000521	SCREW PTB 3X8(ZK) 29S16308001	5				
016		SE00000779	POWER KEY	1				
017		SE00000695	PRESET KEY	1				
018		SE00000780	AUTO TUNE	1				
019		SE00000754	EN/SW WASHER	1				
020		SE00000755	EN/SW NUT	1				
021		SE21B1110A	ROTARY KNOB RING	1				
022		SE00000698	ROTARY KNOB	1			Y08574	
022-1		SE00001045	ROTARY KNOB	1	X	Y08574		
023		SE00000697	EQ KEY	1				
024		SE00000699	JACK RUBBER COVER	1			Y08970	
024-1		SE00001243	JACK RUBBER COVER	1	<	Y08970		
025		SE00000700	FRONT CABINET PACKING	1				
026		SE00000756	FRONT LENS	1				
027		SE00000701	FRONT BUMPER	1				
028		SE09064161	SCREW M4X16	2				
029		SE00000703	FRONT BAR	2				
030		SE00000709	SCREW PTHE 6X33(CR)	4				
031		SE00000704	BATTERY BUMPER R	1				
032		SE00000705	BATTERY BUMPER L	1				
033		SE00000539	PIN D2X77 2100B300200	1				
034		SE00000533	PIN D2X88 2100B300100	1				
035		SE00000536	LOCKER HINGE 3300B30000010	1				
036		SE00000706	LOCKER COVER	1				
037		SE00000757	BATTERY COVER	1				
	D10		INC. 33-36					
038		SE00000521	SCREW PTB 3X8(ZK) 29S16308001	4				
039		SE00000709	SCREW PTHE 6X33(CR)	2				
040		SE00000710	REAR BUMPER	1				
041		SE00000711	BATTERY COVER PACKING	1				
042		SE00000176	SCREW PTHE6X20(CR)	1				
043		SE00000781	RIGHT HANDLE ASS'Y	1				
044		SE00000713	HANDLE BAR	1				
045		SE00000714	LEFT HANDLE ASS'Y	1				
046		SE00000176	SCREW PTHE6X20(CR)	1				
047		SE00000715	SCREW PTHE 6X17(CR)	1				
048		SE00000759	SPRING	2				
049		SE09994007	STEEL BALL	2				
050		SE09994007	STEEL BALL	2				
051		SE00000759	SPRING	2				
052		SE00000716	SCREW PTHE 7X16(CR)	1				
053		SE00000717	SCREW PTHE 10.8X4.5(CR)	1				
054		SE00000445	SCREW PTB 3X45(NI)	1				
055		SE00000721	UPDATE RUBBER	1				
056		SE00000445	SCREW PTB 3X45(NI)	1				
057		SE021PC030	BATTERY COVER LOCKER	1				
058		SE00000730	SPEAKER HOLDER PACKING	1				
059		SE00000521	SCREW PTB 3X8(ZK) 29S16308001	7				
060		SE00000782	SPEAKER HOLDER R	1				

A:

Interchange  
O : Yes  
X : No  
< : the new part can be substituted for the current.  
> : the current part can be substituted for the new.  
S : Interchangeable as a set.

