



TH	THAILAND
----	----------

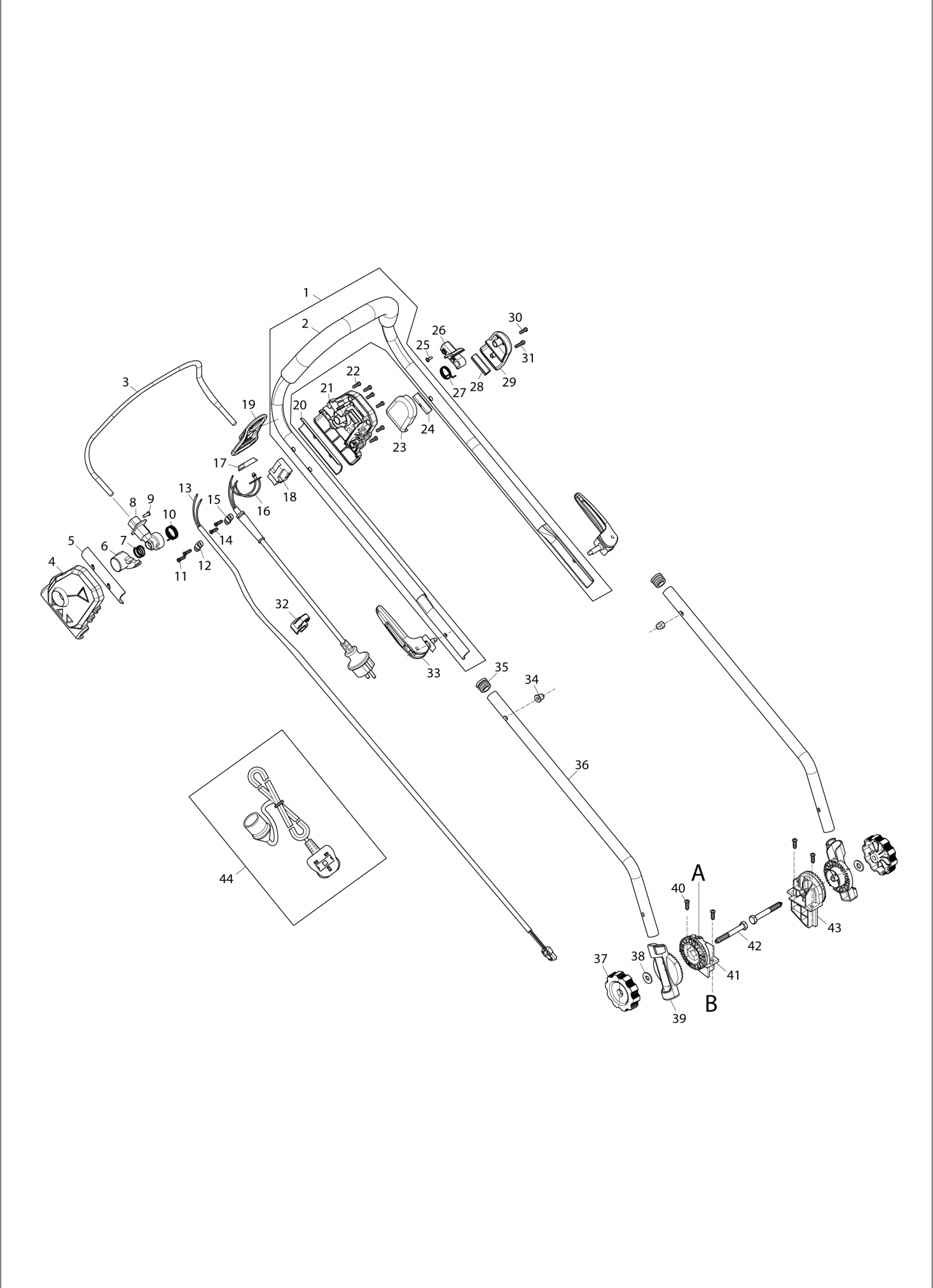
Diagram / Parts List

ELM3320

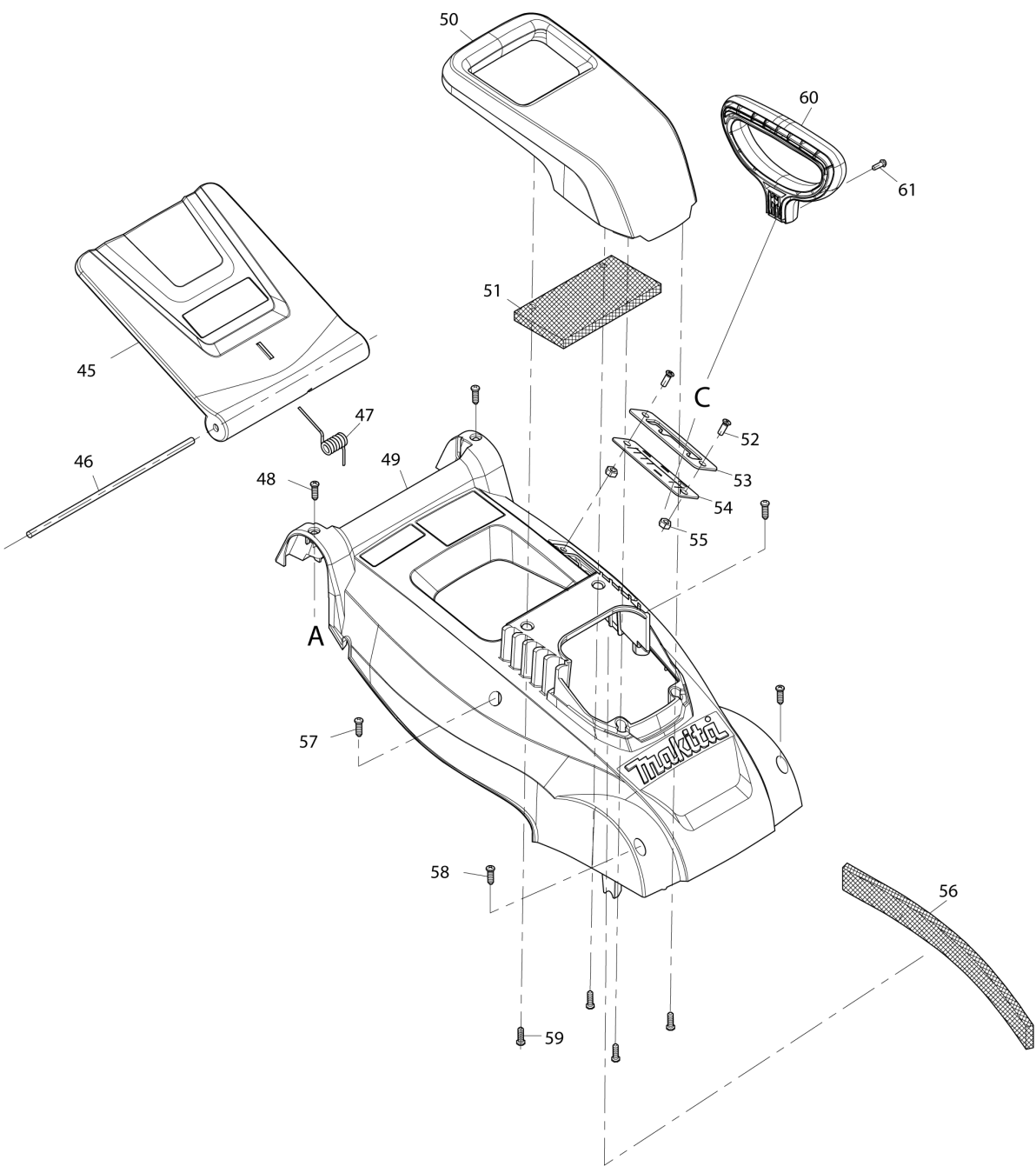
330MM ELECTRIC LAWN MOWER



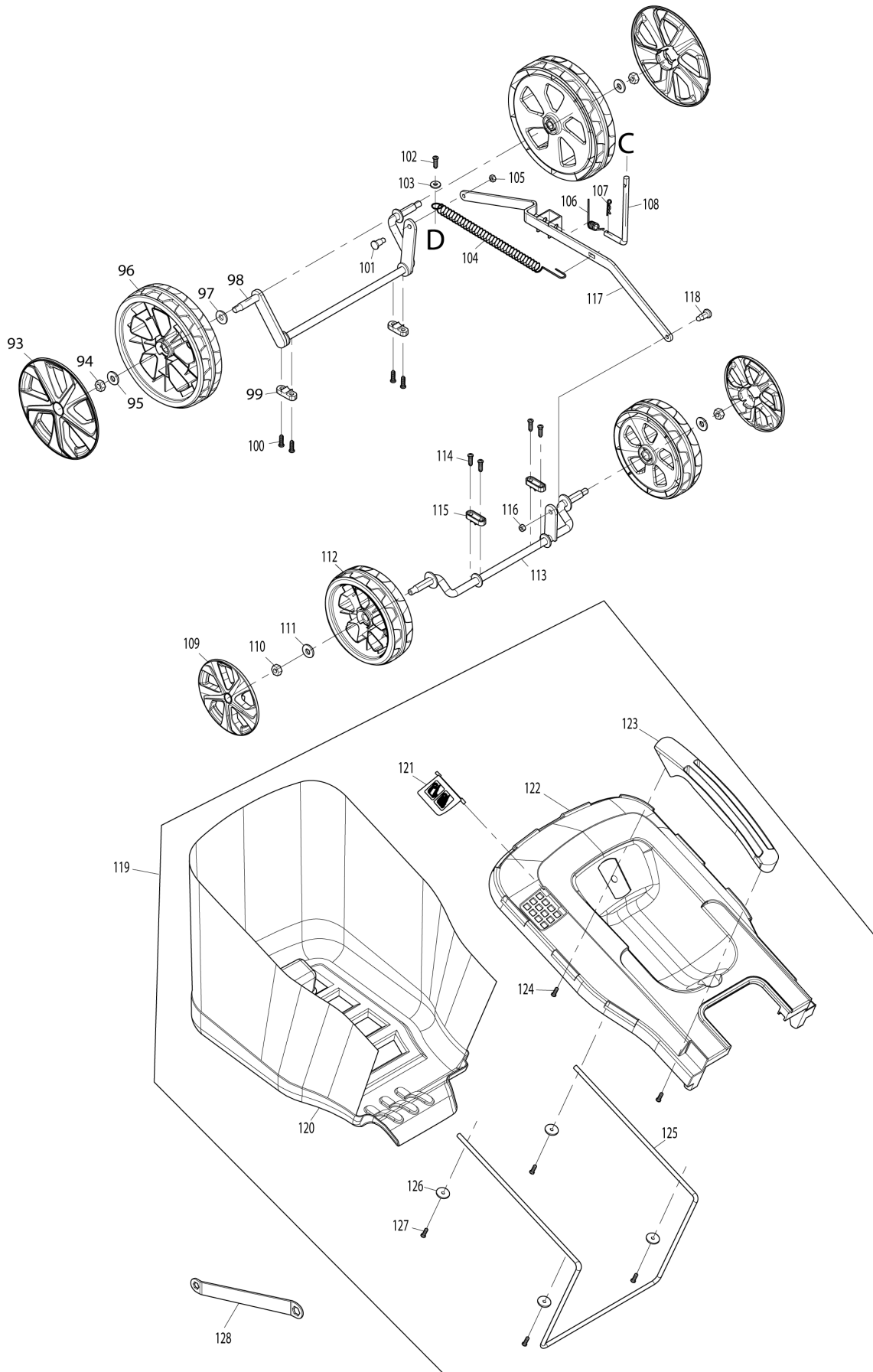
(TH) ELM3320 / 330MM ELECTRIC LAWN MOWER



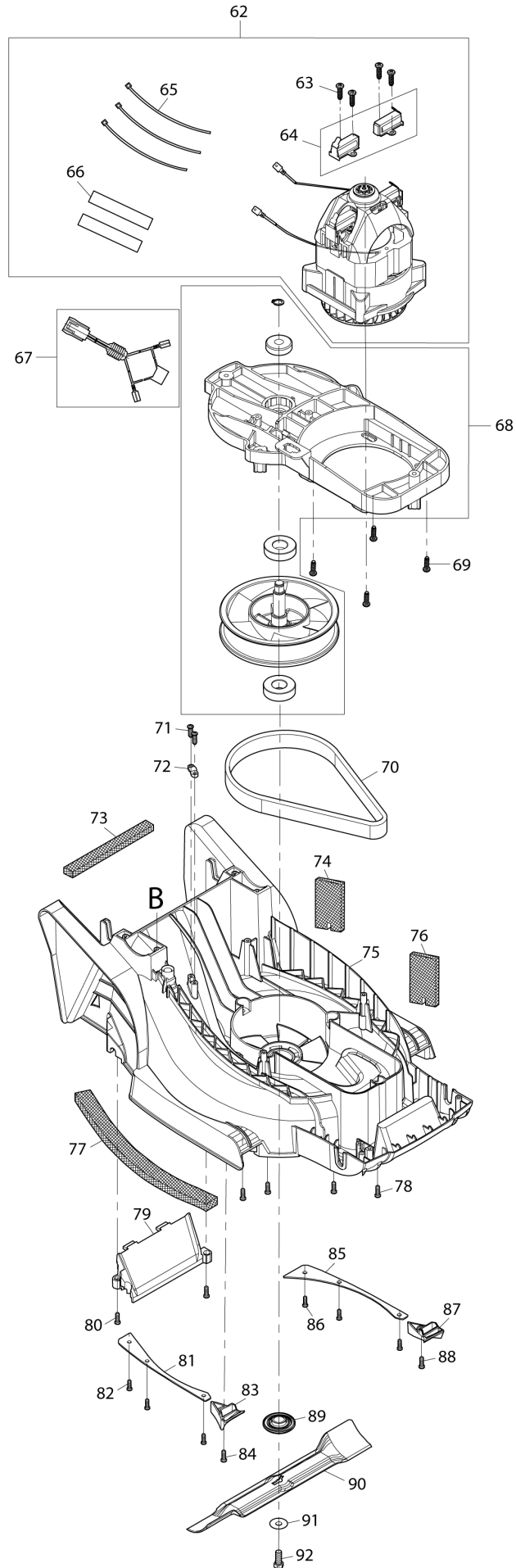
(TH) ELM3320 / 330MM ELECTRIC LAWN MOWER



(TH) ELM3320 / 330MM ELECTRIC LAWN MOWER



(TH) ELM3320 / 330MM ELECTRIC LAWN MOWER



TH	THAILAND
----	----------

ELM3320 / 330MM ELECTRIC LAWN MOWER

Item	Sub	Parts No.	Parts Description	Qty	I/C	E/C No.	Close No.	Remark
001		YA00000783	UPPER HANDLE BAR ASSY	1				
	D10		INC. 2					
002		YA00001163	SPONGE GRIP	1				
003		YA00000784	SWITCH LEVER	1				
004		YA00000765	SWITCH BOX RIGHT	1				
005		YA00000786	SWITCH BOX CLAMP SPASER	1				
006		YA00000766	SWITCH LINK BUTTON	1				
007		YA00000767	COMPRESSION SPRING 16.8	1				
008		YA00000768	SWITCH LEVER END CAP RIGHT	1				
009		652024721	SELF DRILLING SCREW 3.5X10	1				
010		YA00000769	SWITCH TORSION SPRING 21	1				
011		YA00000778	SELF TAPPING SCREW ST4X16	2				
012		YA00000780	CORD CLAMP	1				
013		YA00000771	POWER SUPPLY CORD ASSY	1				
014		YA00000778	SELF TAPPING SCREW ST4X16	2				
015		YA00000780	CORD CLAMP	1				
016		YA00000773	POWER SUPPLY CORD ASSY (EURO)	1				
017		YA00000781	INDICATOR LENZ	1				
018		YA00000772	SWITCH	1				
019		652023811	CABLE HANGER	1				
020		YA00000786	SWITCH BOX CLAMP SPASER	1				
021		YA00000782	SWITCH BOX LEFT	1				
022		YA00000778	SELF TAPPING SCREW ST4X16	6				
023		652023795	SPRING BOX RIGHT	1				
024		YA00000787	LEVER BOX CLAMP SPASER	1				
025		652024721	SELF DRILLING SCREW 3.5X10	1				
026		652023794	SWITCH LEVER END LEFT	1				
027		YA00000737	TORSION SPRING	1				
028		YA00000787	LEVER BOX CLAMP SPASER	1				
029		652023793	SPRING BOX LEFT	1				
030		YA00000778	SELF TAPPING SCREW ST4X16	1				
031		YA00000785	SELF TAPPING SCREW ST4X25	1				
032		YA00000799	CABLE CLIP	1				
033		YA00000801	TENSION LEVER ASSY	2				
034		YA00000802	HEX.FRANGE CAP NUT M6	2				
035		YA00001166	PIPE END CAP	2				
036		YA00001167	LOWER HANDLE	2				
037		YA00000803	M8 KNOB	2				
038		YA00000420	WASHER	2				
039		YA00000804	ANGLE ADJUSTMENT JOINT UPPER	2				
040		YA00000806	SELF TAPPING SCREW ST5X20	4				
041		YA00000805	ANGLE ADJUSTMENT JOINT LOWER R	1				
042		YA00000807	HEX BOLT M8X65	2				
043		YA00000808	ANGLE ADJUSTMENT JOINT LOWER L	1				
044		YA00000832	REAR FLAP BULE	1				
045		YA00000830	REAR FLAP HINGE ROD	1				
046		YA00000831	REAR FLAP TORSION SPRING 7.7	1				
047		YA00000821	SELF TAPPING SCREW ST4X16	2				
048		YA00000838	HOUSING ASSY BULE	1				
049		YA00000834	TOP COVER	1				
050		YA00000841	SPONGE CUSHION	1				
051		YA00000398	SUNK SCREW 5*14	2				
052		YA00000835	HEIGHT ADJUSTER STOP PLATE	1				
053		YA00000836	STOP PLATE RUBBER SHEET	1				
054		YA00000837	NYLON INSERT HEX LOCK NUT M5	2				
055		YA00000840	SPONGE CUSHION	1				
056		YA00000821	SELF TAPPING SCREW ST4X16	2				
057		YA00000821	SELF TAPPING SCREW ST4X16	2				
058		YA00000820	SELF TAPPING SCREW ST5X16	4				
059		YA00000848	HIGHT ADJUST GRIP	1				
060		YA00000849	PAN HEAD SCREW M4X10	1				
061		YA00001164	MOTOR ASSY (230V)	1				
	D10		INC. 63-66					
062		YA00000813	SELF TAPPING SCREW ST4X10	4				
063		YA00000814	CARBON BRUSH 2PICS SET	1				

Interchange
O : Yes
X : No
< : the new part can be substituted for the current.
> : the current part can be substituted for the new.
S : Interchangeable as a set.

TH	THAILAND
----	----------

ELM3320 / 330MM ELECTRIC LAWN MOWER

Item	Sub	Parts No.	Parts Description	Qty	I/C	E/C No.	Close No.	Remark
065		YA00001174	CABLE TIE	3				
066		YA00001173	HEAT SHRINKABLE TUBE	2				
067		YA00001172	LEAD WIRE SET	1				
068		YA00001169	MOTOR FLAME & PULLEY ASSY	1				
069		YA00000806	SELF TAPPING SCREW ST5X20	4				
070		YA00001168	POLY LIBBED BELT	1				
071		YA00000821	SELF TAPPING SCREW ST4X16	2				
072		YA00000780	CORD CLAMP	1				
073		YA00000857	SPONGE CUSHION	1				
074		YA00000819	SPONGE CUSHION	1				
075		YA00000818	DECK	1				
076		YA00000819	SPONGE CUSHION	1				
077		YA00000841	SPONGE CUSHION	1				
078		YA00000806	SELF TAPPING SCREW ST5X20	4				
079		YA00000822	GRASS INTAKE UNDER PLATE	1				
080		YA00000820	SELF TAPPING SCREW ST5X16	2				
081		YA00000823	UNDER BRACE RIGHT	1				
082		YA00000820	SELF TAPPING SCREW ST5X16	3				
083		YA00000824	AIR INTAKE BOARD RIGHT	1				
084		YA00000820	SELF TAPPING SCREW ST5X16	1				
085		YA00000846	UNDER BRACE LEFT	1				
086		YA00000820	SELF TAPPING SCREW ST5X16	3				
087		YA00000847	AIR INTAKE BOARD LEFT	1				
088		YA00000820	SELF TAPPING SCREW ST5X16	1				
089		YA00000825	INNER FLANGE 45	1				
090		YA00000731	BLADE 33	1			Y08289	
090-1		YA00000745	BLADE 330 SET	1	O	Y08289		
091		YA00000826	CLAMP WASHER 8	1				
092		YA00000827	HEX. BOLT M8X25	1				
093		YA00000809	WHEEL CAP 6 INCH	2				
094		652023843	NYLON INSERT HEX. LOCK NUT M8	2				
095		YA00000420	WASHER	2				
096		YA00000810	WHEEL 7INCH	2				
097		YA00000856	SPEASER WASHER 10	1				
098		YA00000812	REAR AXLE	1				
099		YA00000811	AXLE RETAINER	2				
100		YA00000820	SELF TAPPING SCREW ST5X16	4				
101		YA00000843	STEPPED HEX BOLT M6X16	1				
102		YA00000820	SELF TAPPING SCREW ST5X16	1				
103		YA00000845	WASHER 5	1				
104		YA00000844	TENSION SPRING 11	1				
105		YA00000627	SELF-LOCKING NUTS M6	1				
106		YA00000852	TORSION SPRING 8	1				
107		YA00000851	R PIN 7	1				
108		YA00000850	HIGHT ADJUST LEVER	1				
109		YA00000853	WHEEL CAP 4.5 INCH	2				
110		652023843	NYLON INSERT HEX. LOCK NUT M8	2				
111		YA00000420	WASHER	2				
112		YA00000854	WHEEL 5.5INCH	2				
113		YA00000855	FRONT AXLE	1				
114		YA00000820	SELF TAPPING SCREW ST5X16	4				
115		YA00000811	AXLE RETAINER	2				
116		YA00000627	SELF-LOCKING NUTS M6	1				
117		YA00000842	CONNECTING ROD	1				
118		YA00000843	STEPPED HEX BOLT M6X16	1				
119		YA00001156	GRASS BOX ASSY(MAKITA)	1				
	D10		INC. 120-127					
120		YA00000789	GRASS CATCH SIDE CLOSS SET MAK	1				
121		YA00000791	GRASS CATCHER INDICATOR BLUE	1				
122		YA00000793	GRASS CATCHER UPPER BORAD	1				
123		YA00000795	GRIP	1				
124		YA00000794	SELF TAPPING SCREW ST4X14	2				
125		YA00000797	GRASS CATCHER FRAME	1				
126		YA00000796	WASHER 4	4				
127		YA00000794	SELF TAPPING SCREW ST4X14	4				

Interchange
O : Yes
X : No
< : the new part can be substituted for the current.
> : the current part can be substituted for the new.
S : Interchangeable as a set.

