



TH	THAILAND
----	----------

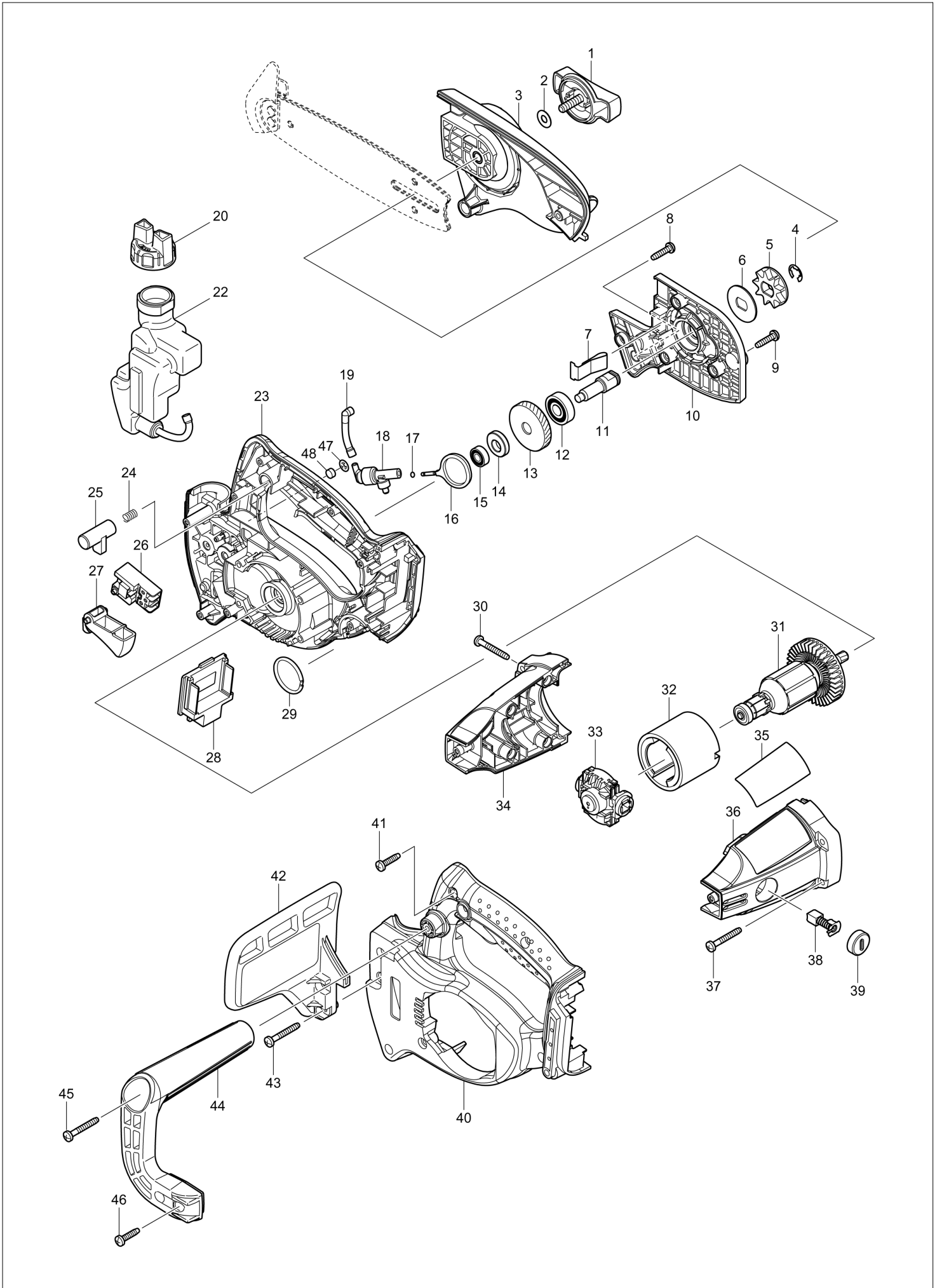
Diagram / Parts List

DUC122

CORDLESS CHAIN SAW 115MM



(TH) DUC122 / CORDLESS CHAIN SAW 115MM



TH	THAILAND
----	----------

DUC122 / CORDLESS CHAIN SAW 115MM

Item	Sub	Parts No.	Parts Description	Qty	I/C	E/C No.	Close No.	Remark
001		158472-4	KNOB 60 COMPLETE	1				
	C10	816905-2	INDICATION LABEL	1				
002		267004-7	FLAT WASHER 6	1				
003		158471-6	SPROCKET COVER COMPLETE	1				
004		961014-3	STOP RING E-8	1				
005		221527-9	SPROCKET 9	1				
006		267732-4	LOCK WASHER 12	1			D4887	
006-1		253442-9	LOCK WASHER 12	1	<	D4887		
007		232238-1	LEAF SPRING	1				
008		265995-6	TAPPING SCREW 4X18	1				
009		265995-6	TAPPING SCREW 4X18	3				
010		450213-7	BEARING HOUSING	1				
011		323806-2	SPINDLE	1				
012		211051-0	BALL BEARING 609LLB	1				
013		226673-3	HELICAL GEAR 50	1				
014		450436-7	CAM	1				
015		210033-9	BALL BEARING 696ZZ	1				
016		450435-9	CRANK	1				
017		213993-4	O-RING 1.5	1				
018		158571-2	OIL PUMP COMPLETE	1				
019		421615-4	CONNECTOR	1				
020		158810-0	TANK CAP COMPLETE	1			C6904	
020-1		140L59-8	TANK CAP COMPLETE	1	O	C6904		
022		158634-4	OIL TANK COMPLETE	1				
023		187237-7	HANDLE SET	1				
	D10		INC. 40					
024		231470-4	COMPRESSION SPRING 6	1				
025		416178-3	LOCK-OFF BUTTON	1				
026		651956-6	SWITCH TG72BD	1				
027		450212-9	SWITCH LEVER	1				
028		644808-8	TERMINAL	1				
029		257363-7	RING 30	1				
030		265995-6	TAPPING SCREW 4X18	4				
031		619225-1	ARMATURE	1				
032		638138-7	YOKE UNIT	1				
033		638608-6	ENDBELL COMPLETE	1				
034		188468-1	MOTOR HOUSING SET	1				
	D10		INC. 36					
035		815W45-1	DUC122 NAME PLATE	1				
036		188468-1	MOTOR HOUSING SET	1				
	D10		INC. 34					
037		266050-7	TAPPING SCREW 4X30	4				
038		195018-5	CARBON BRUSH SET CB-430	1				
039		643954-4	BRUSH HOLDER CAP	2				
040		187237-7	HANDLE SET	1				
	D10		INC. 23					
041		265995-6	TAPPING SCREW 4X18	6				
042		158620-5	FRONT HAND GUARD COMPLETE	1				
	C10	810377-3	CAUTION LABEL	1				
043		266050-7	TAPPING SCREW 4X30	2				
044		450217-9	FRONT HANDLE	1				
045		266050-7	TAPPING SCREW 4X30	1				
046		265995-6	TAPPING SCREW 4X18	2				
047		259041-5	PUSH NUT 8	1				
048		443125-1	FILTER	1				
A01		158476-6	GUIDE BAR 4.5 COMPLETE	1			D1788	
	C10	168450-6	GUIDE BAR 4.5	1			D1788	
A01-1		158476-6	GUIDE BAR 4.5 COMPLETE	1	O	D1788		
	C10	168450-6	GUIDE BAR 4.5	1		D1788		
A02		416311-7	GUIDE BAR CASE	1				
A03		182229-1	OIL SUPPLY 100CC	1			C6257	
A03-1		199897-3	OIL VESSEL SET	1	<	C6257		
A04		744003-1	FILE 4	1				
A05D		196015-4	BATTERY BL1830 SET	2			A5588	
A05-1D		196015-4	BATTERY BL1830 SET	2	O	A5588	B2535	

C:DUC122Z(N)
D:DUC122RFE(H)

Interchange
O : Yes
X : No
< : the new part can be substituted for the current.
> : the current part can be substituted for the new.
S : Interchangeable as a set.

