



| | |
|----|----------|
| TH | THAILAND |
|----|----------|

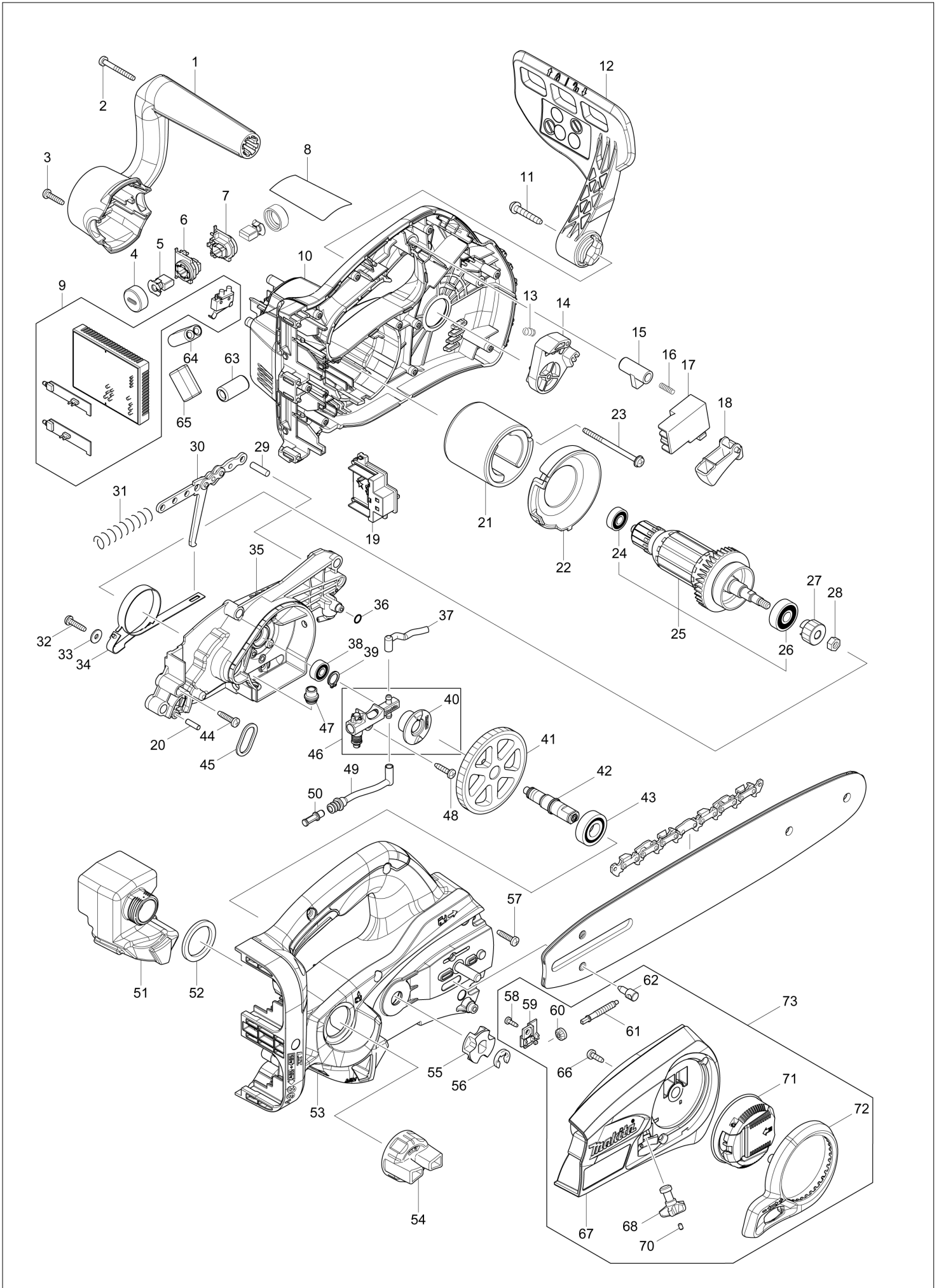
Diagram / Parts List

DUC252

250MM CORDLESS CHAIN SAW



(TH) DUC252 / 250MM CORDLESS CHAIN SAW



| | |
|-----------|-----------------|
| TH | THAILAND |
|-----------|-----------------|

DUC252 / 250MM CORDLESS CHAIN SAW

| Item | Sub | Parts No. | Parts Description | Qty | I/C | E/C No. | Close No. | Remark |
|--------|-----|-----------|---------------------------|-----|-----|---------|-----------|--------|
| 001 | | 451972-6 | FRONT HANDLE | 1 | | | | |
| 002 | | 266053-1 | TAPPING SCREW 4X35 | 1 | | | | |
| 003 | | 265995-6 | TAPPING SCREW 4X18 | 2 | | | | |
| 004A | | 643941-3 | BRUSH HOLDER CAP | 2 | | | Z39174 | |
| 004B | | 643941-3 | BRUSH HOLDER CAP | 2 | | | Z39174 | |
| 004-1A | | 643829-7 | HOLDER CAP | 2 | O | Z39174 | | |
| 004-1B | | 643829-7 | HOLDER CAP | 2 | O | Z39174 | | |
| 004-1C | | 643829-7 | HOLDER CAP | 2 | | | | |
| 005A | | 194928-3 | CARBON BRUSH CB-442 | 1 | | | Y08300 | |
| 005B | | 195023-2 | CARBON BRUSH SET CB-442 | 1 | | | | |
| 005C | | 195023-2 | CARBON BRUSH SET CB-442 | 1 | | | | |
| 005-1A | | 195023-2 | CARBON BRUSH SET CB-442 | 1 | < | Y08300 | | |
| 006A | | 644514-5 | BRUSH HOLDER | 1 | | | Z39174 | |
| 006B | | 644514-5 | BRUSH HOLDER | 1 | | | Z39174 | |
| 006-1A | | 643538-8 | BRUSH HOLDER | 1 | O | Z39174 | | |
| 006-1B | | 643538-8 | BRUSH HOLDER | 1 | O | Z39174 | | |
| 006-1C | | 643538-8 | BRUSH HOLDER | 1 | | | | |
| 007A | | 644513-7 | BRUSH HOLDER | 1 | | | Z39174 | |
| 007B | | 644513-7 | BRUSH HOLDER | 1 | | | Z39174 | |
| 007-1A | | 643537-0 | BRUSH HOLDER | 1 | O | Z39174 | | |
| 007-1B | | 643537-0 | BRUSH HOLDER | 1 | O | Z39174 | | |
| 007-1C | | 643537-0 | BRUSH HOLDER | 1 | | | | |
| 008 | | 815R26-5 | DUC252 NAME PLATE | 1 | | | | |
| 009 | | 620275-1 | CONTROLLER | 1 | | | DB934 | |
| 009-1 | | 620G61-2 | CONTROLLER | 1 | < | DB934 | | |
| 010 | | 187882-8 | HOUSING SET | 1 | | | | |
| | C10 | 263005-3 | RUBBER PIN 6 | 4 | | | | |
| | D10 | | INC. 53 | | | | | |
| 011 | | 266173-1 | TAPPING SCREW 5X30 | 1 | | | | |
| 012 | | 142574-6 | FRONT HAND GUARD COMPLETE | 1 | | | | |
| | C10 | 803G42-3 | CAUTION LABEL | 1 | | | | |
| 013 | | 231298-0 | COMPRESSION SPRING 6 | 1 | | | | |
| 014 | | 451973-4 | HAND GUARD SUPPORT | 1 | | | | |
| 015 | | 416178-3 | LOCK-OFF BUTTON | 1 | | | | |
| 016 | | 233173-6 | COMPRESSION SPRING 4 | 1 | | | | |
| 017 | | 650730-9 | SWITCH TG72BD-6 | 1 | | | | |
| 018 | | 450212-9 | SWITCH LEVER | 1 | | | | |
| 019 | | 644808-8 | TERMINAL | 2 | | | | |
| 020 | | 256184-4 | PIN 4 | 1 | | | | |
| 021 | | 638571-3 | YOKE UNIT | 1 | | | | |
| 022 | | 451970-0 | BAFFLE PLATE | 1 | | | | |
| 023 | | 266292-3 | TAPPING SCREW 4X65 | 2 | | | | |
| 024 | | 210062-2 | BALL BEARING 607ZZ | 1 | | | | |
| 025 | | 519268-2 | ARMATURE ASS'Y 36V | 1 | | | | |
| | D10 | | INC. 24,26 | | | | | |
| 026 | | 211092-6 | BALL BEARING 629DDW | 1 | | | | |
| 027 | | 227252-0 | SPUR GEAR 16 | 1 | | | | |
| 028 | | 252186-8 | HEX. NUT M6 | 1 | | | | |
| 029 | | 256123-4 | PIN 5 | 1 | | | | |
| 030 | | 158047-9 | LINK PLATE COMPLETE | 1 | | | | |
| 031 | | 233175-2 | COMPRESSION SPRING 9 | 1 | | | | |
| 032A | | 265995-6 | TAPPING SCREW 4X18 | 1 | | | C1478 | |
| 032B | | 265995-6 | TAPPING SCREW 4X18 | 1 | | | C1478 | |
| 032-1A | | 265620-9 | TAPPING SCREW FLANGE 4X18 | 1 | S | C1478 | | |
| 032-1B | | 265620-9 | TAPPING SCREW FLANGE 4X18 | 1 | S | C1478 | | |
| 032-1C | | 265620-9 | TAPPING SCREW FLANGE 4X18 | 1 | | | | |
| 033A | | 267195-4 | FLAT WASHER 4 | 1 | | | C1478 | |
| 033B | | 267195-4 | FLAT WASHER 4 | 1 | | | C1478 | |
| 034 | | 168321-7 | BRAKE BAND | 1 | | | | |
| 035 | | 142573-8 | BEARING HOUSING COMPLETE | 1 | | | | |
| | C10 | 263002-9 | RUBBER PIN 4 | 1 | | | | |
| | C20 | 414377-1 | NOZZLE | 1 | | | | |
| 036 | | 213039-6 | O RING 6 | 1 | | | | |
| 037 | | 422058-3 | CONNECTOR | 1 | | | | |
| 038 | | 210028-2 | BALL BEARING 606ZZ | 1 | | | | |

A:DUC252RM2(H)
 B:DUC252Z(N)
 C:DUC252RT2(H)

Interchange
 O : Yes
 X : No
 < : the new part can be substituted for the current.
 > : the current part can be substituted for the new.
 S : Interchangeable as a set.

| | |
|----|----------|
| TH | THAILAND |
|----|----------|

DUC252 / 250MM CORDLESS CHAIN SAW

| Item | Sub | Parts No. | Parts Description | Qty | I/C | E/C No. | Close No. | Remark |
|--------|-----|-----------|-------------------------|-----|-----|---------|-----------|--------|
| 039 | | 961006-2 | RETAINING RING S-10 | 1 | | | | |
| 040 | | 221427-3 | WORM GEAR | 1 | | | | |
| 041 | | 227251-2 | SPUR GEAR 73 | 1 | | | | |
| 042 | | 326417-2 | SPINDLE | 1 | | | | |
| 043A | | 210109-2 | BALL BEARING 6001DDW | 1 | | | B4446 | |
| 043-1A | | 210163-6 | BALL BEARING 6001DDW | 1 | O | B4446 | | |
| 043-1B | | 210163-6 | BALL BEARING 6001DDW | 1 | | | | |
| 043-1C | | 210163-6 | BALL BEARING 6001DDW | 1 | | | | |
| 044 | | 265995-6 | TAPPING SCREW 4X18 | 3 | | | | |
| 045 | | 310593-2 | HANGER | 1 | | | | |
| 046-1 | | 142156-4 | OIL PUMP COMPLETE | 1 | | | D4444 | |
| 046-2 | | 142156-4 | OIL PUMP COMPLETE | 1 | O | D4444 | | |
| 047 | | 424629-2 | GROMMET | 1 | | | | |
| 048 | | 265995-6 | TAPPING SCREW 4X18 | 1 | | | | |
| 049A | | 422057-5 | CONNECTOR | 1 | | | C3896 | |
| 049B | | 422057-5 | CONNECTOR | 1 | | | C3896 | |
| 049-1A | | 422313-3 | CONNECTOR | 1 | S | C3896 | | |
| 049-1B | | 422313-3 | CONNECTOR | 1 | S | C3896 | | |
| 049-1C | | 422313-3 | CONNECTOR | 1 | | | | |
| 050A | | 450437-5 | FILTER | 1 | | | C3896 | |
| 050B | | 450437-5 | FILTER | 1 | | | C3896 | |
| 051 | | 455121-7 | OIL TANK | 1 | | | | |
| 052 | | 424326-0 | SPONGE SHEET | 1 | | | | |
| 053 | | 187882-8 | HOUSING SET | 1 | | | | |
| | C10 | 263005-3 | RUBBER PIN 6 | 4 | | | | |
| | D10 | | INC. 10 | | | | | |
| 054A | | 158810-0 | TANK CAP COMPLETE | 1 | | | C6904 | |
| 054B | | 158810-0 | TANK CAP COMPLETE | 1 | | | C6904 | |
| 054-1A | | 140L60-3 | TANK CAP COMPLETE | 1 | O | C6904 | | |
| 054-1B | | 140L60-3 | TANK CAP COMPLETE | 1 | O | C6904 | | |
| 054-1C | | 140L60-3 | TANK CAP COMPLETE | 1 | | | | |
| 055 | | 221526-1 | SPROCKET | 1 | | | | |
| 056 | | 961014-3 | STOP RING E-8 | 1 | | | | |
| 057 | | 265995-6 | TAPPING SCREW 4X18 | 9 | | | | |
| 058 | | 266020-6 | TAPPING SCREW 4X12 | 1 | | | | |
| 059 | | 454818-5 | COVER | 1 | | | | |
| 060 | | 227496-2 | STRAIGHT BEVEL GEAR 14 | 1 | | | | |
| 061 | | 326372-8 | ADJUST SCREW | 1 | | | | |
| 062 | | 326310-0 | ADJUST PIN | 1 | | | | |
| 066 | | 266020-6 | TAPPING SCREW 4X12 | 3 | | | | |
| 067 | | 142571-2 | SPROCKET COVER COMPLETE | 1 | | | | |
| 068 | | 142665-3 | DRIVE GEAR COMPLETE | 1 | | | | |
| 070 | | 263002-9 | RUBBER PIN 4 | 1 | | | | |
| 071 | | 142235-8 | NUT COMPLETE | 1 | | | | |
| 072 | | 454819-3 | NUT COVER | 1 | | | | |
| 073 | | 196779-0 | SPROCKET COVER SET | 1 | | | | |
| | D10 | | INC. 58-62,66-68,70-72 | | | | | |
| 074A | | 234207-8 | COMPRESSION SPRING 6 | 1 | S | C3896 | | |
| 074B | | 234207-8 | COMPRESSION SPRING 6 | 1 | S | C3896 | | |
| 074C | | 234207-8 | COMPRESSION SPRING 6 | 1 | | | | |
| 075A | | 452666-6 | NIPPLE | 1 | S | C3896 | DA680 | |
| 075B | | 452666-6 | NIPPLE | 1 | S | C3896 | DA680 | |
| 075C | | 452666-6 | NIPPLE | 1 | | | DA680 | |
| 075-1 | | 452666-6 | NIPPLE | 1 | O | DA680 | | |
| A01 | | 168408-5 | GUIDE BAR 10 | 1 | | | D1788 | |
| A01-1 | | 168408-5 | GUIDE BAR 10 | 1 | O | D1788 | | |
| A02 | | 455284-9 | GUIDE BAR CASE | 1 | | | | |
| A03 | | 196205-9 | SAW CHAIN SET | 1 | | | | |
| A04A | | ***DC18RC | DC18RC FAST CHARGER | 1 | | | | |
| A04C | | ***DC18RC | DC18RC FAST CHARGER | 1 | | | | |
| A05C | | 199282-0 | BATTERY BL1850B SET | 2 | | | D0161 | |
| A05-1C | | 199282-0 | BATTERY BL1850B SET | 2 | < | D0161 | | |
| A05-2A | | 197265-4 | BATTERY BL1840B SET | 2 | | | C5218 | |
| A05-3A | | 197265-4 | BATTERY BL1840B SET | 2 | O | C5218 | | |
| A06A | | 197820-2 | SPIKE BUMPER SET | 1 | | B5505 | | |

A:DUC252RM2(H)
B:DUC252Z(N)
C:DUC252RT2(H)

Interchange
O : Yes
X : No
< : the new part can be substituted for the current.
> : the current part can be substituted for the new.
S : Interchangeable as a set.

