



TH	THAILAND
----	----------

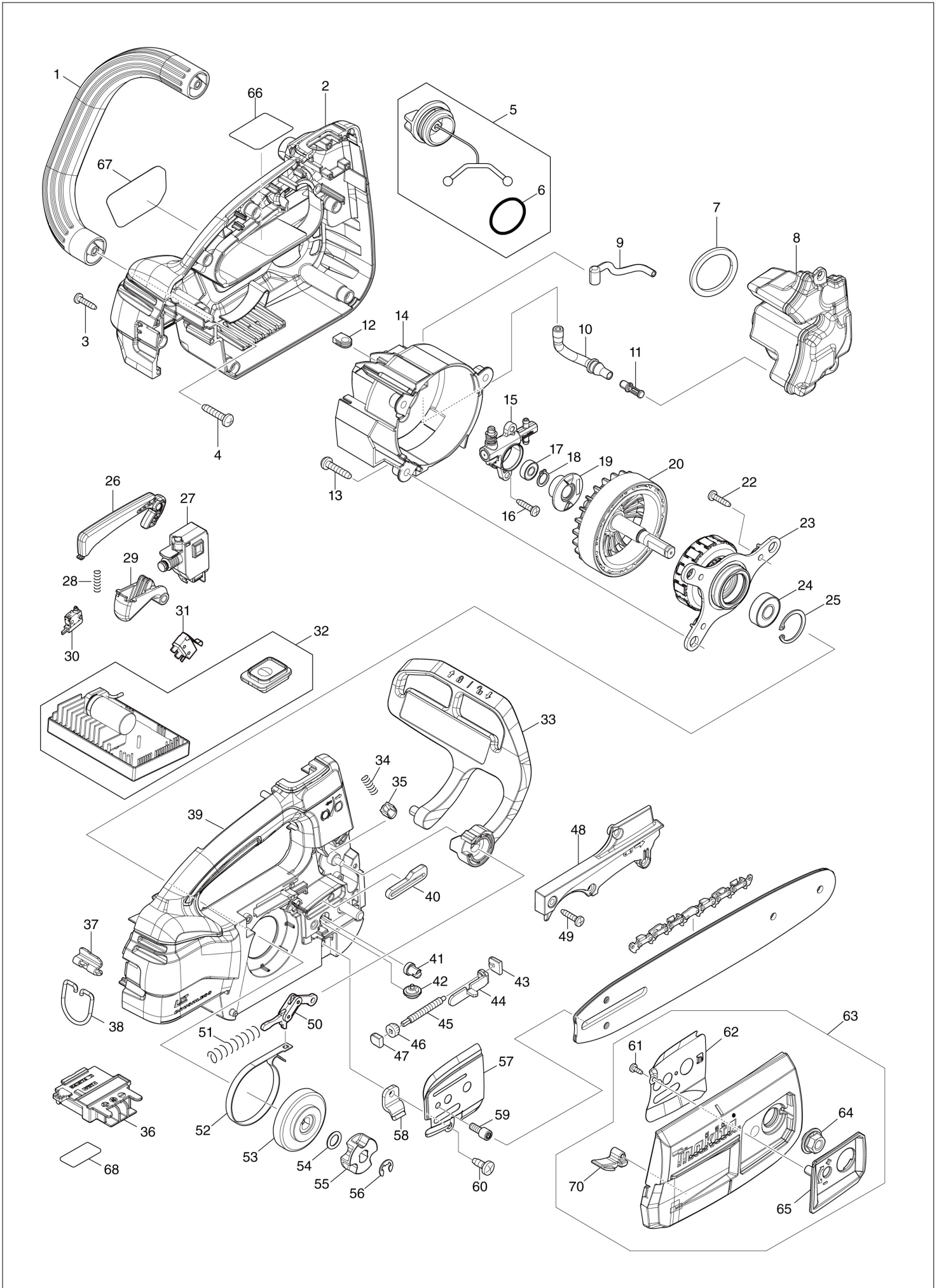
# Diagram / Parts List

**DUC254**

**250MM CORDLESS CHAIN SAW**



(TH) DUC254 / 250MM CORDLESS CHAIN SAW



<b>TH</b>	<b>THAILAND</b>
-----------	-----------------

## DUC254 / 250MM CORDLESS CHAIN SAW

Item	Sub	Parts No.	Parts Description	Qty	I/C	E/C No.	Close No.	Remark
001		458490-5	SIDE HANDLE	1				
002A		183J27-6	HOUSING SET	1			DA934	
	C10	263005-3	RUBBER PIN 6	2			DA934	
	D10		INC. 39				DA934	
002B		183J27-6	HOUSING SET	1			DA934	
	C10	263005-3	RUBBER PIN 6	2			DA934	
	D10		INC. 39				DA934	
002-1A		183U63-8	HOUSING SET	1	S	DA934		
	C10	263005-3	RUBBER PIN 6	2		DA934		
	D10		INC. 39			DA934		
002-1B		183U63-8	HOUSING SET	1	S	DA934		
	C10	263005-3	RUBBER PIN 6	2		DA934		
	D10		INC. 39			DA934		
002-1C		183U63-8	HOUSING SET	1				
	C10	263005-3	RUBBER PIN 6	2				
	D10		INC. 39					
002-1D		183U63-8	HOUSING SET	1				
	C10	263005-3	RUBBER PIN 6	2				
	D10		INC. 39					
003		266326-2	TAPPING SCREW 4X18	8				
004A		266041-8	TAPPING SCREW 5X25	2			DA985	
004B		266041-8	TAPPING SCREW 5X25	2			DA985	
004-1A		266459-3	TAPPING SCREW 5X25	2	O	DA985		
004-1B		266459-3	TAPPING SCREW 5X25	2	O	DA985		
004-1C		266459-3	TAPPING SCREW 5X25	2				
004-1D		266459-3	TAPPING SCREW 5X25	2				
005		168508-1	TANK CAP COMPLETE	1			DG100	
	D10		INC. 6				DG100	
005-1		162A04-7	TANK CAP COMPLETE	1	O	DG100		
	D10		INC. 6			DG100		
006		213355-6	O-RING 25	1			DG100	
006-1		213A11-4	O-RING 25	1	O	DG100		
007		421959-2	SPONGE SEAL	1				
008		140A75-4	OIL TANK COMPLETE	1				
009		422271-3	CONNECTOR A	1				
010		422272-1	CONNECTOR B	1			DL984	
010-1		122F58-6	CONNECTOR B ASSEMBLY	1	S	DL984		
	C10	413L02-3	NIPPLE	1		DL984		
	C20	232774-7	COMPRESSION SPRING 6	1		DL984		
	C30	422985-4	CONNECTOR B	1		DL984		
011		450437-5	FILTER	1			DL984	
012		424612-9	GROMMET	1				
013A		266041-8	TAPPING SCREW 5X25	3			DA985	
013B		266041-8	TAPPING SCREW 5X25	3			DA985	
013-1A		266459-3	TAPPING SCREW 5X25	3	O	DA985		
013-1B		266459-3	TAPPING SCREW 5X25	3	O	DA985		
013-1C		266459-3	TAPPING SCREW 5X25	3				
013-1D		266459-3	TAPPING SCREW 5X25	3				
014		458489-0	MOTOR HOUSING	1				
015		142857-4	OIL PUMP COMPLETE	1				
016		266326-2	TAPPING SCREW 4X18	2				
017A		210026-6	BALL BEARING 696ZZ	1			DA985	
017B		210026-6	BALL BEARING 696ZZ	1			DA985	
017-1A		210187-2	BALL BEARING 696ZZ	1	O	DA985		
017-1B		210187-2	BALL BEARING 696ZZ	1	O	DA985		
017-1C		210187-2	BALL BEARING 696ZZ	1				
017-1D		210187-2	BALL BEARING 696ZZ	1				
018		961006-2	RETAINING RING S-10	1				
019		221428-1	WORM GEAR	1				
020		619518-6	ROTOR	1				
022		266326-2	TAPPING SCREW 4X18	3				
023		629378-8	STATOR COMPLETE	1				
024A		210059-1	BALL BEARING 6000DDW	1			DC599	
024B		210059-1	BALL BEARING 6000DDW	1			DC599	
024-1A		210274-7	BALL BEARING 6000DDW	1	O	DC599		

A:DUC254Z(N)  
 B:DUC254RF(H)  
 C:DUC254F001(H)  
 D:DUC254Z001(N)

Interchange  
 O : Yes  
 X : No  
 < : the new part can be substituted for the current.  
 > : the current part can be substituted for the new.  
 S : Interchangeable as a set.

<b>TH</b>	<b>THAILAND</b>
-----------	-----------------

## DUC254 / 250MM CORDLESS CHAIN SAW

Item	Sub	Parts No.	Parts Description	Qty	I/C	E/C No.	Close No.	Remark
024-1B		210274-7	BALL BEARING 6000DDW	1	O	DC599		
024-1C		210274-7	BALL BEARING 6000DDW	1				
024-1D		210274-7	BALL BEARING 6000DDW	1				
025		962105-3	RETAINING RING R-26	1				
026		458497-1	CATCH LEVER	1				
027		651365-9	SWITCH C3JW-6BM-P	1				
028		233476-8	COMPRESSION SPRING 4	1				
029		458495-5	SWITCH LEVER	1				
030		632L49-0	SWITCH UNIT	1				
031		632L48-2	SWITCH UNIT	1				
032A		140A77-0	CONTROLLER COMPLETE	1			C9328	
	C10	810D46-0	SWITCH LABEL	1			C9328	
032B		140A77-0	CONTROLLER COMPLETE	1			C9328	
	C10	810D46-0	SWITCH LABEL	1			C9328	
032-1A		140P57-6	CONTROLLER COMPLETE	1	<	C9328		
	C10	810D46-0	SWITCH LABEL	1		C9328		
032-1B		140P57-6	CONTROLLER COMPLETE	1	<	C9328		
	C10	810D46-0	SWITCH LABEL	1		C9328		
032-1C		140P57-6	CONTROLLER COMPLETE	1				
	C10	810D46-0	SWITCH LABEL	1				
032-1D		140P57-6	CONTROLLER COMPLETE	1				
	C10	810D46-0	SWITCH LABEL	1				
033		140A71-2	FRONT HAND GUARD COMPLETE	1				
	C10	816U30-5	CAUTION LABEL	1				
034		232453-7	COMPRESSION SPRING 3	1				
035A		310879-4	HAND GUARD GUIDE	1			DB007	
035B		310879-4	HAND GUARD GUIDE	1			DB007	
035-1A		313379-3	HAND GUARD GUIDE	1	O	DB007		
035-1B		313379-3	HAND GUARD GUIDE	1	O	DB007		
035-1C		313379-3	HAND GUARD GUIDE	1				
035-1D		313379-3	HAND GUARD GUIDE	1				
036		643874-2	TERMINAL	1				
037		347377-5	HOOK SUPPORT	1				
038		281222-3	HOOK	1				
039A		183J27-6	HOUSING SET	1			DA934	
	C10	263005-3	RUBBER PIN 6	2			DA934	
	D10		INC. 2				DA934	
039B		183J27-6	HOUSING SET	1			DA934	
	C10	263005-3	RUBBER PIN 6	2			DA934	
	D10		INC. 2				DA934	
039-1A		183U63-8	HOUSING SET	1	S	DA934		
	C10	263005-3	RUBBER PIN 6	2			DA934	
	D10		INC. 2				DA934	
039-1B		183U63-8	HOUSING SET	1	S	DA934		
	C10	263005-3	RUBBER PIN 6	2			DA934	
	D10		INC. 2				DA934	
039-1C		183U63-8	HOUSING SET	1				
	C10	263005-3	RUBBER PIN 6	2				
	D10		INC. 2					
039-1D		183U63-8	HOUSING SET	1				
	C10	263005-3	RUBBER PIN 6	2				
	D10		INC. 2					
040		422270-5	GROMET	1				
041		227620-7	DRIVE GEAR 14	1				
042		227634-6	STRAIGHT BEVEL GEAR 14	1				
043A		455241-7	CLAMP SCREW	1			DA934	
043B		455241-7	CLAMP SCREW	1			DA934	
044A		347376-7	TENSION SLIDE	1			C8640	
044B		347376-7	TENSION SLIDE	1			C8640	
044-1A		347569-6	TENSION SLIDE	1	S	C8640		
044-1B		347569-6	TENSION SLIDE	1	S	C8640		
044-1C		347569-6	TENSION SLIDE	1				
044-1D		347569-6	TENSION SLIDE	1				
045A		327120-8	ADJUST SCREW	1			DA934	
045B		327120-8	ADJUST SCREW	1			DA934	

A:DUC254Z(N)  
 B:DUC254RF(H)  
 C:DUC254F001(H)  
 D:DUC254Z001(N)

Interchange  
 O : Yes  
 X : No  
 < : the new part can be substituted for the current.  
 > : the current part can be substituted for the new.  
 S : Interchangeable as a set.

TH	THAILAND
----	----------

### DUC254 / 250MM CORDLESS CHAIN SAW

Item	Sub	Parts No.	Parts Description	Qty	I/C	E/C No.	Close No.	Remark
045-1A		327900-2	ADJUST SCREW	1	S	DA934		
045-1B		327900-2	ADJUST SCREW	1	S	DA934		
045-1C		327900-2	ADJUST SCREW	1				
045-1D		327900-2	ADJUST SCREW	1				
046		227496-2	STRAIGHT BEVEL GEAR 14	1				
047A		455242-5	CLAMP SCREW	1			DA934	
047B		455242-5	CLAMP SCREW	1			DA934	
048		458491-3	HOUSING R COVER	1				
049		266326-2	TAPPING SCREW 4X18	4				
050		140A74-6	LINK PLATE COMPLETE	1				
051A		232452-9	COMPRESSION SPRING 7	1			D1561	
051B		232452-9	COMPRESSION SPRING 7	1			D1561	
051-1A		232599-9	COMPRESSION SPRING 7	1	X	D1561		
051-1B		232599-9	COMPRESSION SPRING 7	1	X	D1561		
051-1C		232599-9	COMPRESSION SPRING 7	1				
051-1D		232599-9	COMPRESSION SPRING 7	1				
052		347372-5	BRAKE BAND	1				
053		161871-1	BRAKE DRUM COMPLETE	1				
054		213060-5	O RING 10	1				
055A		221464-7	SPROCKET 6	1				
055B		221464-7	SPROCKET 6	1				
055C		227947-5	SPROCKET 7	1				
055D		227947-5	SPROCKET 7	1				
056		961013-5	STOP RING E-7	1				
057A		347374-1	GUIDE PLATE L	1			C8640	
057B		347374-1	GUIDE PLATE L	1			C8640	
057-1A		347567-0	GUIDE PLATE L	1	S	C8640		
057-1B		347567-0	GUIDE PLATE L	1	S	C8640		
057-1C		347567-0	GUIDE PLATE L	1				
057-1D		347567-0	GUIDE PLATE L	1				
058		347373-3	CHAIN CATCHER	1				
059		266905-6	H.L. SOCKET HEAD BOLT M5X12	1				
060		266388-0	TAPPING SCREW 5X16	1				
061A		266007-8	TAPPING SCREW BIND PT 3X10	1			DA985	
061B		266007-8	TAPPING SCREW BIND PT 3X10	1			DA985	
061-1A		266421-8	TAPPING SCREW 3X10	1	O	DA985		
061-1B		266421-8	TAPPING SCREW 3X10	1	O	DA985		
061-1C		266421-8	TAPPING SCREW 3X10	1				
061-1D		266421-8	TAPPING SCREW 3X10	1				
062A		347375-9	GUIDE PLATE R	1			C8640	
062B		347375-9	GUIDE PLATE R	1			C8640	
062-1A		347568-8	GUIDE PLATE R	1	S	C8640	DF499	
062-1B		347568-8	GUIDE PLATE R	1	S	C8640	DF499	
062-2A		347568-8	GUIDE PLATE R	1	O	DF499		
062-2B		347568-8	GUIDE PLATE R	1	O	DF499		
062-2C		347568-8	GUIDE PLATE R	1				
062-2D		347568-8	GUIDE PLATE R	1				
063A		136010-2	SPROCKET COVER ASS'Y	1			Y07724	
	D10		INC. 61,62,64,65,70				Y07724	
063-1A		136010-2	SPROCKET COVER ASS'Y	1	<	Y07724	C5386	
	D10		INC. 61,62,64,65,70,71			Y07724	C5386	
063-2A		136036-4	SPROCKET COVER ASS'Y	1	<	C5386	C8640	
	D10		INC. 61,62,64,65,70,71			C5386	C8640	
063-2B		136036-4	SPROCKET COVER ASS'Y	1			C8640	
	D10		INC. 61,62,64,65,70,71				C8640	
063-3A		136122-1	SPROCKET COVER ASS'Y	1	S	C8640		
	D10		INC. 61,62,64,65,70,71			C8640		
063-3B		136122-1	SPROCKET COVER ASS'Y	1	S	C8640		
	D10		INC. 61,62,64,65,70,71			C8640		
063-3C		136122-1	SPROCKET COVER ASS'Y	1				
	D10		INC. 61,62,64,65,70,71					
063-3D		136122-1	SPROCKET COVER ASS'Y	1				
	D10		INC. 61,62,64,65,70,71					
064A		161870-3	FRANGE NUT COMPLETE	1			C5386	
064-1A		162494-8	FLANGE NUT COMPLETE	1	<	C5386		

A:DUC254Z(N)  
 B:DUC254RF(H)  
 C:DUC254F001(H)  
 D:DUC254Z001(N)

Interchange  
 O : Yes  
 X : No  
 < : the new part can be substituted for the current.  
 > : the current part can be substituted for the new.  
 S : Interchangeable as a set.

