



TH	THAILAND
----	----------

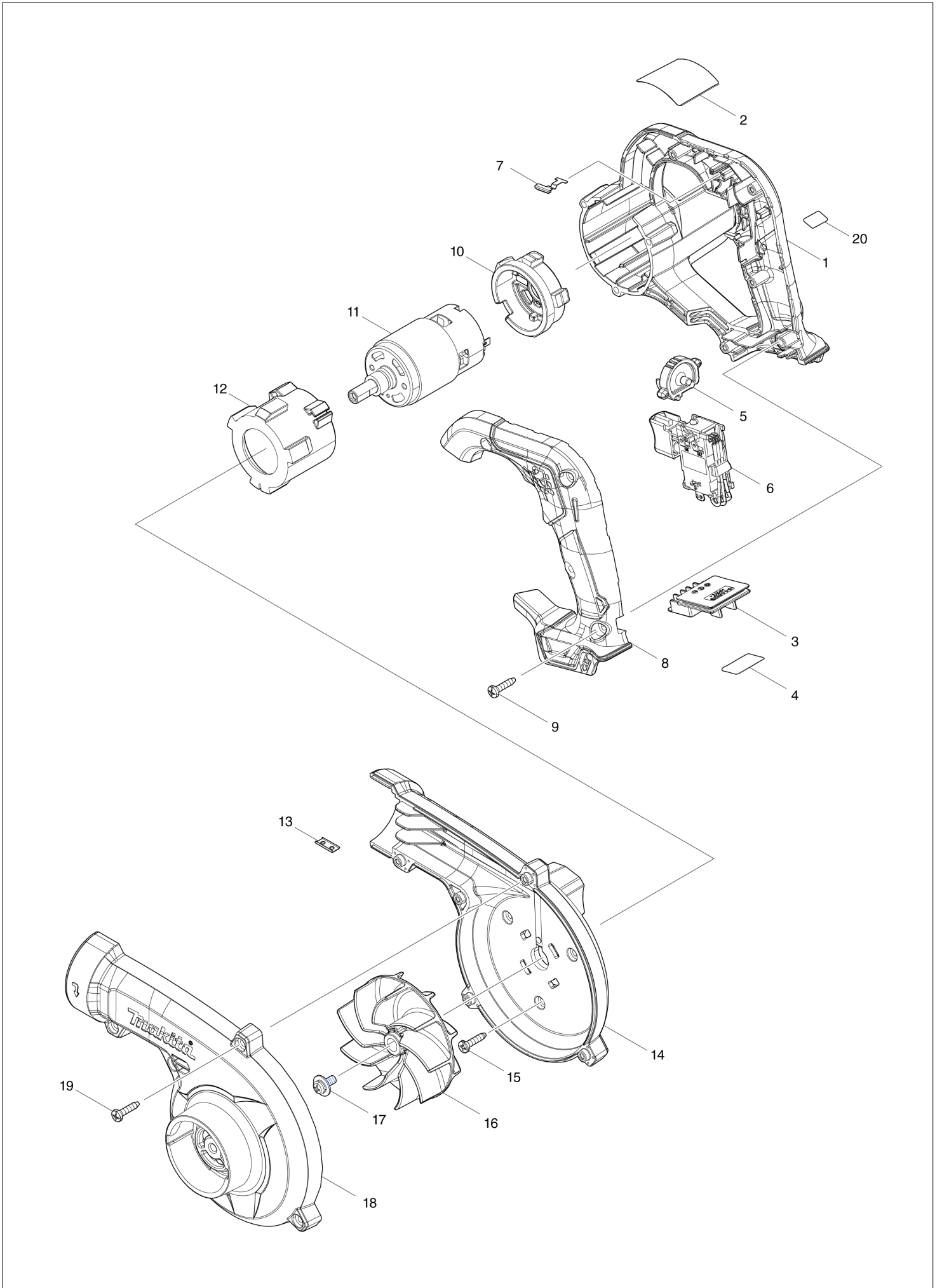
# Diagram / Parts List

**UB100D**

**CORDLESS BLOWER**



(TH) UB100D / CORDLESS BLOWER



<b>TH</b>	<b>THAILAND</b>
-----------	-----------------

### **UB100D / CORDLESS BLOWER**

Item	Sub	Parts No.	Parts Description	Qty	I/C	E/C No.	Close No.	Remark
001		183R73-7	MOTOR HOUSING SET	1				
	D10		INC. 8					
002		857R07-3	UB100D NAME PLATE	1				
003		644813-5	TERMINAL	1				
004		857R14-6	UB100D SERIAL NO. LABEL	1				
005		412573-5	DIAL	1				
006		632R60-8	SWITCH UNIT	1				
	C20	654086-2	RECEPTACLE	2		DE372		
007		232620-4	LEAF SPRING	1				
008		183R73-7	MOTOR HOUSING SET	1				
	D10		INC. 1					
009		266326-2	TAPPING SCREW 4X18	5				
010		422589-2	MOTOR RUBBER RING B	1				
011		629A20-7	DC MOTOR	1				
012		422588-4	MOTOR RUBBER RING A	1				
013		345998-7	SET PLATE	1				
014		183R77-9	FAN HOUSING SET	1				
	C10	8012T7-9	CAUTION LABEL	1				
	D10		INC. 18					
015		266326-2	TAPPING SCREW 4X18	3				
016		240210-9	FAN 85	1				
017		265B25-5	PAN HEAD SCREW M5X12 WITH WG	1				
018		183R77-9	FAN HOUSING SET	1				
	C10	8012T7-9	CAUTION LABEL	1				
	D10		INC. 14					
019		266326-2	TAPPING SCREW 4X18	5				
A01		123245-4	NOZZLE ASS'Y	1				
	C10	454703-2	JOINT	1				
F05		191M30-1	BRUSH NOZZLE SET	1				
F06		191M32-7	WIPER NOZZLE SET	1				
F07		191M34-3	FLEXIBLE HOSE SET	1				
F08		192236-6	TAPERED NOZZLE SET	1				
A:UB100DZ(N)								Interchange O : Yes X : No < : the new part can be substituted for the current. > : the current part can be substituted for the new. S : interchangeable as a set.