



TH	THAILAND
----	----------

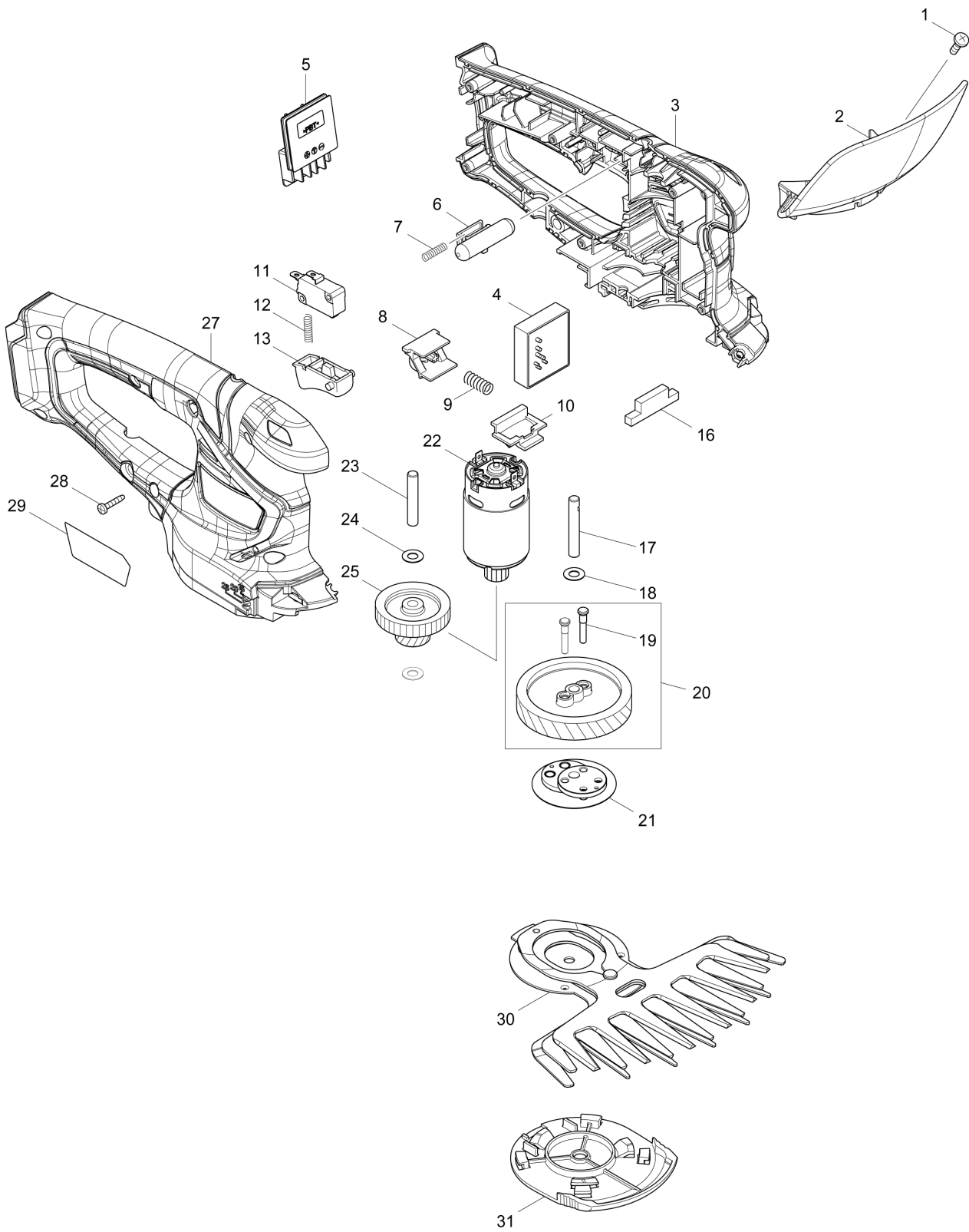
Diagram / Parts List

UM600D

160MM CORDLESS GRASS SHEAR



(TH) UM600D / 160MM CORDLESS GRASS SHEAR



TH	THAILAND
----	----------

UM600D / 160MM CORDLESS GRASS SHEAR

Item	Sub	Parts No.	Parts Description	Qty	I/C	E/C No.	Close No.	Remark
001		915116-7	BINDING HEAD SCREW M4X12	1				
002A		144342-3	PROTECTOR COMPLETE	1			D2683	
	C10	819948-3	CAUTION LABEL	1			D2683	
002B		144342-3	PROTECTOR COMPLETE	1			D2683	
	C10	819948-3	CAUTION LABEL	1			D2683	
002C		144342-3	PROTECTOR COMPLETE	1			D2683	
	C10	819948-3	CAUTION LABEL	1			D2683	
002-1A		140V97-0	PROTECTOR COMPLETE	1	<	D2683		
	C10	819948-3	CAUTION LABEL	1		D2683	DK032	
002-1B		140V97-0	PROTECTOR COMPLETE	1	<	D2683		
	C10	819948-3	CAUTION LABEL	1		D2683	DK032	
002-1C		140V97-0	PROTECTOR COMPLETE	1	<	D2683		
	C10	819948-3	CAUTION LABEL	1		D2683	DK032	
002-1D		140V97-0	PROTECTOR COMPLETE	1				
	C10	819948-3	CAUTION LABEL	1			DK032	
	C11	819948-3	CAUTION LABEL	1	<	DK032		
003A		183G04-0	HOUSING SET	1			DB439	
	C10	931102-0	HEX. NUT M4	1			DB439	
	C20	263002-9	RUBBER PIN 4	2			DB439	
	C30	346275-0	PLATE	2			DB439	
	D10		INC. 27				DB439	
003B		183G04-0	HOUSING SET	1			DB439	
	C10	931102-0	HEX. NUT M4	1			DB439	
	C20	263002-9	RUBBER PIN 4	2			DB439	
	C30	346275-0	PLATE	2			DB439	
	D10		INC. 27				DB439	
003C		183G04-0	HOUSING SET	1			DB439	
	C10	931102-0	HEX. NUT M4	1			DB439	
	C20	263002-9	RUBBER PIN 4	2			DB439	
	C30	346275-0	PLATE	2			DB439	
	D10		INC. 27				DB439	
003-1A		183U51-5	HOUSING SET	1	S	DB439		
	C10	931102-0	HEX. NUT M4	1		DB439		
	C20	263002-9	RUBBER PIN 4	2		DB439		
	C30	346275-0	PLATE	2		DB439		
	D10		INC. 27			DB439		
003-1B		183U51-5	HOUSING SET	1	S	DB439		
	C10	931102-0	HEX. NUT M4	1		DB439		
	C20	263002-9	RUBBER PIN 4	2		DB439		
	C30	346275-0	PLATE	2		DB439		
	D10		INC. 27			DB439		
003-1C		183U51-5	HOUSING SET	1	S	DB439		
	C10	931102-0	HEX. NUT M4	1		DB439		
	C20	263002-9	RUBBER PIN 4	2		DB439		
	C30	346275-0	PLATE	2		DB439		
	D10		INC. 27			DB439		
003-1D		183U51-5	HOUSING SET	1				
	C10	931102-0	HEX. NUT M4	1				
	C20	263002-9	RUBBER PIN 4	2				
	C30	346275-0	PLATE	2				
	D10		INC. 27					
004A		632K10-1	CONTROLLER UNIT	1			D9894	
004B		632K10-1	CONTROLLER UNIT	1			D9894	
004C		632K10-1	CONTROLLER UNIT	1			D9894	
004-1A		632R77-1	CONTROLLER UNIT	1	<	D9894		
004-1B		632R77-1	CONTROLLER UNIT	1	<	D9894		
004-1C		632R77-1	CONTROLLER UNIT	1	<	D9894		
004-1D		632R77-1	CONTROLLER UNIT	1				
	C20	654086-2	RECEPTACLE	2		DE372		
005		644813-5	TERMINAL	1				
006A		452438-9	LOCK OFF BUTTON	1			DB439	
006B		452438-9	LOCK OFF BUTTON	1			DB439	
006C		452438-9	LOCK OFF BUTTON	1			DB439	
006-1A		413A16-6	LOCK OFF BUTTON	1	S	DB439		
006-1B		413A16-6	LOCK OFF BUTTON	1	S	DB439		

A:UM600DZ(N)
 B:UM600DWYE(H)
 C:UM600DWAE(H)
 D:UM600DZX(N)

Interchange
 O : Yes
 X : No
 < : the new part can be substituted for the current.
 > : the current part can be substituted for the new.
 S : Interchangeable as a set.

TH	THAILAND
-----------	-----------------

UM600D / 160MM CORDLESS GRASS SHEAR

Item	Sub	Parts No.	Parts Description	Qty	I/C	E/C No.	Close No.	Remark
006-1C		413A16-6	LOCK OFF BUTTON	1	S	DB439		
006-1D		413A16-6	LOCK OFF BUTTON	1				
007		231473-8	COMPRESSION SPRING 4	1				
008		457534-8	SLIDE PLATE	1				
009		234339-1	COMPRESSION SPRING 6	1				
010		454879-5	LOCK LEVER	1				
011		650744-8	SWITCH D3V-16-3C26	1				
012		231473-8	COMPRESSION SPRING 4	1				
013		417564-1	SWITCH LEVER	1				
016		451814-4	DUST GUARD	1				
017		268254-7	PIN 6	1				
018		253715-0	FLAT WASHER 6	1				
019		268256-3	PIN 4	2				
020		135883-0	HELICAL GEAR 47 ASS'Y	1				
	D10		INC. 19					
021		161598-3	CRANK COMPLETE	1				
022		629258-8	DC MOTOR	1				
023		268076-5	PIN 6	1				
024		253715-0	FLAT WASHER 6	2				
025		226831-1	GEAR 12-31	1				
027A		183G04-0	HOUSING SET	1			DB439	
	C10	931102-0	HEX. NUT M4	1			DB439	
	C20	263002-9	RUBBER PIN 4	2			DB439	
	C30	346275-0	PLATE	2			DB439	
	D10		INC. 3				DB439	
027B		183G04-0	HOUSING SET	1			DB439	
	C10	931102-0	HEX. NUT M4	1			DB439	
	C20	263002-9	RUBBER PIN 4	2			DB439	
	C30	346275-0	PLATE	2			DB439	
	D10		INC. 3				DB439	
027C		183G04-0	HOUSING SET	1			DB439	
	C10	931102-0	HEX. NUT M4	1			DB439	
	C20	263002-9	RUBBER PIN 4	2			DB439	
	C30	346275-0	PLATE	2			DB439	
	D10		INC. 3				DB439	
027-1A		183U51-5	HOUSING SET	1	S	DB439		
	C10	931102-0	HEX. NUT M4	1		DB439		
	C20	263002-9	RUBBER PIN 4	2		DB439		
	C30	346275-0	PLATE	2		DB439		
	D10		INC. 3			DB439		
027-1B		183U51-5	HOUSING SET	1	S	DB439		
	C10	931102-0	HEX. NUT M4	1		DB439		
	C20	263002-9	RUBBER PIN 4	2		DB439		
	C30	346275-0	PLATE	2		DB439		
	D10		INC. 3			DB439		
027-1C		183U51-5	HOUSING SET	1	S	DB439		
	C10	931102-0	HEX. NUT M4	1		DB439		
	C20	263002-9	RUBBER PIN 4	2		DB439		
	C30	346275-0	PLATE	2		DB439		
	D10		INC. 3			DB439		
027-1D		183U51-5	HOUSING SET	1				
	C10	931102-0	HEX. NUT M4	1				
	C20	263002-9	RUBBER PIN 4	2				
	C30	346275-0	PLATE	2				
	D10		INC. 3					
028		266429-2	TAPPING SCREW 3X16	6				
029		852Y86-8	UM600D NAME PLATE	1				
030A		195176-7	SHEAR BLADE ASSEMBLY SET	1			C6719	
	C10	188369-3	OIL VESSEL SET	1			C6719	
030B		195176-7	SHEAR BLADE ASSEMBLY SET	1			C6719	
	C10	188369-3	OIL VESSEL SET	1			C6719	
030C		195176-7	SHEAR BLADE ASSEMBLY SET	1			C6719	
	C10	188369-3	OIL VESSEL SET	1			C6719	
030-1A		195267-4	SHEAR BLADE ASSEMBLY SET	1	<	C6719	D1118	
	C10	188369-3	OIL VESSEL SET	1		C6719	D1118	

A:UM600DZ(N)
 B:UM600DWYE(H)
 C:UM600DWAE(H)
 D:UM600DZX(N)

Interchange
 O : Yes
 X : No
 < : the new part can be substituted for the current.
 > : the current part can be substituted for the new.
 S : Interchangeable as a set.

