



TH	THAILAND
----	----------

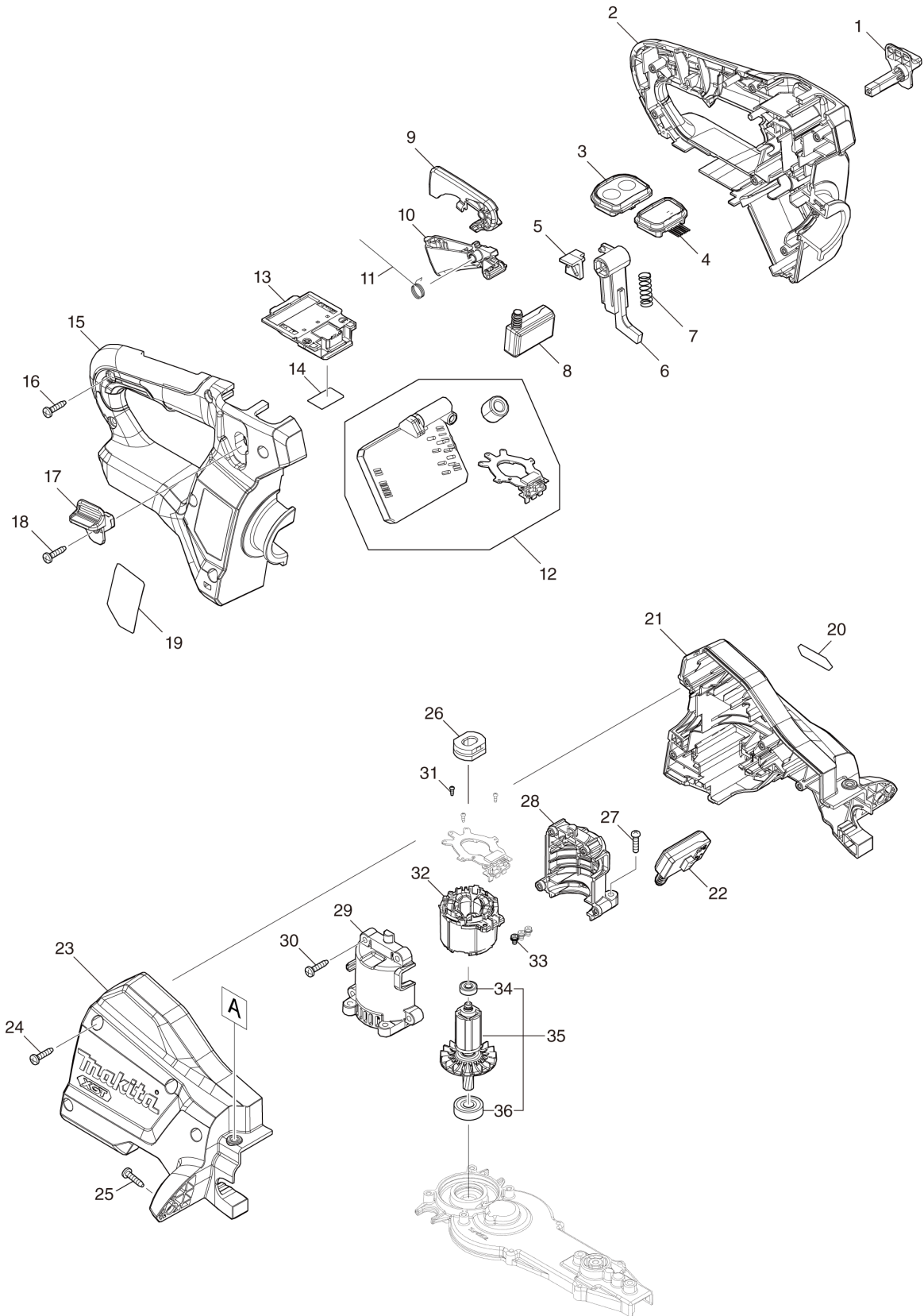
Diagram / Parts List

UH006G

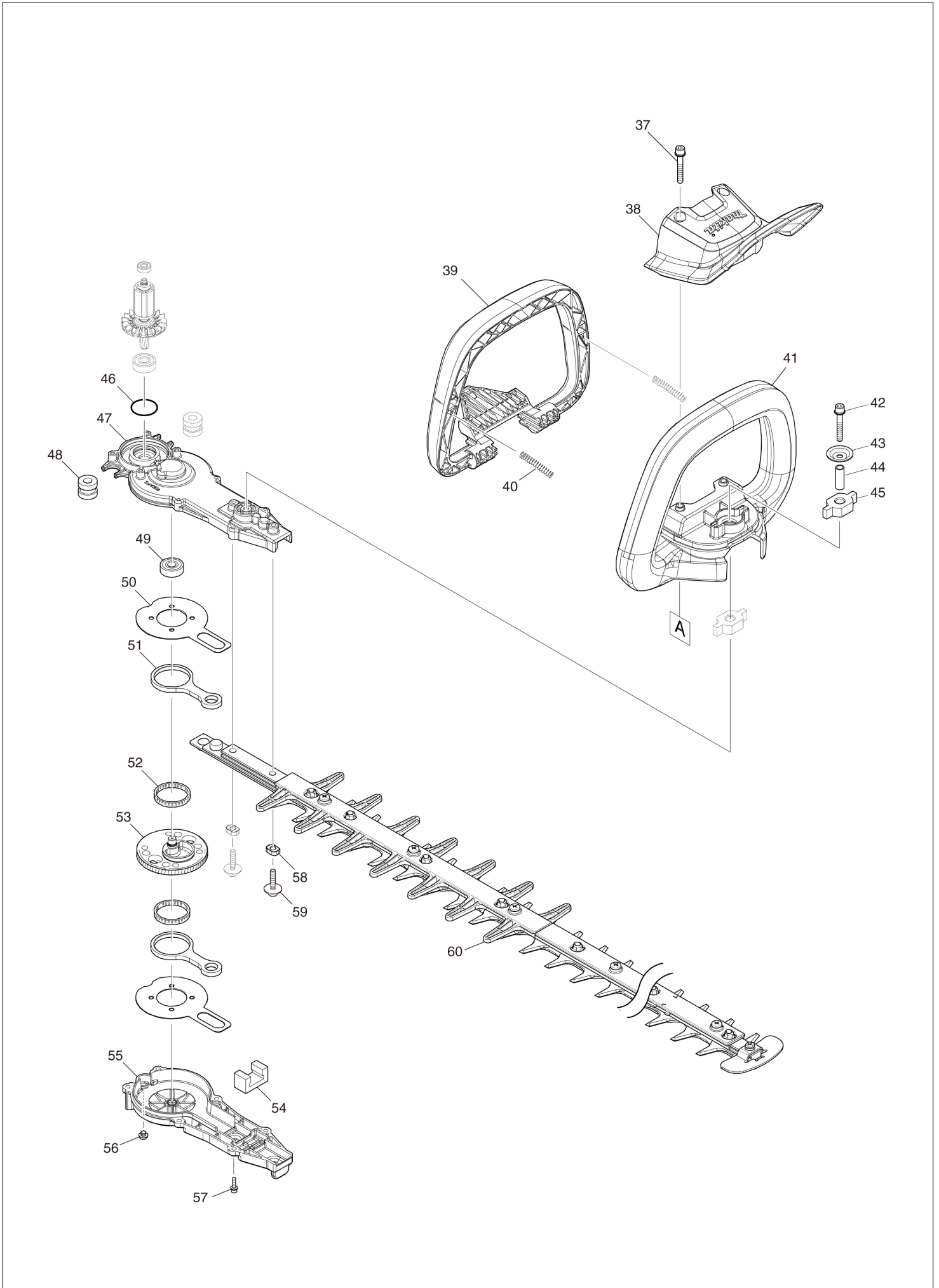
600MM CORDLESS HEDGE TRIMMER



(TH) UH006G / 600MM CORDLESS HEDGE TRIMMER



(TH) UH006G / 600MM CORDLESS HEDGE TRIMMER



TH	THAILAND
----	----------

UH006G / 600MM CORDLESS HEDGE TRIMMER

Item	Sub	Parts No.	Parts Description	Qty	I/C	E/C No.	Close No.	Remark
001		458406-0	LOCK LEVER L	1				
002		183T66-6	HANDLE SET	1				
	C10	263005-3	RUBBER PIN 6	2				
	C20	8034N8-3	CAUTION LABEL	1				
	D10		INC. 15					
003		141D66-6	SWITCH CIRCUIT COMPLETE E	1				
	C10	8034K3-2	SWITCH LABEL	1				
004		140W63-3	INDICATION CIRCUIT COMPLETE	1				
005		458570-7	SLIDER	1				
006		458405-2	LOCK ARM	1				
007		234204-4	COMPRESSION SPRING 8	1				
008		651083-9	SWITCH C3XA-1PSPM	1				
009		458403-6	LOCK OFF LEVER	1				
010		413792-6	SWITCH LEVER R	1				
011		232454-5	TORSION SPRING 10	1				
012		620E57-1	CONTROLLER	1				
013		632P64-8	TERMINAL UNIT	1				
014		811J28-1	UH006G SERIAL NO. LABEL	1				
015		183T66-6	HANDLE SET	1				
	C10	263005-3	RUBBER PIN 6	2				
	C20	8034N8-3	CAUTION LABEL	1				
	D10		INC. 2					
016		266326-2	TAPPING SCREW 4X18	6				
017		458407-8	LOCK LEVER R	1				
018		266326-2	TAPPING SCREW 4X18	1				
019		811J22-3	UH006G NAME PLATE	1				
020		8025F3-0	XGT LOGO LABEL	1				
021		183S95-3	HOUSING SET	1				
	C10	424344-8	DAMPER	4				
	D10		INC. 23					
022		651083-9	SWITCH C3XA-1PSPM	1				
023		183S95-3	HOUSING SET	1				
	C10	424344-8	DAMPER	4				
	D10		INC. 21					
024		266326-2	TAPPING SCREW 4X18	4				
025		266326-2	TAPPING SCREW 4X18	2				
026		422261-6	RUBBER SLEEVE	1				
027		911128-8	P.H.SCREW M4X16 WITH WR	4				
028		183S94-5	MOTOR HOUSING SET	1				
	D10		INC. 29					
029		183S94-5	MOTOR HOUSING SET	1				
	D10		INC. 28					
030		266326-2	TAPPING SCREW 4X18	4				
031		266490-9	TAPPING SCREW PT 2X6	3				
032		629A75-2	STATOR	1				
033		652069-6	FLAT HEAD SCREW M3X6	3				
034		211157-4	BALL BEARING 695ZZ	1				
035		519695-3	ROTOR ASSY	1				
	D10		INC. 34,36					
036		210005-4	BALL BEARING 608DDW	1				
037		265182-7	+ PAN HEAD SCREW M5X25	2				
038		458399-1	PROTECTOR	1				
039		458402-8	SWITCH LEVER F	1				
040		233222-9	COMPRESSION SPRING 5	2				
041		413791-8	FRONT GRIP E	1				
042		251476-6	H.S.H.BOLT M5X35 WITH WR	1			DJ608	
042-1		265D13-4	H.S.H.BOLT M5X35 WITH WRM	1	O	DJ608		
043		253416-0	DISH WASHER 5	1				
044		257678-2	SLEEVE 6	1				
045		422260-8	RUBBER SLEEVE 8	2				
046		213961-7	O RING 22	1				
047		141C50-5	GEAR HOUSING COMPLETE	1			DD560	
	C10	263002-9	RUBBER PIN 4	1			DD560	
	C20	424344-8	DAMPER	1			DD560	
047-1		141C50-5	GEAR HOUSING COMPLETE	1	O	DD560		

A:UH006GZ(N)
B:UH006GM201(H)

Interchange
O : Yes
X : No
< : the new part can be substituted for the current.
> : the current part can be substituted for the new.
S : Interchangeable as a set.

TH	THAILAND
-----------	-----------------

UH006G / 600MM CORDLESS HEDGE TRIMMER

Item	Sub	Parts No.	Parts Description	Qty	I/C	E/C No.	Close No.	Remark
	C10	263002-9	RUBBER PIN 4	1		DD560		
	C20	424344-8	DAMPER	1		DD560		
048		422725-0	RUBBER SLEEVE 8	2				
049		211032-4	BALL BEARING 608ZZ	1				
050		347361-0	FRICTION PLATE	2				
051		347662-6	CONNECTING ROD	2				
052		212229-8	NEEDLE CAGE 315	2				
053		141C49-0	GEAR COMPLETE	1				
054		443159-4	SEAL	1				
055		141C46-6	GEAR HOUSING COVER COMPLETE	1			DC103	
055-1		141H42-4	GEAR HOUSING COVER COMPLETE	1	O	DC103		
056		266559-9	H.S.BUTTON HEAD BOLT M6X4	1				
057		922128-3	HEX. SOCKET HEAD BOLT M4X16	6				
058		257859-8	SLEEVE 5	2				
059		265A89-3	H.S.H.BOLT M5X25 WITH WR	2				
060		191R55-5	SHEAR BLADE 600 R SET	1			DG022	
	C10	199450-5	GREASE VESSEL SET	1			DG022	
	C20	413794-2	GUARD R	1			DG022	
	C30	413795-0	SPACER 600 R	1			DG022	
	C40	915211-3	BINDING HEAD SCREW M5X12	5			DG022	
	D10		INC, 58				DG022	
060-1		191R55-5	SHEAR BLADE 600 R SET	1	O	DG022		
	C10	199450-5	GREASE VESSEL SET	1		DG022		
	C20	413794-2	GUARD R	1		DG022		
	C30	413795-0	SPACER 600 R	1		DG022		
	C40	915211-3	BINDING HEAD SCREW M5X12	5		DG022		
	C50	347B07-0	BRUNCH CATCHER	1		Y09005		
	C60	911208-0	PAN HEAD SCREW M5X10	1		Y09005		
	D10		INC, 58			DG022		
A01		412911-1	BLADE COVER 600	1				
A02		195246-2	SAFETY GOGGLE	1			DJ640	
A04B		***DC40RA	DC40RA FAST CHARGER	1				
	D10		COMPO-PARTS					
A05B		191B32-1	BATTERY BL4040 SET	2				
A06B		412393-7	BATTERY COVER	2				
F03		199450-5	GREASE VESSEL SET	1				

A:UH006GZ(N) B:UH006GM201(H)	Interchange O : Yes X : No < : the new part can be substituted for the current. > : the current part can be substituted for the new. S : Interchangeable as a set.
---------------------------------	---