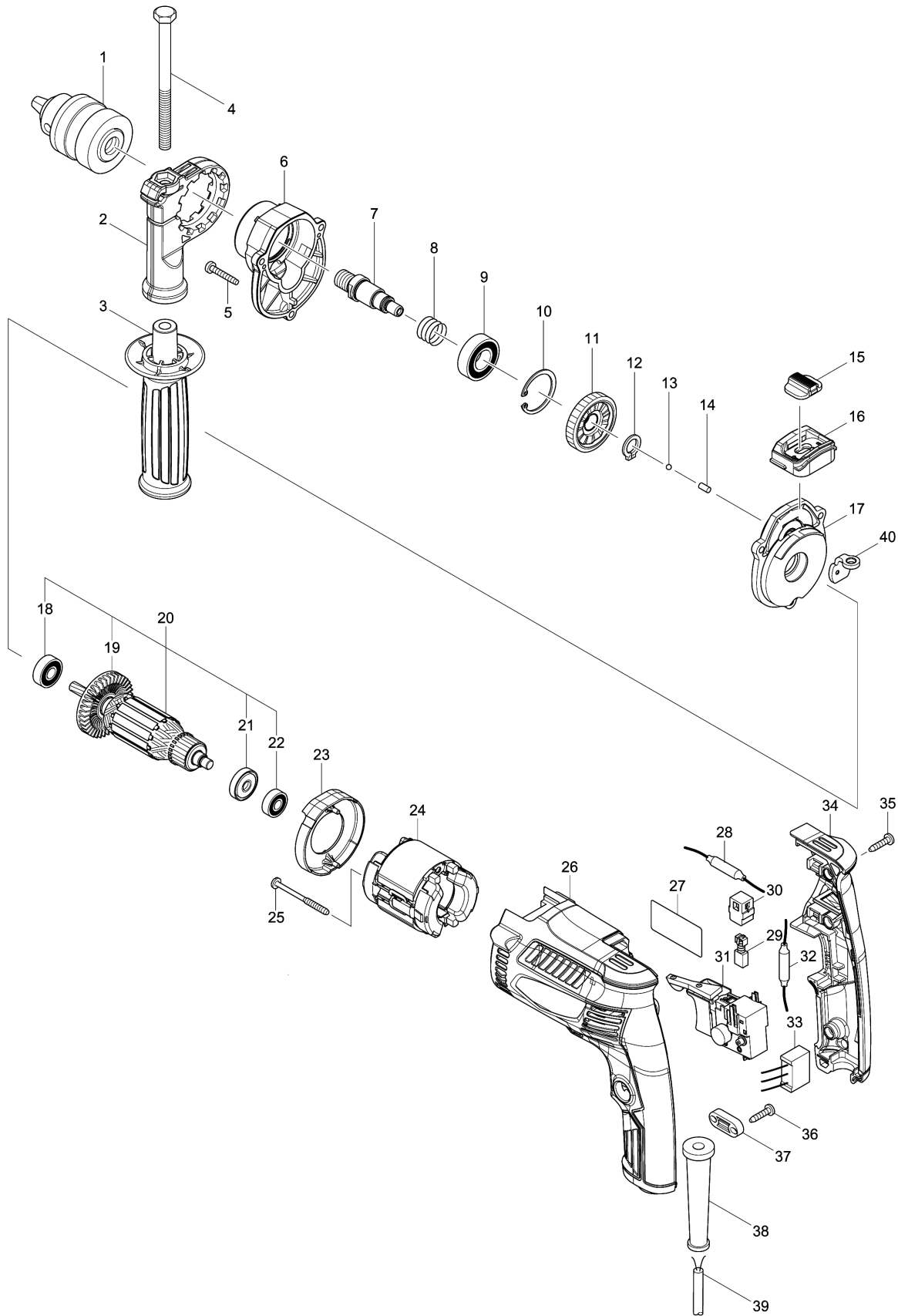


Model No.M8103 13MM HAMMER DRILL



Model No.M8103 13MM HAMMER DRILL

รายการ	รหัสอะไหล่	รายละเอียด	การ แลกเปลี่ยน	จำนวน	New/Old	ขาย	ซื้อ	ข้อความ
001-1	763232-7	DRILL CHUCK S13		1				
002	454126-4	GRIP BASE		1				
003	142083-5	GRIP 36 COMPLETE		1				
004	265495-6	HEX. BOLT M8X110		1				
005-1	265656-8	TAPPING SCREW 4X25		3				
006	454115-9	GEAR HOUSING		1				
007-1	327325-0	SPINDLE		1				
008	233330-6	COMPRESSION SPRING 16		1				
009-1	211484-9	BALL BEARING 6002LLB		1				
010	962151-6	RETAINING RING R-32		1				
011	227761-9	HELICAL GEAR 37		1				
012	961052-5	RETAINING RING S-12		1				
013	216001-0	STEEL BALL 3.5		1				
014	256251-5	PIN 4		1				
015	417819-4	CHANGE LEVER		1				
016	456511-7	LEVER CASE		1				
017-1	140K24-1	CAM HOUSING COMPLETE		1				
C11	140K25-9	CAM COMPLETE		1				
018	210005-4	BALL BEARING 608DDW		1				
019	240055-5	FAN 48		1				
020	515868-6	ARMATURE ASS'Y 220V		1				
D10		INC. 18,19,21,22						
021	681652-2	INSULATION WASHER		1				
022-1	211382-7	BALL BEARING 607ZZ		1				
023	456129-4	BAFFLE PLATE		1				
024	593803-4	FIELD ASS'Y 220-240V		1				
C10	654228-8	RECEPTACLE		1				
025-1	265650-0	TAPPING SCREW 4X50		2				
026	456507-8	MOTOR HOUSING		1				
027	852B10-3	M8103 NAME PLATE		1				
029	B-80282	CARBON BRUSH SET CB-85A		1				
030	643566-3	BRUSH HOLDER 5X8		2				
031	650555-1	SWITCH FA1-3/2BEZ-3		1				
034	456510-9	HANDLE COVER		1				
035-1	265652-6	TAPPING SCREW 4X18		3				
036-1	265652-6	TAPPING SCREW 4X18		2				
037	687124-5	STRAIN RELIEF		1				
038	682569-2	CORD GUARD 8-85		1				
039	691284-7	POWER SUPPLY CORD 0.75-2-2.0		1				
040	345836-3	CHANGE PLATE		1				
A01	418163-2	KEY HOLDER 10		1				
A02-1	763235-1	CHUCK KEY S13		1				
A04B	821665-3	PLASTIC CARRYING CASE		1				

Model No.M8103 13MM HAMMER DRILL

รายการ	รหัสอะไหล่	รายละเอียด	การ แลกเปลี่ยน	จำนวน	New/Old	ขาย	ซื้อ	ข้อความ
C10	452432-1	SLIDE LATCH		2				
C20	806G57-9	MAKITA MT LOGO LABEL		1				
A04C	821665-3	PLASTIC CARRYING CASE		1				
C10	452432-1	SLIDE LATCH		2				
C20	806G57-9	MAKITA MT LOGO LABEL		1				
A04D	821830-4	PLASTIC CASE		1				
C10	452432-1	SLIDE LATCH		2				
C20	806G57-9	MAKITA MT LOGO LABEL		1				
A04E	821727-7	PLASTIC CASE		1				
C10	452432-1	SLIDE LATCH		2				
C20	806G57-9	MAKITA MT LOGO LABEL		1				
A05B	8014T2-1	M8103KSPB PLASTIC CASE LABEL		2				
A05C	8014T3-9	M8103KX1B PLASTIC CASE LABEL		2				
A05D	8014T4-7	M8103KX5B PLASTIC CASE LABEL		2				
A05E	8014T5-5	M8103KX4B PLASTIC CASE LABEL		2				
A06B	193954-9	DRILL BIT SET		1				
A06C	193954-9	DRILL BIT SET		1				
A06D	D-52314	75PCS. BIT SET, INCH, TYPE MZ		1				
A06E	D-52308	74PCS. BIT SET, MM, TYPE NZ		1				
A07B	762020-9	TAPE MEASURE		1				
A07D	D-53039	FILM FOR 100TH ANNIVERSARY		1				
A07E	D-53039	FILM FOR 100TH ANNIVERSARY		1				
A08B	769007-2	CUTTING PLIER		1				
A09B	769008-0	HAMMER		1				
A10B	783010-9	SCREW DRIVER		1				

Please order the parts with part number.

Print Date 27/4/2020