



| | |
|----|----------|
| TH | THAILAND |
|----|----------|

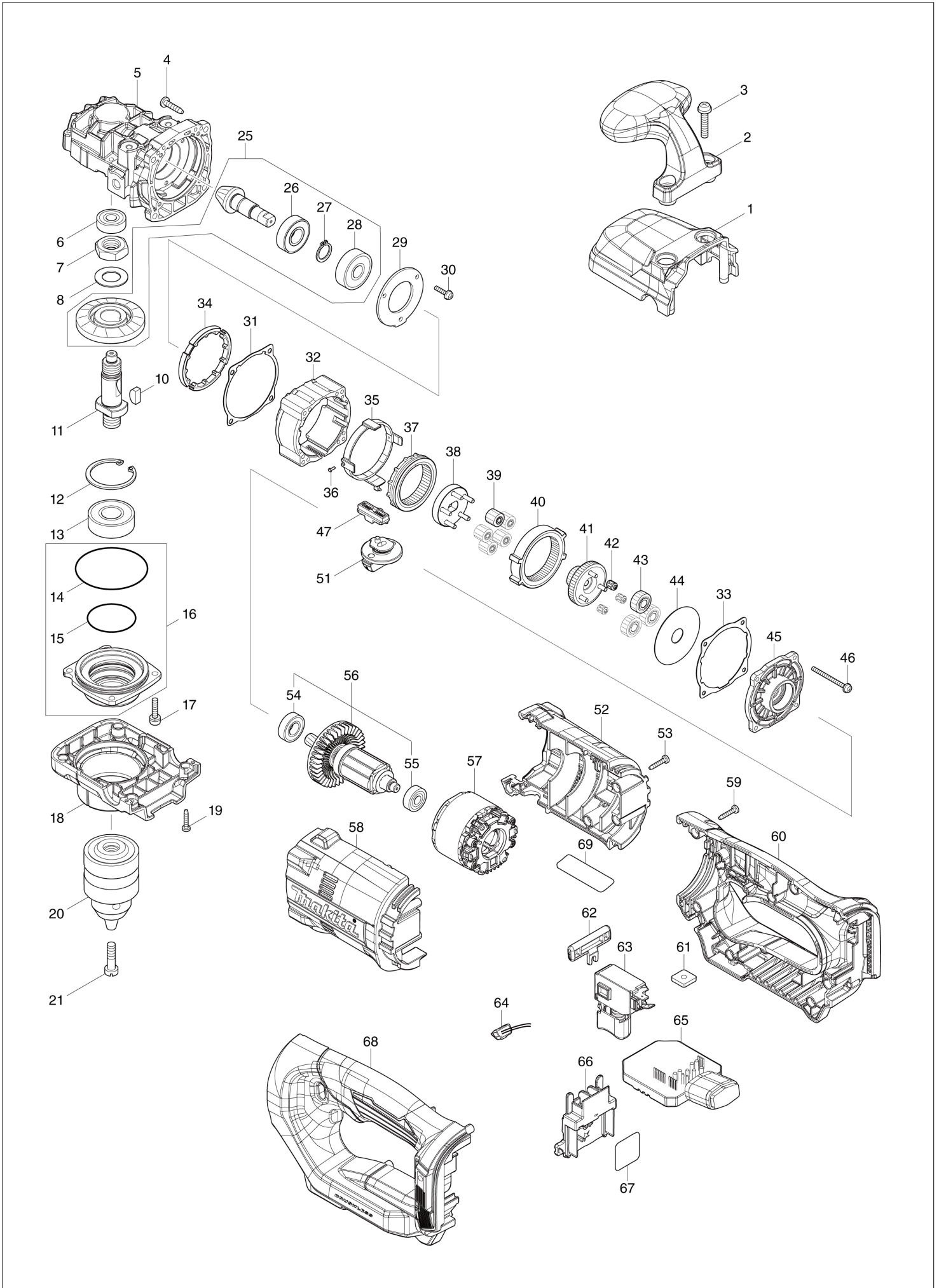
Diagram / Parts List

DDA450

13MM CORDLESS ANGLE DRILL



(TH) DDA450 / 13MM CORDLESS ANGLE DRILL



| | |
|-----------|-----------------|
| TH | THAILAND |
|-----------|-----------------|

DDA450 / 13MM CORDLESS ANGLE DRILL

| Item | Sub | Parts No. | Parts Description | Qty | I/C | E/C No. | Close No. | Remark |
|-------|-----|-----------|-----------------------------|-----|-----|---------|-----------|--------|
| 001 | | 183S72-5 | COVER SET | 1 | | | | |
| | D10 | | INC. 18 | | | | | |
| 002 | | 413433-4 | FRONT HANDLE | 1 | | | | |
| 003 | | 911243-8 | PAN HEAD SCREW M5X25 | 2 | | | | |
| 004 | | 266326-2 | TAPPING SCREW 4X18 | 4 | | | | |
| 005 | | 312B07-9 | GEAR HOUSING | 1 | | | | |
| 006 | | 211032-4 | BALL BEARING 608ZZ | 1 | | | | |
| 007 | | 252299-5 | HEX. NUT M14 | 1 | | | | |
| 008 | | 253536-0 | FLAT WASHER 14 | 1 | | | | |
| 010 | | 254032-1 | WOODRUFF KEY 5 | 1 | | | | |
| 011 | | 327774-1 | SPINDLE | 1 | | | | |
| 012 | | 962153-2 | RETAINING RING R-35 | 1 | | | | |
| 013 | | 211228-7 | BALL BEARING 6202DDW | 1 | | | | |
| 014 | | 213656-2 | O RING 53 | 1 | | | | |
| 015 | | 213A04-1 | O RING 35 | 1 | | | DB996 | |
| 015-1 | | 213343-3 | O RING 35 | 1 | O | DB996 | | |
| 016 | | 136450-4 | BEARING BOX ASSY | 1 | | | DB996 | |
| | D10 | | INC. 14,15 | | | | DB996 | |
| 016-1 | | 136566-5 | BEARING BOX ASS'Y | 1 | O | DB996 | | |
| | D10 | | INC. 14,15 | | | DB996 | | |
| 017 | | 911126-2 | PAN HEAD SCREW M4X16 | 4 | | | | |
| 018 | | 183S72-5 | COVER SET | 1 | | | | |
| | D10 | | INC. 1 | | | | | |
| 019 | | 266130-9 | TAPPING SCREW BIND PT 3X16 | 4 | | | | |
| 020 | | 763183-4 | DRILL CHUCK S13 | 1 | | | | |
| 021 | | 251425-3 | - FLAT HEAD SCREW M6X22 | 1 | | | | |
| 025 | | 136451-2 | SPIRAL BEVEL GEAR ASSY | 1 | | | | |
| | D10 | | INC. 26-28 | | | | | |
| 026 | | 211131-2 | BALL BEARING 6001DDW | 1 | | | | |
| 027 | | 961052-5 | RETAINING RING S-12 | 1 | | | | |
| 028 | | 211067-5 | BALL BEARING 6200ZZ | 1 | | | | |
| 029 | | 285044-3 | BEARING RETAINER 48 | 1 | | | | |
| 030 | | 911018-5 | PAN HEAD SCREW M3X12 | 3 | | | | |
| 031 | | 422683-0 | GASKET A | 1 | | | | |
| 032 | | 413437-6 | GEAR CASE | 1 | | | | |
| 033 | | 422684-8 | GASKET B | 1 | | | | |
| 034 | | 313367-0 | SPEED CHANGE CAM | 1 | | | | |
| 035 | | 413439-2 | SPEED CHANGE RING | 1 | | | | |
| 036 | | 256952-5 | PIN 1.4 | 2 | | | | |
| 037 | | 227881-9 | INTERNAL SPUR GEAR 48 | 1 | | | | |
| 038 | | 141A18-9 | CARRIER COMPLETE | 1 | | | | |
| 039 | | 227880-1 | SPUR GEAR 13 | 5 | | | | |
| 040 | | 227878-8 | INTERNAL SPUR GEAR 62 | 1 | | | | |
| 041 | | 141A17-1 | SPUR GEAR 22-48 COMPLETE | 1 | | | | |
| 042 | | 212131-5 | NEEDLE CAGE 307 | 3 | | | | |
| 043 | | 227877-0 | SPUR GEAR 25 | 3 | | | | |
| 044 | | 253493-2 | FLAT WASHER 12 | 1 | | | | |
| 045 | | 413438-4 | MOTOR BRACKET | 1 | | | | |
| 046 | | 911063-0 | PAN HEAD SCREW M3X35 | 4 | | | | |
| 047 | | 127066-6 | CHANGE LEVER ASSEMBLY | 1 | | | | |
| | C10 | 232518-5 | COMPRESSION SPRING 4 | 2 | | | | |
| 051 | | 127282-0 | SPEED CHANGE LEVER ASSEMBLY | 1 | | | | |
| | C10 | 213118-0 | O RING 12 | 1 | | | | |
| 052 | | 183S73-3 | MOTOR HOUSING SET | 1 | | | | |
| | D10 | | INC. 58 | | | | | |
| 053 | | 266130-9 | TAPPING SCREW BIND PT 3X16 | 6 | | | | |
| 054 | | 210069-8 | BALL BEARING 6900DDW | 1 | | | | |
| 055 | | 211022-7 | BALL BEARING 607ZZ | 1 | | | | |
| 056 | | 519688-0 | ROTOR ASSY | 1 | | | | |
| | D10 | | INC. 54,55 | | | | | |
| 057 | | 629A60-5 | STATOR | 1 | | | | |
| 058 | | 183S73-3 | MOTOR HOUSING SET | 1 | | | | |
| | D10 | | INC. 52 | | | | | |
| 059 | | 266130-9 | TAPPING SCREW BIND PT 3X16 | 9 | | | | |
| 060 | | 183S70-9 | HANDLE SET | 1 | | | | |

A:DDA450ZK(N)
B:DDA450RTE(H)

Interchange
O : Yes
X : No
< : the new part can be substituted for the current.
> : the current part can be substituted for the new.
S : Interchangeable as a set.

