



TH	THAILAND
----	----------

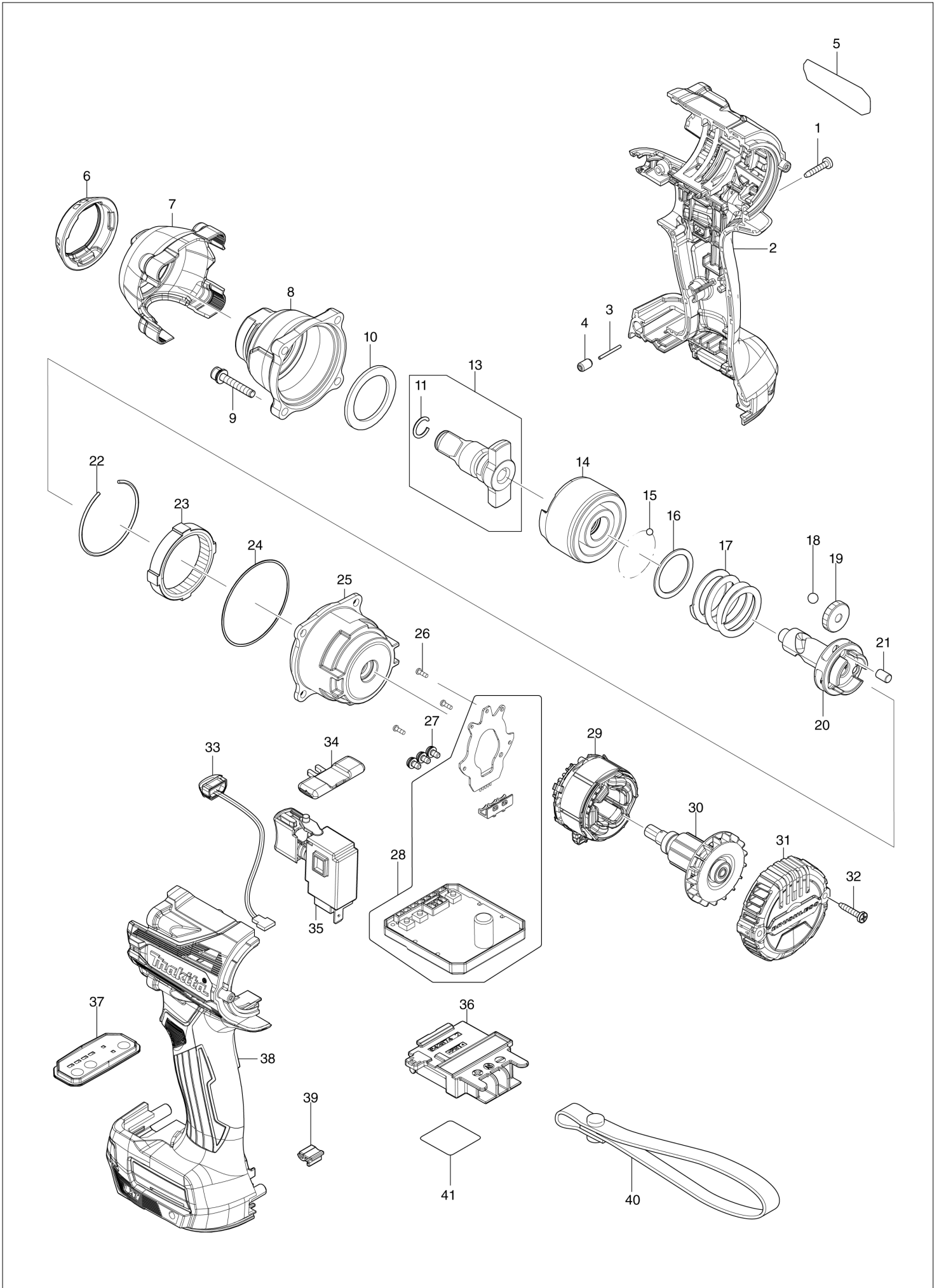
Diagram / Parts List

DTW300

CORDLESS IMPACT WRENCH



(TH) DTW300 / CORDLESS IMPACT WRENCH



TH	THAILAND
-----------	-----------------

DTW300 / CORDLESS IMPACT WRENCH

Item	Sub	Parts No.	Parts Description	Qty	I/C	E/C No.	Close No.	Remark
001		266130-9	TAPPING SCREW BIND PT 3X16	8				
002		183P27-2	HOUSING SET	1				
	C10	263005-3	RUBBER PIN 6	2				
	C20	252126-6	HEX. LOCK NUT M4-7	2				
	D10		INC. 38					
003		268284-8	PIN 1.5	1				
004		263036-2	RUBBER PIN 5	1				
005		857A18-6	DTW300 NAME PLATE	1				
006		422584-2	BUMPER	1				
007		412556-5	HAMMER CASE COVER	1				
008		140T36-8	HAMMER CASE COMPLETE	1				
009		265472-8	HEX. SOCKET HEAD BOLT M4X25	4				
010		261154-0	NYLON WASHER 28	1				
011		231907-1	RING SPRING 10	1				
013		136223-5	ANVIL E ASSY	1			DB557	
	D10		INC. 11				DB557	
013-1		136223-5	ANVIL E ASSY	1	O	DB557	DC598	
	D10		INC. 11			DB557	DC598	
013-2		136223-5	ANVIL E ASSY	1	O	DC598		
	D10		INC. 11			DC598		
014		327572-3	HAMMER	1				
015		216001-0	STEEL BALL 3.5	24				
016		267175-0	FLAT WASHER 24	1				
017		232615-7	COMPRESSION SPRING 25	1				
018		216011-7	STEEL BALL 5.6	2				
019		227338-0	SPUR GEAR 22	3				
020		327573-1	SPINDLE	1				
021		268311-1	PIN 5	3				
022		233910-8	RING SPRING 43	1				
023		227337-2	INTERNAL GEAR 51	1				
024		213785-1	O-RING 49	1				
025		140T37-6	INTERNAL GEAR CASE COMPLETE	1				
026		266490-9	TAPPING SCREW PT 2X6	3				
027		652069-6	FLAT HEAD SCREW M3X6	3				
028		620C64-2	CONTROLLER	1				
029		629477-6	STATOR	1				
030		619626-3	ROTOR	1				
031		412555-7	REAR COVER	1				
032		266130-9	TAPPING SCREW BIND PT 3X16	2				
033		620521-2	LED CIRCUIT	1				
034		455053-8	F/R CHANGE LEVER	1				
035		651443-5	SWITCH C3JR-4B	1				
036		643874-2	TERMINAL	1				
037		140T43-1	SWITCH PLATE COMPLETE	1				
	C10	8012S9-8	SWITCH LABEL	1				
038		183P27-2	HOUSING SET	1				
	C10	263005-3	RUBBER PIN 6	2				
	C20	252126-6	HEX. LOCK NUT M4-7	2				
	D10		INC. 2					
039		424517-3	CUSHION	1				
041		857A26-7	DTW300 SERIAL NUMBER LABEL	1				
A01		266622-8	+ TRUSS HEAD SCREW M4X12	1				
A02		346317-0	HOOK	1				
A03B		821550-0	CONNECTOR PLASTIC CASE (TYPE2)	1				
	C10	453974-8	LATCH	4				
A03C		821550-0	CONNECTOR PLASTIC CASE (TYPE2)	1				
	C10	453974-8	LATCH	4				
A04B		835L10-8	INNER TRAY	1				
A04C		835L10-8	INNER TRAY	1				
A05B		8013Y9-6	DTW300RTJ PLASTIC CASE LABEL	2			Z49142	
A05C		8029V5-2	DTW300FJX3 PLASTIC CASE LABEL	2			Z49142	
A05-1B		8042J7-8	DTW300RTJ PLASTIC CASE LABEL	2	O	Z49142		
A05-1C		8042K2-5	DTW300FJX3 PLASTIC CASE LABEL	2	O	Z49142		
A06B		8013Y8-8	DTW300RTJ INDICATION LABEL	1				
A06C		8029V4-4	DTW300FJX3 INDICATION LABEL	1				

B:DTW300RTJ(H)
C:DTW300FJX3(H)

Interchange
O : Yes
X : No
< : the new part can be substituted for the current.
> : the current part can be substituted for the new.
S : Interchangeable as a set.

