



TH	THAILAND
----	----------

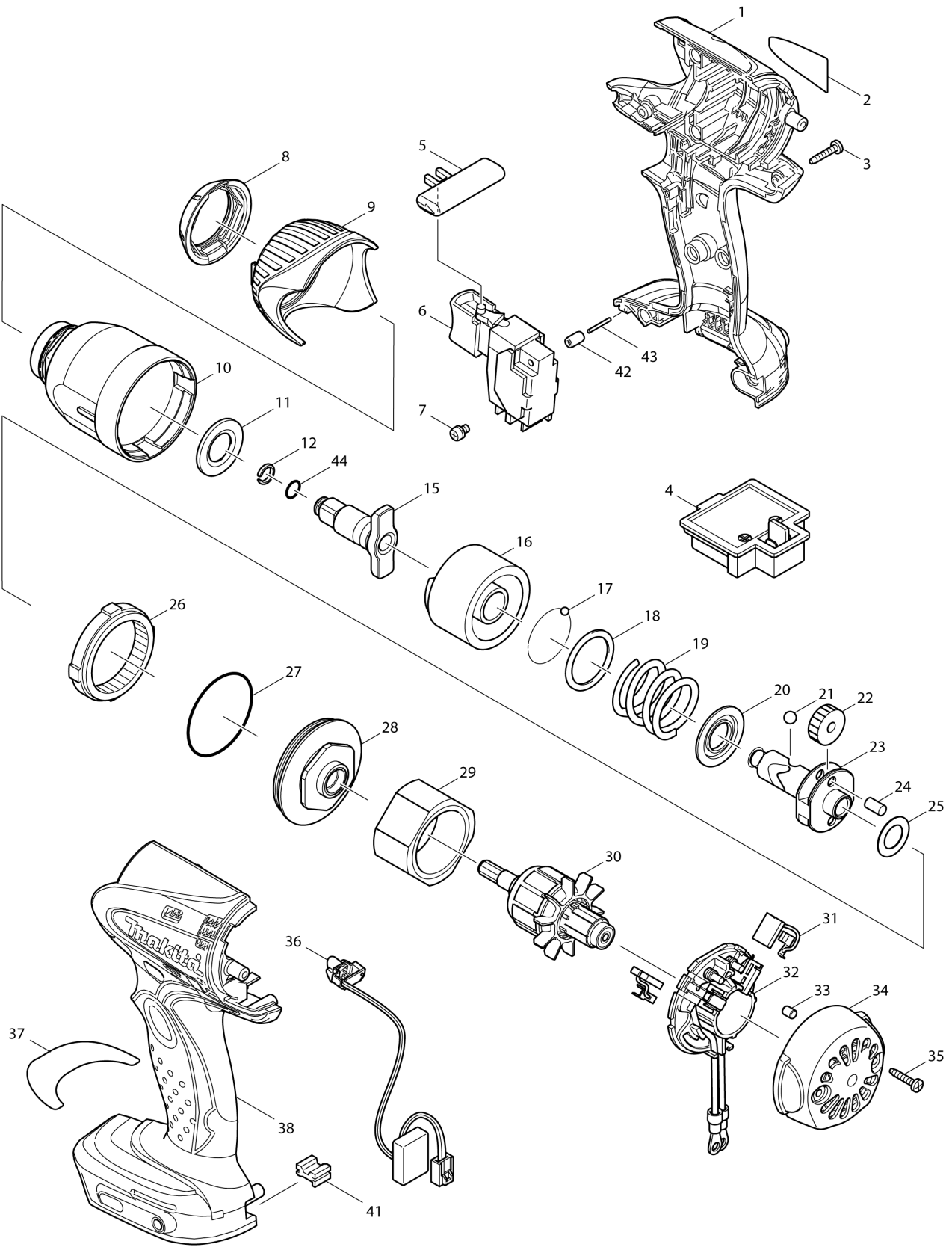
Diagram / Parts List

DTW253

CORDLESS IMPACT WRENCH



(TH) DTW253 / CORDLESS IMPACT WRENCH



TH	THAILAND
-----------	-----------------

DTW253 / CORDLESS IMPACT WRENCH

Item	Sub	Parts No.	Parts Description	Qty	I/C	E/C No.	Close No.	Remark
001		188243-5	HOUSING SET	1				
	C10	263005-3	RUBBER PIN 6	2				
	D10		INC. 38					
002		850B15-7	DTW253 NAME PLATE	1				
003		266130-9	TAPPING SCREW BIND PT 3X16	8				
004		643852-2	TERMINAL	1				
005		419041-9	F/R CHANGE LEVER	1				
006		650652-3	SWITCH TG553FSB-1B	1				
007		652045-0	+PAN HEAD SCREW M3.5X5	2				
008		424369-2	BUMPER	1				
009		452393-5	HAMMER CASE COVER	1				
010		154590-6	HAMMER CASE COMPLETE	1				
011		261108-7	NYLON WASHER 14	1				
012		233943-3	RING SPRING 8	1				
015		324921-5	ANVIL	1				
016		324810-4	HAMMER	1				
017		216001-0	STEEL BALL 3.5	24			D0295	
017-1		216040-0	STEEL BALL 3.5	24	O	D0295		
018		267175-0	FLAT WASHER 24	1				
019		234074-1	COMPRESSION SPRING 25	1				
020		267766-7	CUP WASHER 14	1				
021		216011-7	STEEL BALL 5.6	2				
022		226336-1	SPUR GEAR 22	2			B3583	
022-1		227362-3	SPUR GEAR 22	2	<	B3583		
023		324552-0	SPINDLE	1				
024		256253-1	PIN 5	2				
025		267212-0	FLAT WASHER 12	1				
026		227150-8	INTERNAL GEAR 51	1				
027		213507-9	O RING 40	1				
028-1		143035-9	BEARING BOX COMPLETE	1				
029		638495-3	YORK UNIT	1				
030-1		619375-2	ARMATURE	1				
031		196855-0	CARBON BRUSH CB-448	1			B1033	
031-1		196855-0	CARBON BRUSH CB-448	1	S	B1033	C4463	
031-2		198887-3	CARBON BRUSH CB-5	1	S	C4463		
032		638498-7	BRUSH HOLDER COMPLETE	1			B1033	
032-1		632G49-0	BRUSH HOLDER COMPLETE	1	S	B1033	C4463	
	C10	689181-9	SPACER	2		B1033	C4463	
	D10		INC. 31			B1033	C4463	
032-2		632L18-1	BRUSH HOLDER COMPLETE	1	<	C4463		
	D10		INC. 31			C4463		
033		263032-0	RUBBER PIN 4	2				
034		418981-8	REAR COVER	1				
035		266130-9	TAPPING SCREW BIND PT 3X16	2				
036		631693-8	LIGHT CIRCUIT	1				
038		188243-5	HOUSING SET	1				
	C10	263005-3	RUBBER PIN 6	2				
	D10		INC. 1					
041-1		424476-1	CUSHION	1				
042		263036-2	RUBBER PIN 5	1				
043		268184-2	PIN 1.5	1				
044		213960-9	O RING 5	1				
A01A		***DC18RC	DC18RC FAST CHARGER	1				
A02-1A		196015-4	BATTERY BL1830 SET	2			B2535	
A02-2A		197600-6	BATTERY BL1830B SET	2	<	B2535	C2803	
A02-3A		199283-8	BATTERY BL1830B SET	2	<	C2803	D0159	
A02-4A		199283-8	BATTERY BL1830B SET	2	<	D0159		
A03A		141205-4	PLASTIC CARRYING CASE	1				
	C10	324207-7	SHAFT	1				
	C20	413098-2	PLATE	4				
	C30	417724-5	LATCH	2				
	C40	419215-2	PLASTIC CASE LID	1				
	C50	419216-0	HANDLE	1				
A04A		450128-8	BATTERY COVER	1				
A05A		803P01-1	DTW253RFE MODEL NO. LABEL	1				

A:DTW253RFE(H)

Interchange
O : Yes
X : No
< : the new part can be substituted for the current.
> : the current part can be substituted for the new.
S : Interchangeable as a set.