



|    |          |
|----|----------|
| TH | THAILAND |
|----|----------|

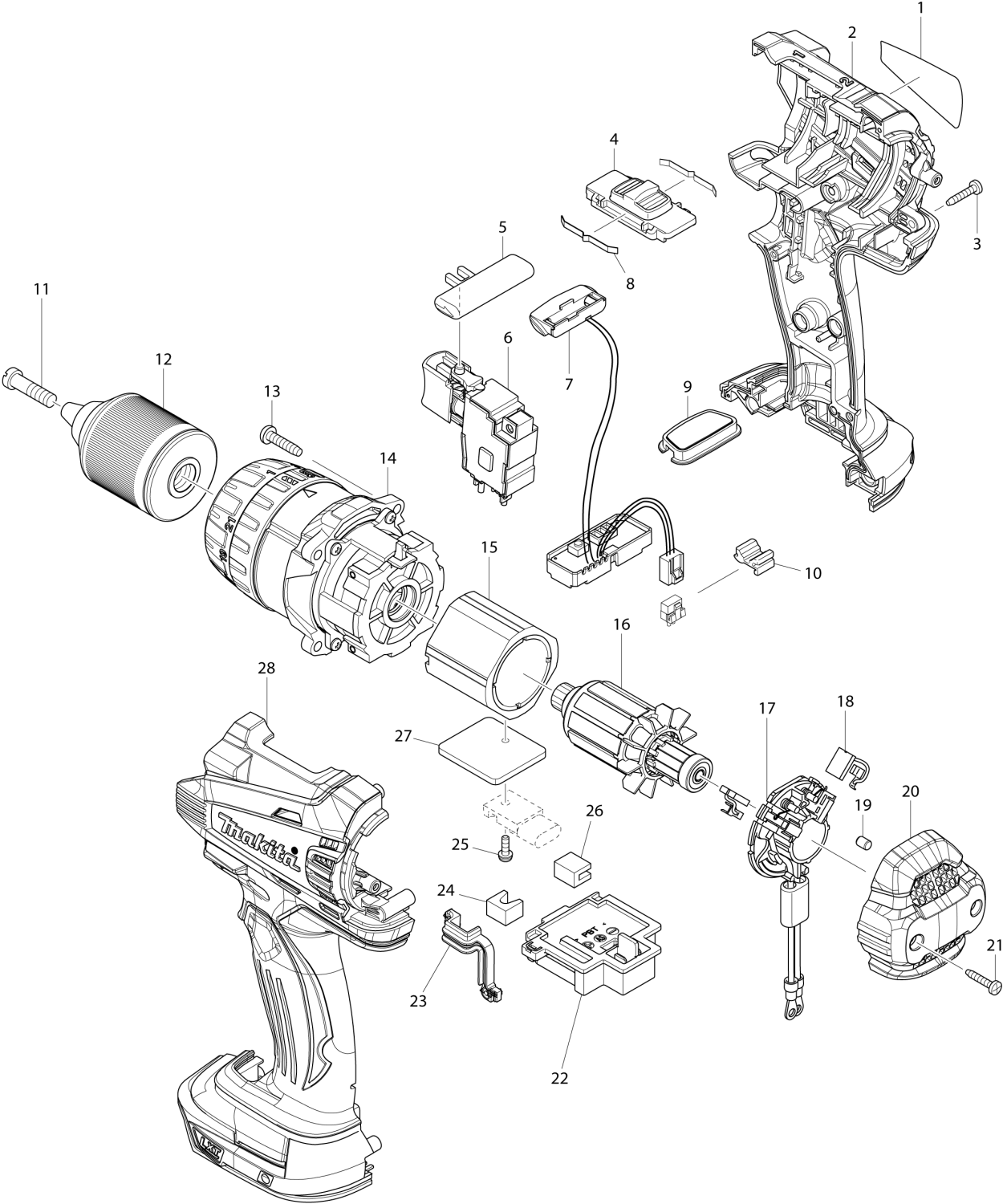
# Diagram / Parts List

**DDF458**

**CORDLESS DRIVER DRILL**



(TH) DDF458 / CORDLESS DRIVER DRILL



|           |                 |
|-----------|-----------------|
| <b>TH</b> | <b>THAILAND</b> |
|-----------|-----------------|

## DDF458 / CORDLESS DRIVER DRILL

| Item   | Sub | Parts No. | Parts Description           | Qty | I/C | E/C No. | Close No. | Remark |
|--------|-----|-----------|-----------------------------|-----|-----|---------|-----------|--------|
| 001    |     | 814Y91-3  | DDF458 NAME PLATE           | 1   |     |         |           |        |
| 002    |     | 187430-3  | HOUSING SET                 | 1   |     |         |           |        |
|        | C10 | 263005-3  | RUBBER PIN 6                | 2   |     |         |           |        |
|        | C20 | 252126-6  | HEX. LOCK NUT M4-7          | 2   |     |         |           |        |
|        | D10 |           | INC. 28                     |     |     |         |           |        |
| 003    |     | 266130-9  | TAPPING SCREW BIND PT 3X16  | 7   |     |         |           |        |
| 004    |     | 126100-9  | SPEED CHANGE LEVER ASSEMBLY | 1   |     |         |           |        |
|        | C10 | 233438-6  | COMPRESSION SPRING 4        | 2   |     |         |           |        |
| 005    |     | 419250-0  | F/R CHANGE LEVER            | 1   |     |         |           |        |
| 006    |     | 650682-4  | SWITCH TG573FSB-3           | 1   |     |         | A1290     |        |
| 006-1  |     | 650724-4  | SWITCH TG573FSB-3           | 1   | <   | A1290   |           |        |
| 007    |     | 620138-1  | LIGHT CIRCUIT               | 1   |     |         |           |        |
| 008    |     | 232220-0  | LEAF SPRING                 | 2   |     |         |           |        |
| 009    |     | 140963-9  | SWITCH PLATE COMPLETE       | 1   |     |         |           |        |
| 010    |     | 424476-1  | CUSHION                     | 1   |     |         |           |        |
| 011    |     | 251468-5  | - FLAT HEAD SCREW M6X22     | 1   |     |         |           |        |
| 012    |     | 766015-4  | KEYLESS DRILL CHUCK 13      | 1   |     |         | B9672     |        |
| 012-1  |     | 763248-2  | KEYLESS DRILL CHUCK 13      | 1   | <   | B9672   | DA353     |        |
| 012-2  |     | 763252-1  | KEYLESS DRILL CHUCK 13      | 1   | O   | DA353   |           |        |
| 013    |     | 265995-6  | TAPPING SCREW 4X18          | 4   |     |         | B9466     |        |
| 013-1  |     | 266326-2  | TAPPING SCREW 4X18          | 4   | O   | B9466   |           |        |
| 014    |     | 126098-0  | GEAR ASSEMBLY               | 1   |     |         |           |        |
| 015    |     | 638989-8  | YOKE UNIT                   | 1   |     |         |           |        |
| 016    |     | 619301-1  | ARMATURE                    | 1   |     |         | B9649     |        |
| 016-1  |     | 619496-0  | ARMATURE                    | 1   | <   | B9649   |           |        |
| 017    |     | 638614-1  | BRUSH HOLDER COMPLETE       | 1   |     |         | B9649     |        |
| 017-1  |     | 632K62-2  | BRUSH HOLDER COMPLETE       | 1   | <   | B9649   |           |        |
| 018    |     | 195021-6  | CARBON BRUSH SET CB-440     | 1   |     |         |           |        |
| 019    |     | 263032-0  | RUBBER PIN 4                | 2   |     |         |           |        |
| 020    |     | 453394-6  | REAR COVER                  | 1   |     |         |           |        |
| 021    |     | 266130-9  | TAPPING SCREW BIND PT 3X16  | 2   |     |         |           |        |
| 022    |     | 644808-8  | TERMINAL                    | 1   |     |         |           |        |
| 023    |     | 424430-5  | SEAL                        | 1   |     |         |           |        |
| 024    |     | 423422-1  | SPONGE A                    | 1   |     |         |           |        |
| 025    |     | 911013-5  | PAN HEAD SCREW M3X10        | 1   |     |         |           |        |
| 026    |     | 423423-9  | SPONGE B                    | 1   |     |         |           |        |
| 027    |     | 689176-2  | HEAT SINK                   | 1   |     |         |           |        |
| 028    |     | 187430-3  | HOUSING SET                 | 1   |     |         |           |        |
|        | C10 | 263005-3  | RUBBER PIN 6                | 2   |     |         |           |        |
|        | C20 | 252126-6  | HEX. LOCK NUT M4-7          | 2   |     |         |           |        |
|        | D10 |           | INC. 2                      |     |     |         |           |        |
| A01    |     | 126130-0  | GRIP ASSEMBLY               | 1   |     |         | A3342     |        |
|        | C10 | 154935-8  | GRIP 36 COMPLETE            | 1   |     |         | A3342     |        |
|        | C20 | 266750-9  | SQUARE BOLT M8X100          | 1   |     |         | A3342     |        |
|        | C30 | 346566-9  | GRIP SPRING 60              | 1   |     |         | A3342     |        |
|        | C40 | 453584-1  | GRIP BASE 60                | 1   |     |         | A3342     |        |
| A01-1  |     | 123258-5  | GRIP ASSEMBLY               | 1   | <   | A3342   |           |        |
|        | C10 | 154935-8  | GRIP 36 COMPLETE            | 1   |     | A3342   |           |        |
|        | C20 | 266899-5  | SQUARE BOLT M8X140          | 1   |     | A3342   |           |        |
|        | C30 | 346566-9  | GRIP SPRING 60              | 1   |     | A3342   |           |        |
|        | C40 | 455189-3  | GRIP BASE 60                | 1   |     | A3342   |           |        |
| A02    |     | 251314-2  | + SCREW M4X12               | 2   |     |         |           |        |
| A03    |     | 346317-0  | HOOK                        | 1   |     |         |           |        |
| A04    |     | 452947-8  | BIT HOLDER                  | 1   |     |         |           |        |
| A05    |     | 784637-8  | +/- BIT 2-45                | 2   |     |         |           |        |
| A06C   |     | ***DC18RC | DC18RC FAST CHARGER         | 1   |     |         |           |        |
| A06E   |     | ***DC18RC | DC18RC FAST CHARGER         | 1   |     |         |           |        |
| A07C   |     | 196015-4  | BATTERY BL1830 SET          | 2   |     |         | A5588     |        |
| A07E   |     | 196015-4  | BATTERY BL1830 SET          | 3   |     |         | A5588     |        |
| A07-1C |     | 196015-4  | BATTERY BL1830 SET          | 2   | O   | A5588   | B2535     |        |
| A07-1E |     | 196015-4  | BATTERY BL1830 SET          | 3   | O   | A5588   | B2535     |        |
| A07-2C |     | 197600-6  | BATTERY BL1830B SET         | 2   | <   | B2535   | C2803     |        |
| A07-2E |     | 197600-6  | BATTERY BL1830B SET         | 3   | <   | B2535   | C2803     |        |
| A07-3C |     | 199283-8  | BATTERY BL1830B SET         | 2   | <   | C2803   | D0159     |        |
| A07-3E |     | 199283-8  | BATTERY BL1830B SET         | 3   | <   | C2803   | D0159     |        |

C:DDF458RFE(H)  
E:DDF458RFE3(H)

Interchange  
O : Yes  
X : No  
< : the new part can be substituted for the current.  
> : the current part can be substituted for the new.  
S : Interchangeable as a set.

