



TH	THAILAND
----	----------

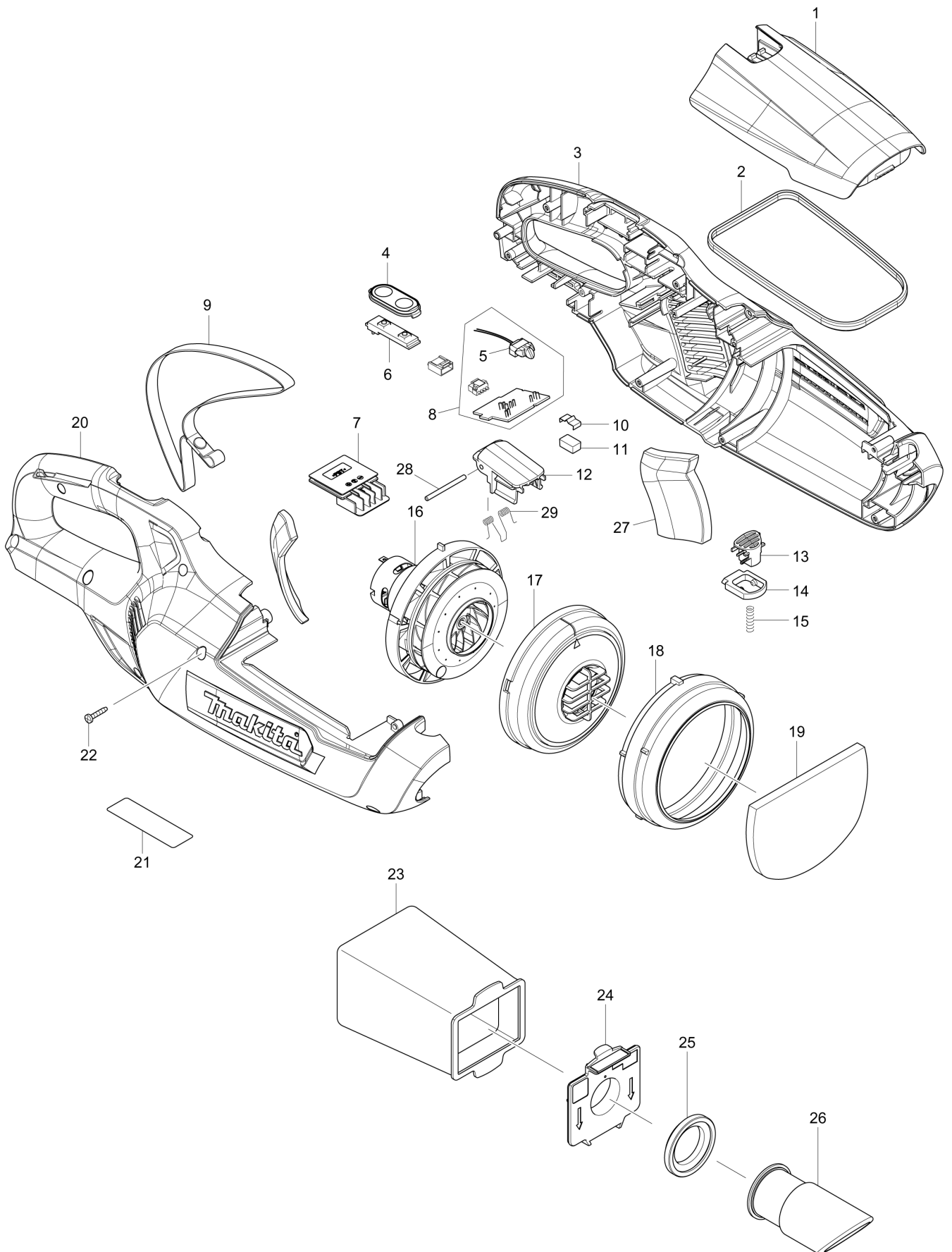
# Diagram / Parts List

**CL107FD**

**CORDLESS CLEANER**



(TH) CL107FD / CORDLESS CLEANER



TH	THAILAND
----	----------

### CL107FD / CORDLESS CLEANER

Item	Sub	Parts No.	Parts Description	Qty	I/C	E/C No.	Close No.	Remark
001A		457148-3	FRONT COVER	1				
001B		457284-5	FRONT COVER	1				
001C		457284-5	FRONT COVER	1				
001D		457148-3	FRONT COVER	1				
002A		424912-7	SEAL	1				
002D		424912-7	SEAL	1				
003A		183E87-8	HOUSING SET	1				
003B		183E89-4	HOUSING SET	1				
003C		183E89-4	HOUSING SET	1				
003D		183E87-8	HOUSING SET	1				
	D10		INC. 20					
004		144096-2	SWITCH PLATE COMPLETE	1				
005		620601-4	LED CIRCUIT	1			D5628	
005-1		620E97-9	LED CIRCUIT	1	<	D5628		
006		631973-2	SWITCH UNIT	1				
007		644813-5	TERMINAL	1				
008		632H50-1	CONTROLLER UNIT	1			C3992	
	D10		INC. 5				C3992	
008-1		632N06-0	CONTROLLER UNIT	1	<	C3992	D5628	
	D10		INC. 5			C3992	D5628	
008-2		632R94-1	CONTROLLER UNIT	1	<	D5628		
	D10		INC. 5			D5628		
009A		163400-6	HANDSTRAP	1		DB918		
009D		163400-6	HANDSTRAP	1		DB918		
010		232264-0	LEAF SPRING	1				
011		424367-6	RUBBER	1				
012A		457151-4	FRONT COVER JOINT	1				
012B		455249-1	FRONT COVER JOINT	1				
012C		455249-1	FRONT COVER JOINT	1				
012D		457151-4	FRONT COVER JOINT	1				
013A		457150-6	BUTTON	1				
013B		452363-4	BUTTON	1				
013C		452363-4	BUTTON	1				
013D		457150-6	BUTTON	1				
014		452352-9	STOPPER	1				
015		233344-5	COMPRESSION SPRING 4	1				
016		123293-3	MOTOR ASSEMBLY	1				
017		454084-4	FAN COVER	1				
018		424320-2	RUBBER RING	1				
019		424804-0	SPONGE SHEET 76-110	1				
020A		183E87-8	HOUSING SET	1				
020B		183E89-4	HOUSING SET	1				
020C		183E89-4	HOUSING SET	1				
020D		183E87-8	HOUSING SET	1				
	D10		INC. 3					
021		852S30-9	CL107FD NAME PLATE	1				
022		266429-2	TAPPING SCREW 3X16	9				
023		166084-9	DUST BAG	1				
024		143677-9	VALVE STAY COMPLETE	1				
025		424094-5	PACKING	1				
026A		457149-1	INLET	1				
026B		451400-1	INLET (BLUE)	1				
026C		451400-1	INLET (BLUE)	1				
026D		457149-1	INLET	1				
027		424913-5	SPONGE SHEET 35-70	2				
028		268271-7	PIN 3	1				
029		233580-3	TORSION SPRING 4	1				
A01A		123486-2	FLOOR T-NOZZLE 28 WHI	1				
A01B		123488-8	FLOOR T-NOZZLE 28 BLU	1				
A01C		123488-8	FLOOR T-NOZZLE 28 BLU	1				
A01D		123486-2	FLOOR T-NOZZLE 28 WHI	1				
	C10	451410-8	ROLLER	4				
	C20	268208-4	PIN 3	4				
	C30	424096-1	WIPER	1				
A02A		451240-7	SASH NOZZLE 28 WHI	1				

A:CL107FDZW(N)  
 B:CL107FDWM(H)  
 C:CL107FDZ(N)  
 D:CL107FDWMW(H)

Interchange  
 O : Yes  
 X : No  
 < : the new part can be substituted for the current.  
 > : the current part can be substituted for the new.  
 S : Interchangeable as a set.

