



| | |
|----|----------|
| TH | THAILAND |
|----|----------|

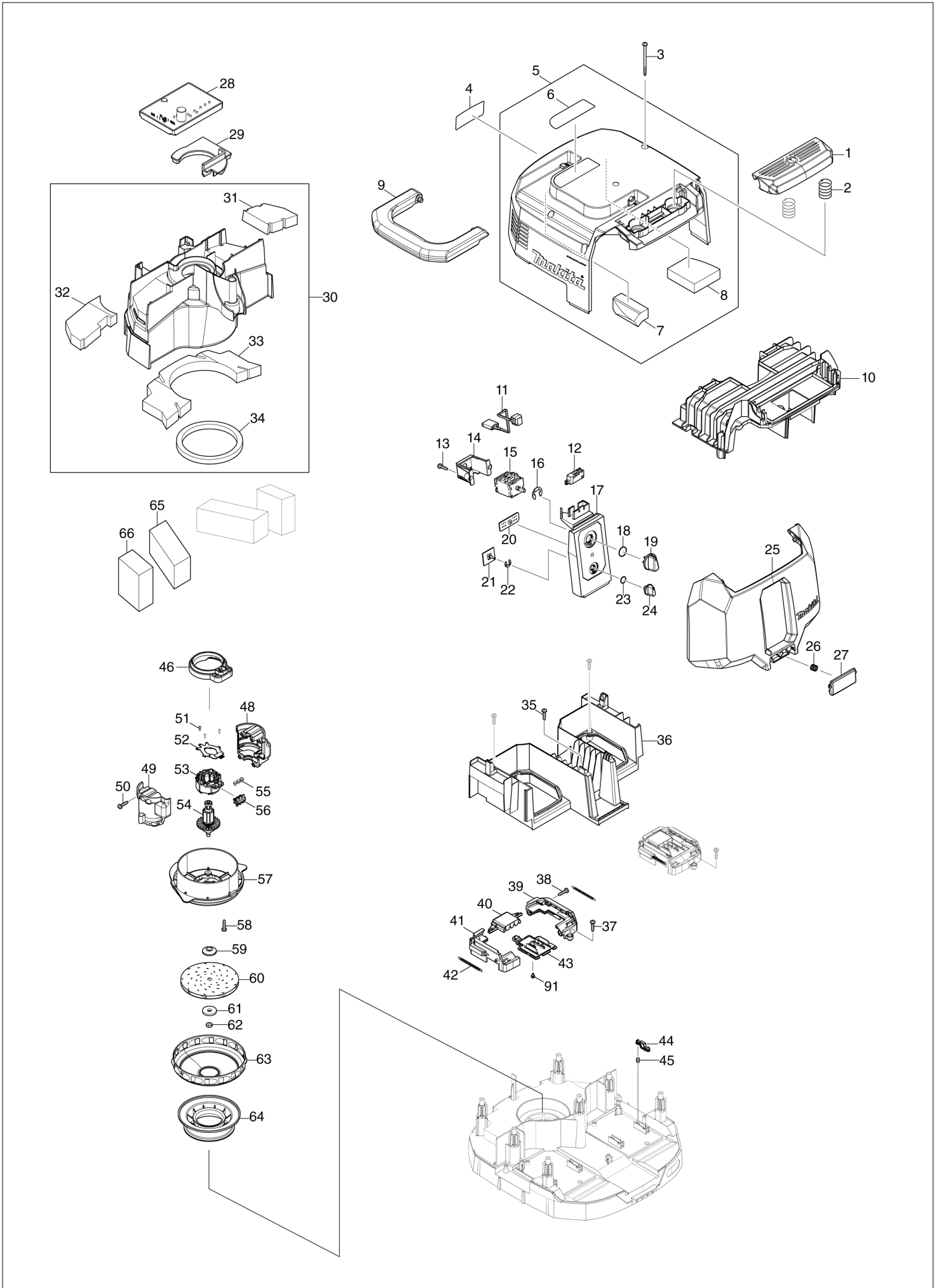
Diagram / Parts List

VC003GL

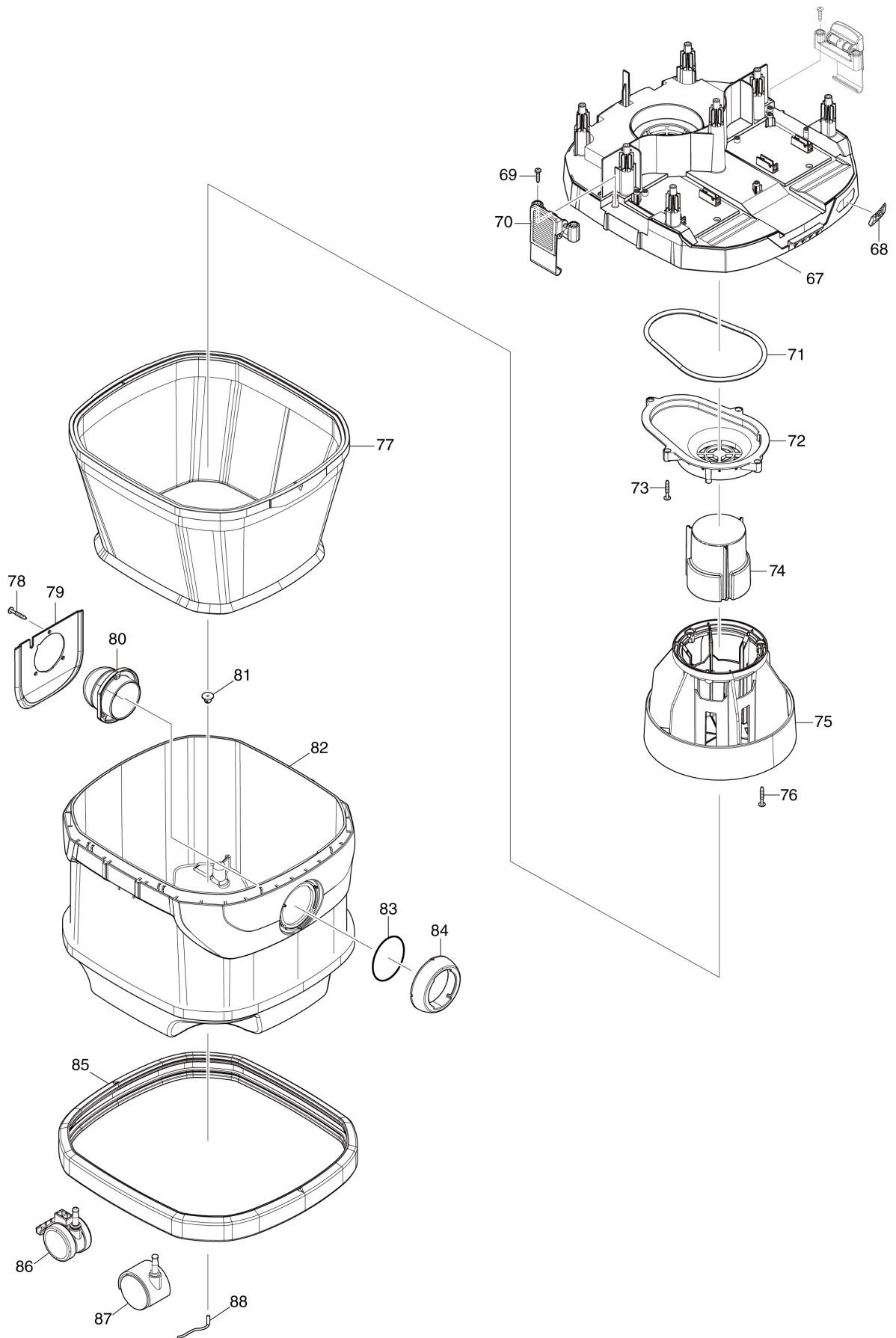
CORDLESS VACUUM CLEANER



(TH) VC003GL / CORDLESS VACUUM CLEANER



(TH) VC003GL / CORDLESS VACUUM CLEANER



| | |
|----|----------|
| TH | THAILAND |
|----|----------|

VC003GL / CORDLESS VACUUM CLEANER

| Item | Sub | Parts No. | Parts Description | Qty | I/C | E/C No. | Close No. | Remark |
|------|-----|-----------|-----------------------|-----|-----|---------|-----------|--------|
| 001 | | 413B26-9 | SWITCH BUTTON | 1 | | | | |
| 002 | | 234273-5 | COMPRESSION SPRING 20 | 2 | | | | |
| 003 | | 266340-8 | TAPPING SCREW 4X65 | 7 | | | | |
| 004 | | 8112L2-5 | VC003GL NAME PLATE | 1 | | | | |
| 005 | | 141F78-1 | COWLING COMPLETE | 1 | | | | |
| | D10 | | INC. 6-8 | | | | | |
| 006 | | 813A18-6 | CAUTION LABEL | 1 | | | | |
| 007 | | 422796-7 | TOP DAMPER A | 1 | | | | |
| 008 | | 422797-5 | TOP DAMPER B | 1 | | | | |
| 009 | | 413B27-7 | GRIP | 1 | | | | |
| 010 | | 413B33-2 | UPPER HOUSING | 1 | | | | |
| 011 | | 638A20-6 | LEAD UNIT | 1 | | | | |
| 012 | | 651910-0 | SWITCH D2VW-01-3HS | 1 | | | | |
| 013 | | 266326-2 | TAPPING SCREW 4X18 | 2 | | | | |
| 014 | | 451343-7 | SWITCH HOLDER | 1 | | | | |
| 015 | | 650013-7 | SWITCH 1703.4002 | 1 | | | | |
| 016 | | 961062-2 | STOP RING E-12 | 1 | | | | |
| 017 | | 141F75-7 | SWITCH BASE COMPLETE | 1 | | | | |
| | C10 | 8040N1-6 | INDICATION LABEL | 1 | | | | |
| 018 | | 213176-6 | O RING 14 | 1 | | | | |
| 019 | | 455733-6 | SWITCH LEVER | 1 | | | | |
| 020 | | 620F40-4 | INDICATION CIRCUIT | 1 | | | | |
| 021 | | 620D39-7 | SUB CONTROLLER | 1 | | | | |
| 022 | | 961013-5 | STOP RING E-7 | 1 | | | | |
| 023 | | 213054-0 | O RING 9 | 1 | | | | |
| 024 | | 451344-5 | SWITCH DIAL | 1 | | | | |
| 025 | | 413B28-5 | BATTERY COVER | 1 | | | | |
| 026 | | 231456-8 | COMPRESSION SPRING 7 | 1 | | | | |
| 027 | | 413B30-8 | BATTERY COVER HOOK | 1 | | | | |
| 028 | | 620F37-3 | CONTROLLER | 1 | | | | |
| 029 | | 422795-9 | RUBBER CAP | 1 | | | | |
| 030 | | 141F84-6 | SEPARATOR COMPLETE | 1 | | | | |
| | D10 | | INC. 31-34 | | | | | |
| 031 | | 422802-8 | BAND DUMPER E | 1 | | | | |
| 032 | | 422801-0 | BAND DUMPER D | 1 | | | | |
| 033 | | 422799-1 | BAND DUMPER B | 1 | | | | |
| 034 | | 422804-4 | SEAL A | 1 | | | | |
| 035 | | 266326-2 | TAPPING SCREW 4X18 | 3 | | | | |
| 036 | | 413B31-6 | LOWER HOUSING | 1 | | | | |
| 037 | | 266326-2 | TAPPING SCREW 4X18 | 4 | | | | |
| 038 | | 266326-2 | TAPPING SCREW 4X18 | 4 | | | | |
| 039 | | 183U06-0 | TERMINAL CASE SET | 2 | | | | |
| | D10 | | INC. 41 | | | | | |
| 040 | | 413B40-5 | TERMINAL COVER | 2 | | | | |
| 041 | | 183U06-0 | TERMINAL CASE SET | 2 | | | | |
| | D10 | | INC. 39 | | | | | |
| 042 | | 232722-6 | TENSION SPRING 4 | 4 | | | | |
| 043 | | 632T08-2 | TERMINAL UNIT | 2 | | | | |
| 044 | | 413B41-3 | LOCK LEVER | 4 | | | | |
| 045 | | 232472-3 | COMPRESSION SPRING 2 | 4 | | | | |
| 046 | | 422794-1 | RUBBER RING | 1 | | | | |
| 048 | | 183U05-2 | MOTOR HOUSING SET | 1 | | | | |
| | D10 | | INC. 49 | | | | | |
| 049 | | 183U05-2 | MOTOR HOUSING SET | 1 | | | | |
| | D10 | | INC. 48 | | | | | |
| 050 | | 266326-2 | TAPPING SCREW 4X18 | 4 | | | | |
| 051 | | 266490-9 | TAPPING SCREW PT 2X6 | 3 | | | | |
| 052 | | 620F39-9 | CONTROLLER B | 1 | | | | |
| 053 | | 629A83-3 | STATOR | 1 | | | | |
| 054 | | 619704-9 | ROTOR | 1 | | | | |
| 055 | | 652069-6 | FLAT HEAD SCREW M3X6 | 3 | | | | |
| 056 | | 632S88-2 | LEAD UNIT | 1 | | | | |
| 057 | | 413B45-5 | FAN BASE | 1 | | | | |
| 058 | | 266326-2 | TAPPING SCREW 4X18 | 3 | | | | |
| 059 | | 313062-2 | FLANGE | 1 | | | | |

Interchange
O : Yes
X : No
< : the new part can be substituted for the current.
> : the current part can be substituted for the new.
S : Interchangeable as a set.

