



|    |          |
|----|----------|
| TH | THAILAND |
|----|----------|

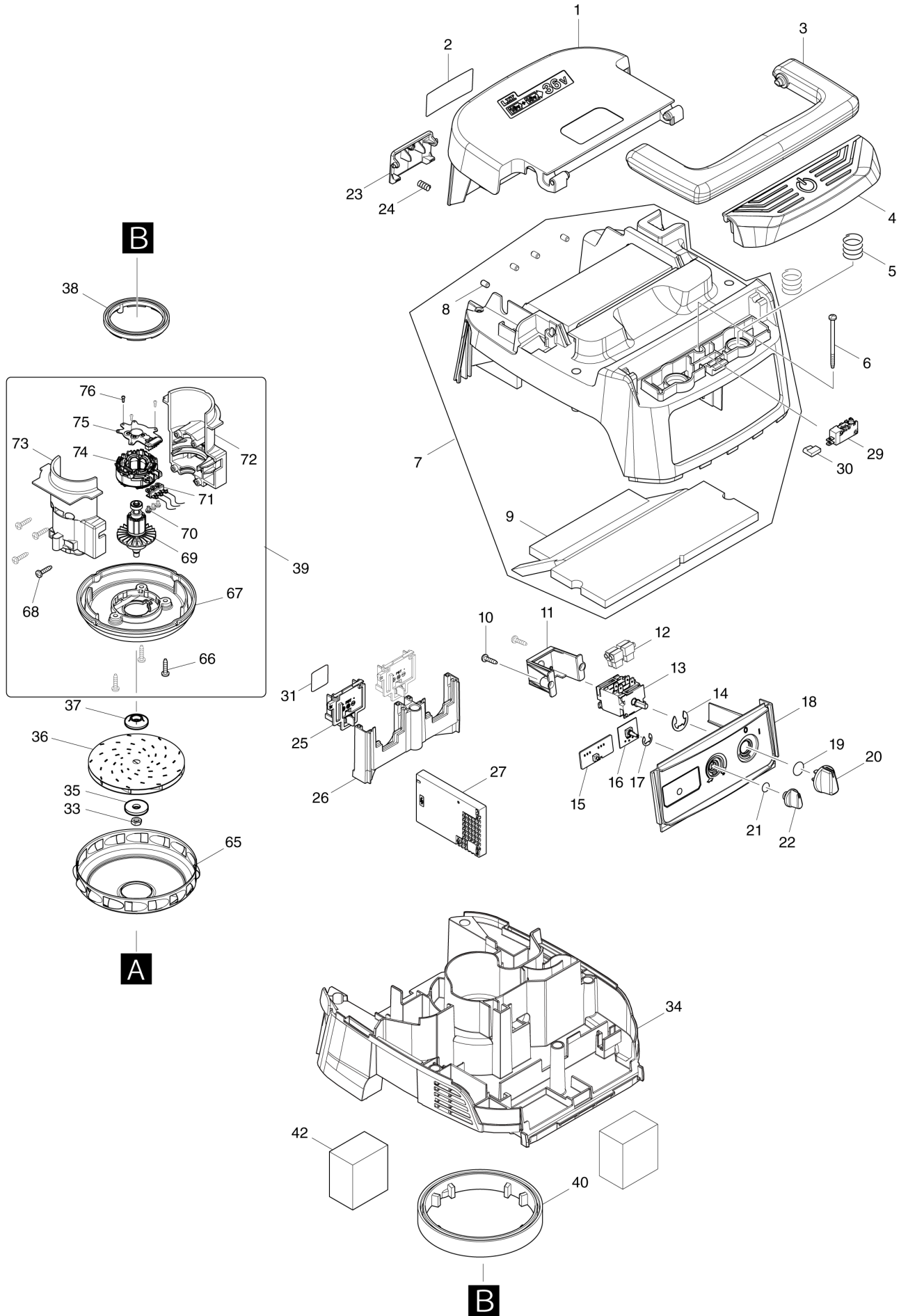
# Diagram / Parts List

**DVC865L**

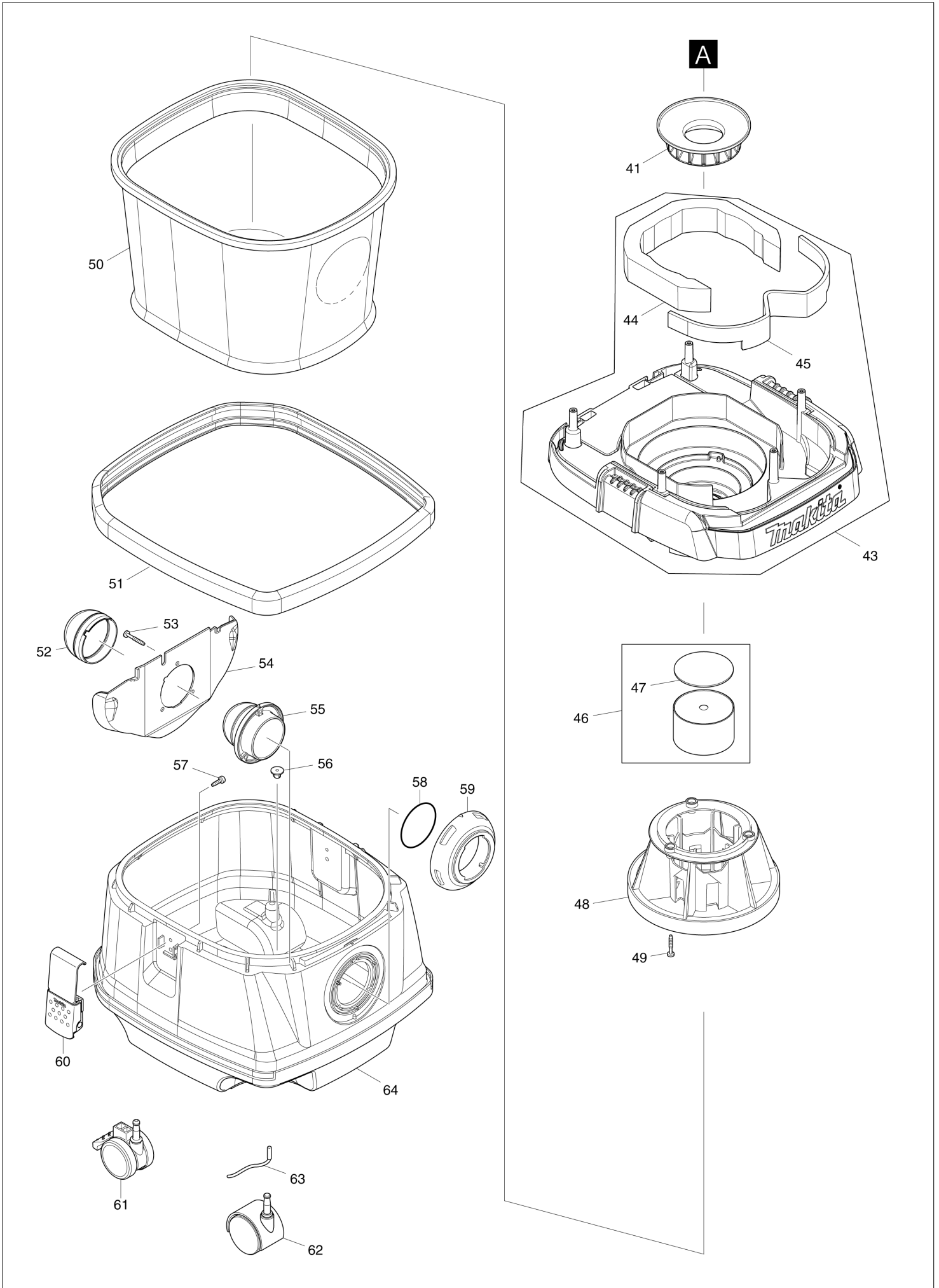
**CORDLESS VACUUM CLEANER**



(TH) DVC865L / CORDLESS VACUUM CLEANER



(TH) DVC865L / CORDLESS VACUUM CLEANER



|    |          |
|----|----------|
| TH | THAILAND |
|----|----------|

## DVC865L / CORDLESS VACUUM CLEANER

| Item | Sub | Parts No. | Parts Description        | Qty | I/C | E/C No. | Close No. | Remark |
|------|-----|-----------|--------------------------|-----|-----|---------|-----------|--------|
| 001  |     | 143174-5  | BATTERY COVER COMPLETE   | 1   |     |         |           |        |
|      | C10 | 891977-8  | CAUTION LABEL            | 1   |     |         |           |        |
| 002  |     | 857B13-2  | DVC865L NAME PLATE       | 1   |     |         |           |        |
| 003  |     | 455734-4  | GRIP                     | 1   |     |         |           |        |
| 004  |     | 459262-1  | SWITCH BUTTON            | 1   |     |         |           |        |
| 005  |     | 234273-5  | COMPRESSION SPRING 20    | 2   |     |         |           |        |
| 006  |     | 266340-8  | TAPPING SCREW 4X65       | 6   |     |         |           |        |
| 007  |     | 144409-7  | COWLING COMPLETE         | 1   |     |         |           |        |
|      | D10 |           | INC. 8,9                 |     |     |         |           |        |
| 008  |     | 263005-3  | RUBBER PIN 6             | 4   |     |         |           |        |
| 009  |     | 424688-6  | TOP DAMPER               | 1   |     |         |           |        |
| 010  |     | 266326-2  | TAPPING SCREW 4X18       | 2   |     |         |           |        |
| 011  |     | 451343-7  | SWITCH HOLDER            | 1   |     |         |           |        |
| 012  |     | 686023-8  | RECEPTACLE SLEEVE        | 4   |     |         |           |        |
| 013  |     | 650622-2  | SWITCH                   | 1   |     |         |           |        |
| 014  |     | 961062-2  | STOP RING E-12           | 1   |     |         |           |        |
| 015  |     | 620649-6  | LED CIRCUIT              | 1   |     |         |           |        |
| 016  |     | 631922-9  | SUB CONTROLLER           | 1   |     |         |           |        |
| 017  |     | 961013-5  | STOP RING E-7            | 1   |     |         |           |        |
| 018  |     | 144479-6  | SWITCH BASE COMPLETE     | 1   |     |         |           |        |
|      | C10 | 812D41-6  | INDICATION LABEL         | 1   |     |         |           |        |
| 019  |     | 213176-6  | O RING 14                | 1   |     |         |           |        |
| 020  |     | 455733-6  | SWITCH LEVER             | 1   |     |         |           |        |
| 021  |     | 213054-0  | O RING 9                 | 1   |     |         |           |        |
| 022  |     | 451344-5  | SWITCH DIAL              | 1   |     |         |           |        |
| 023  |     | 455728-9  | BATTERY COVER HOOK       | 1   |     |         |           |        |
| 024  |     | 231240-1  | COMPRESSION SPRING 7     | 1   |     |         |           |        |
| 025  |     | 644808-8  | TERMINAL                 | 2   |     |         |           |        |
| 026  |     | 455729-7  | TERMINAL BASE            | 1   |     |         |           |        |
| 027  |     | 620639-9  | CONTROLLER               | 1   |     |         |           |        |
| 029  |     | 651910-0  | SWITCH D2VW-01-3HS       | 1   |     |         |           |        |
| 030  |     | 686039-3  | RECEPTACLE SLEEVE        | 1   |     |         |           |        |
| 031  |     | 857B21-3  | DVC865L SERIAL NO. LABEL | 1   |     |         |           |        |
| 033  |     | 252268-6  | HEX. NUT M6              | 1   |     |         |           |        |
| 034  |     | 412581-6  | SEPARATOR                | 1   |     |         |           |        |
| 035  |     | 253752-4  | FLAT WASHER 8            | 1   |     |         |           |        |
| 036  |     | 240178-9  | FAN 104                  | 1   |     |         |           |        |
| 037  |     | 313062-2  | FLANGE                   | 1   |     |         |           |        |
| 038  |     | 424685-2  | RUBBER RING 60           | 1   |     |         |           |        |
| 039  |     | 127602-8  | MOTOR ASSEMBLY           | 1   |     |         |           |        |
|      | D10 |           | INC. 66-76               |     |     |         |           |        |
| 040  |     | 424686-0  | RUBBER RING 120          | 1   |     |         |           |        |
| 041  |     | 422590-7  | SUPPORT RING             | 1   |     |         |           |        |
| 042  |     | 424690-9  | REAR BLOCK FILTER        | 2   |     |         |           |        |
| 043  |     | 143175-3  | TANK COVER COMPLETE      | 1   |     |         |           |        |
|      | D10 |           | INC. 44,45               |     |     |         |           |        |
| 044  |     | 424691-7  | BAND DAMPER              | 1   |     |         |           |        |
| 045  |     | 424689-4  | FRONT DAMPER             | 1   |     |         |           |        |
| 046  |     | 158166-1  | FLOAT COMPLETE           | 1   |     |         |           |        |
|      | D10 |           | INC. 47                  |     |     |         |           |        |
| 047  |     | 423365-7  | SPONGE SEAL 70           | 1   |     |         |           |        |
| 048  |     | 419725-9  | FLOAT CAGE               | 1   |     |         |           |        |
| 049  |     | 266374-1  | TAPPING SCREW 4X25       | 3   |     |         |           |        |
| 050  |     | 140248-3  | CLOTH FILTER COMPLETE    | 1   |     |         |           |        |
| 051  |     | 422148-2  | BUMPER                   | 1   |     |         |           |        |
| 052  |     | 424382-0  | RUBBER HOLDER            | 1   |     |         |           |        |
| 053  |     | 266257-5  | TAPPING SCREW 4X28       | 3   |     |         |           |        |
| 054  |     | 419351-4  | HOLDER PLATE             | 1   |     |         |           |        |
| 055  |     | 419350-6  | HOLDER                   | 1   |     |         |           |        |
| 056  |     | 421468-1  | CORD SEAL                | 1   |     |         |           |        |
| 057  |     | 266192-7  | TAPPING SCREW 4X14       | 4   |     |         |           |        |
| 058  |     | 213655-4  | O RING 56                | 1   |     |         |           |        |
| 059  |     | 451348-7  | INLET                    | 1   |     |         |           |        |
| 060  |     | 168537-4  | HOOK                     | 2   |     |         |           |        |
| 061  |     | 168535-8  | CASTER 50                | 2   |     |         |           |        |

Interchange  
O : Yes  
X : No  
< : the new part can be substituted for the current.  
> : the current part can be substituted for the new.  
S : Interchangeable as a set.

