



TH	THAILAND
----	----------

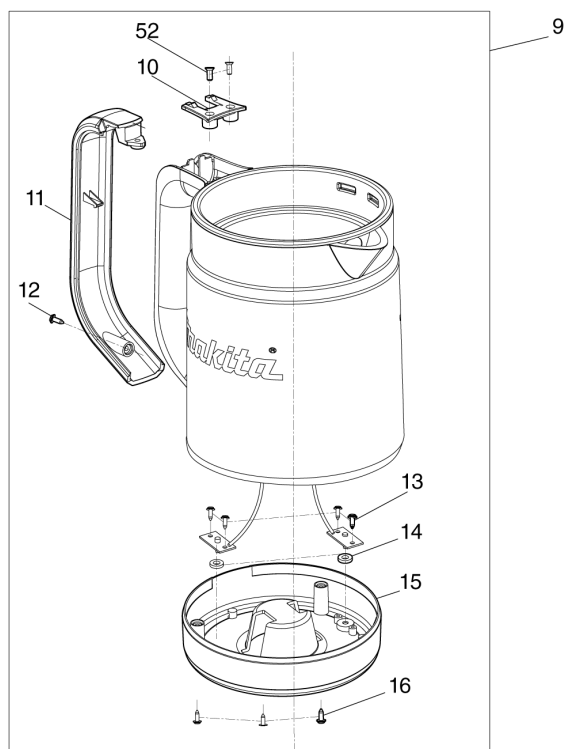
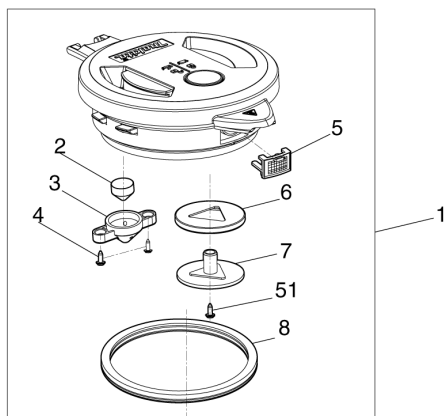
# Diagram / Parts List

**DKT360**

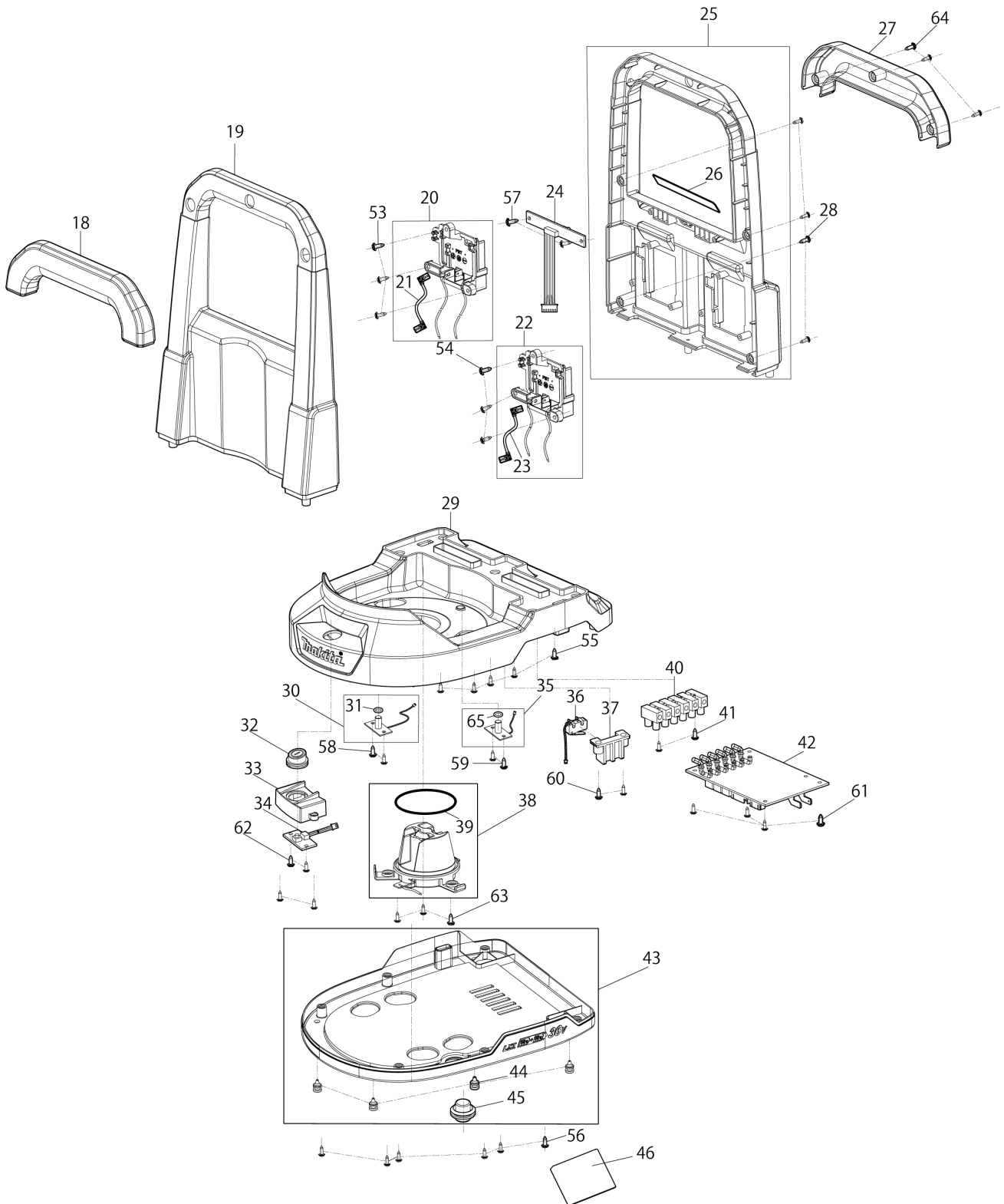
**CORDLESS KETTLE**



(TH) DKT360 / CORDLESS KETTLE



(TH) DKT360 / CORDLESS KETTLE



<b>TH</b>	<b>THAILAND</b>
-----------	-----------------

### DKT360 / CORDLESS KETTLE

Item	Sub	Parts No.	Parts Description	Qty	I/C	E/C No.	Close No.	Remark
001		KF00000076	TOP COVER ASSEMBLY(BLUE)	1				
	D10		INC. 2-8,51					
002		KF00000078	PLUG	1				
003		KF00000079	PLUG COVER	1				
004		KF00000080	COUNTERSUNK SCREW ST3X12	2				
005		KF00000081	FILTER NET	1				
006		KF00000082	SILICONE OF WATER STOPPER	1				
007		KF00000083	WATER STOPPPER	1				
008		KF00000084	SEAL RING OF COVER	1				
009		KF00000085	KETTLE ASSEMBLY(BLUE)	1				
	D10		INC. 10-16,52					
010		KF00000087	HANDLE CLIP	1				
011		KF00000088	HANDLE COVER	1				
012		KF00000002	TAPPING SCREW ST3X12	1				
013		KF00000089	TAPPING SCREW ST3X8	4				
014		KF00000090	SEAL RING	2				
015		KF00000091	BOTTOM COVER	1				
016		KF00000092	H.L. SOCKET HEAD SCREW T10	3				
017		KF00000098	KETTLE NAME PLATE	1				
018		KF00000103	HANDLE COVER L(BLUE)	1				
019		KF00000104	HANDLE BASE L(BLUE)	1				
020		KF00000106	UNIVERSAL BATTERY HOLDER A	1				
	D10		INC. 21					
021		KF00000107	LEAD UNIT A	1				
022		KF00000108	UNIVERSAL BATTERY HOLDER B	1				
	D10		INC. 23					
023		KF00000109	LEAD UNIT B	1				
024		KF00000110	BATTERY QUANTITY DISPLY BOARD	1				
025		KF00000111	HANDLE BASE R ASSEMBLY(BLUE)	1				
	D10		INC. 26					
026		KF00000113	BATTERY-QUANTITY FILM	1				
027		KF00000114	HANDLE COVER R	1				
028		KF00000115	SCREW ST3X10	4				
029		KF00000116	BASE(BLUE)	1				
030		KF00000118	NTC BOTTOM CONTACT PAD A ASSY	1				
	D10		INC. 31					
031		KF00000119	SEAL RING	1				
032		KF00000120	BUTTON	1				
033		KF00000121	PCB SWITCH SUPPORT	1				
034		KF00000122	SWITCH BOARD	1				
035		KF00000123	NTC BOTTOM CONTACT PAD B ASSY	1				
	D10		INC. 65					
036		KF00000124	MICRO-SWITCH ASSEMBLY	1				
037		KF00000125	MICRO-SWITCH SUPPORT	1				
038		KF00000126	COUPLER ASSEMBLY	1				
	D10		INC. 39					
039		KF00000127	COUPLER BASE SEAL RING	1				
040		KF00000128	TERMIANL	1				
041		KF00000129	SCREW ST3X14	2				
042		KF00000130	MAIN PCB	1				
043		KF00000131	BASE COVER ASSEMBLY	1				
	D10		INC. 44,45					
044		KF00000028	FOOT	4				
045		KF00000132	SILICONE BUTTON	1				
046		KF00000138	BASE NAMEPLATE	1				
051		KF00000080	COUNTERSUNK SCREW ST3X12	1				
052		KF00000080	COUNTERSUNK SCREW ST3X12	2				
053		KF00000002	TAPPING SCREW ST3X12	3				
054		KF00000002	TAPPING SCREW ST3X12	3				
055		KF00000002	TAPPING SCREW ST3X12	5				
056		KF00000002	TAPPING SCREW ST3X12	6				
057		KF00000089	TAPPING SCREW ST3X8	2				
058		KF00000089	TAPPING SCREW ST3X8	2				
059		KF00000089	TAPPING SCREW ST3X8	2				
060		KF00000089	TAPPING SCREW ST3X8	2				

Interchange  
O : Yes  
X : No  
< : the new part can be substituted for the current.  
> : the current part can be substituted for the new.  
S : Interchangeable as a set.

