



TH	THAILAND
----	----------

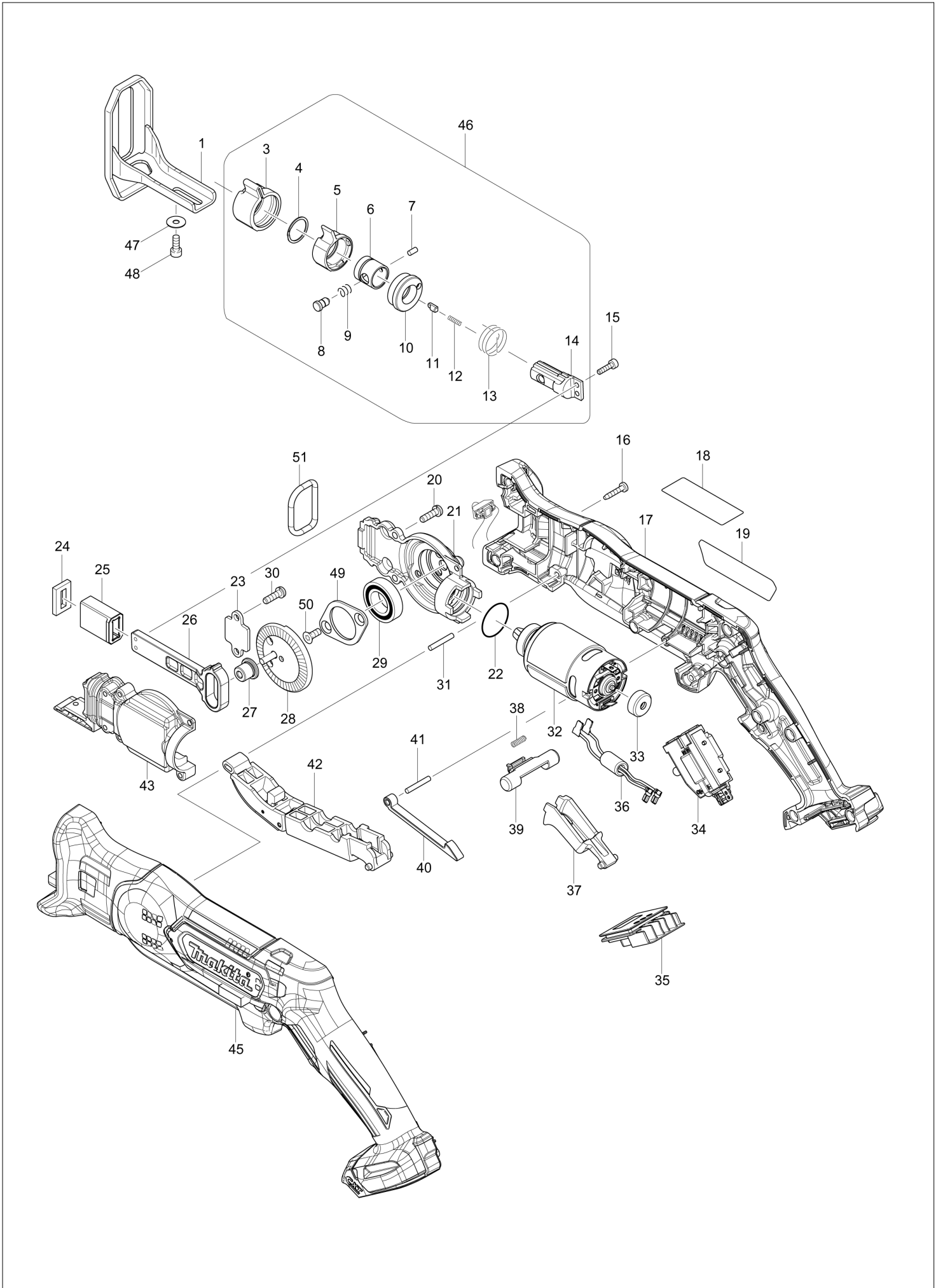
Diagram / Parts List

JR103D

CORDLESS RECIPRO SAW



(TH) JR103D / CORDLESS RECIPRO SAW



TH	THAILAND
----	----------

JR103D / CORDLESS RECIPRO SAW

Item	Sub	Parts No.	Parts Description	Qty	I/C	E/C No.	Close No.	Remark
001		165740-8	SHOE	1				
003		424466-4	PROTECTOR	1				
004		257981-1	RETAINING RING (EXT)16	1				
005		310496-0	DRIVING SLEEVE	1				
006		331963-2	GUIDE SLEEVE	1				
007		268094-3	PIN 3	1				
008		256492-3	SHOULDER PIN 5	1				
009		233345-3	COMPRESSION SPRING 6	1				
010		453071-0	CONNECTING SLEEVE	1				
011A		310495-2	PUSH PIN	1			C0312	
011-1A		310859-0	PUSH PIN	1	O	C0312	C5468	
011-1B		310859-0	PUSH PIN	1			C5468	
011-2		310912-2	PUSH PIN	1	S	C5468		
012		233025-1	COMPRESSION SPRING 2	1			C5468	
012-1		232472-3	COMPRESSION SPRING 2	1	S	C5468		
013		233594-2	TORSION SPRING 17	1				
014		326113-2	BLADE GUIDE	1				
015		265910-0	HEX. SOCKET HEAD BOLT M3X12	2				
016		266429-2	TAPPING SCREW 3X16	10				
017		183C31-3	HOUSING SET	1				
	C10	263002-9	RUBBER PIN 4	3				
	D10		INC. 45					
019		851H90-2	JR103D NAME PLATE	1			Y07746	
019-1		851H89-7	JR103D NAME PLATE	1	<	Y07746		
020		266747-8	PAN HEAD SCREW M4X14 WITH WM	3				
021		319060-4	GEAR HOUSING	1				
022		213961-7	O RING 22	1				
023		346525-3	PLATE	1				
024		443185-3	FELT SEAL	1				
025		313220-0	SLIDER GUIDE	1				
026		313271-3	SLIDER	1				
027		313270-5	COLLARED SLEEVE 4	1				
028		142284-5	GEAR COMPLETE	1				
029		211242-3	BALL BEARING 6902ZZ	1				
030		266747-8	PAN HEAD SCREW M4X14 WITH WM	2				
031		256158-5	PIN 3	1				
032		629165-5	DC MOTOR	1				
033		424467-2	CAP	1				
034		632F47-8	SWITCH UNIT	1				
	C10	620447-8	LED CIRCUIT	1				
035		644813-5	TERMINAL	1				
037		453072-8	SWITCH LEVER R	1				
038		233438-6	COMPRESSION SPRING 4	1				
039		454661-2	LOCK OFF LEVER R	1				
040		313219-5	LINK	1				
041		256158-5	PIN 3	1				
042		141128-6	SWITCH LEVER F COMPLETE	1				
043		319061-2	GEAR HOUSING COVER	1				
045		183C31-3	HOUSING SET	1				
	C10	263002-9	RUBBER PIN 4	3				
	D10		INC. 17					
046		126201-3	BLADE CLAMP ASSEMBLY	1				
	D10		INC. 3-14					
047		253874-0	FLAT WASHER 4	1				
048		922112-8	HEX. SOCKET HEAD BOLT M4X10	1				
049		285738-0	BEARING RETAINER 36	1				
050		265035-0	COUNTERSUNK HEAD SCREW M4X10	2				
051		424597-9	RUBBER RING 23	1				
A01		783201-2	HEX. WRENCH 3	1				
A02		B-20432	RECIPROSAW BLADE 100MM	1				
A03		B-20404	RECIPROSAW BLADE 100MM	1				
A04B		456128-6	BATTERY COVER	1				
A05B		***DC10WD	DC10WD BATTERY CHARGER	1				
	D10		COMPO-PARTS					
A06B		197393-5	BATTERY BL1016 SET	2			C2691	

A:JR103DZ(N)
B:JR103DWYE(H)

Interchange
O : Yes
X : No
< : the new part can be substituted for the current.
> : the current part can be substituted for the new.
S : Interchangeable as a set.

